



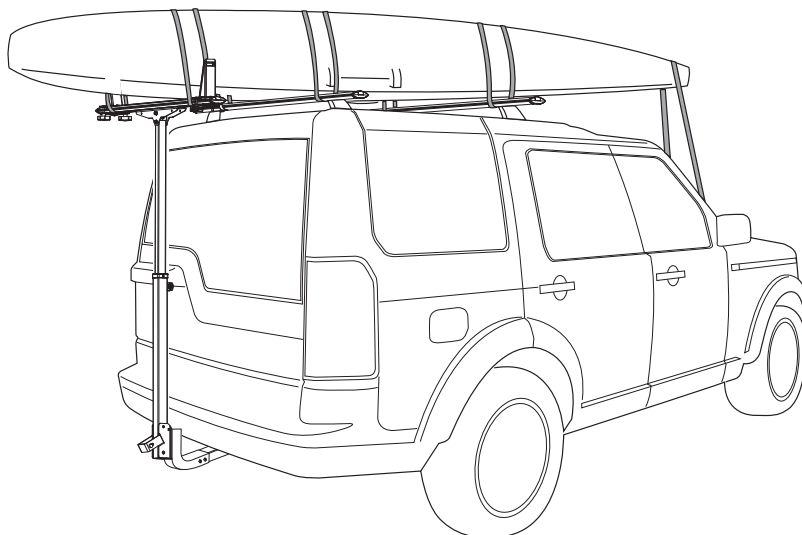
RHINO-RACK

Aerodynamic & Heavy Duty Roof Rack Systems

Rhino-Rack Kayak T-Load 2" Hitch Mount (RTL002)

Important: Please read these instructions carefully prior to installation. Please refer to your fitting instruction to ensure that the roof racks are installed in the correct locations. Check the contents of kit before commencing fitment and report any discrepancies. Place these instructions in the vehicle's glove box after installation is complete.

Layout



Important Information

Maximum carrying capacity: 60kg (132lbs)

Please refer to your vehicle manufacturers handbook for maximum carrying capacity of your roof racks. Always use the lower of the two figures. Load must be evenly distributed over the crossbars.

Warning: This product requires a certain level of manual handling of long and sometimes heavy objects. Ensure that you have assessed the following criteria before carrying out a lift.

Your physical ability and strength.
Your general state of health and fitness
Dimensions of the object, such as height reach and grip areas

Do not attempt to fit the T-load to your vehicle unless you fully understand this fitting instructions. Please direct any questions regarding fitting to the dealer from where the T-load was purchased. **Use only non-stretch fastening ropes or straps.**

Recommendations:

It is essential that all bolt connections be checked after driving a short distance when you first install your roof racks and T-load. Bolt connections should be checked again at regular intervals (once a week is enough, depending on road conditions, usage, loads and distances travelled). You should also check the roof racks and T-Load each time they are re-fitted. Always make sure to fasten your load securely. Please also ensure that all loads are evenly distributed and that the centre of gravity is kept as low as possible. Long loads (e.g. canoes and kayaks) must be secured front and rear with non-stretch fastening ropes or straps.

Roof racks must be removed when putting vehicle through an automatic car wash.

Caution: The handling characteristics of the vehicle changes when you transport a load on the roof. For safety reasons we recommend you exercise extreme care when transporting wind-resistant loads. Special consideration must be taken into account when cornering and braking.



Rhino-Rack Kayak T-Load 2" Hitch Mount (RTL002)

Parts List

Item	Component Name	Qty
1	Main Support	1
2	M8 Button Head Cap Screw Bolt	3
3	M8 Flat Washer	6
4	M8 Nut	3
5	M12 Button Head Cap Screw Bolt	1
6	M12 Flat Washer	2
7	M12 Nut	1
8	M10 HT Cap Screw	1
9	10mm x 55mm Rubber Sleeve	1
10	Locking Pin	1
11	Top Tube	1
12	Bottom Tube	1
13	Allen Key Set (Med, Large)	2
14	Spanner	1
15	Protective Mat	1
16	Back Stop Pin	1
17	8mm x 30mm Rubber Sleeve	1
18	Back Stop R Clip	1
19	M10 Flat Washer	2
20	M10 Nut	1
21	Hitch Bolt 1/2" - 13 x 3.25"	1
22	Flat Washer 13.5mm x 27mm	1
23	Spring Washer 1/2"	1
24	Hitch Pin R-clip	1
25	Fitting Instruction	1

Crossbar Fitting Kit

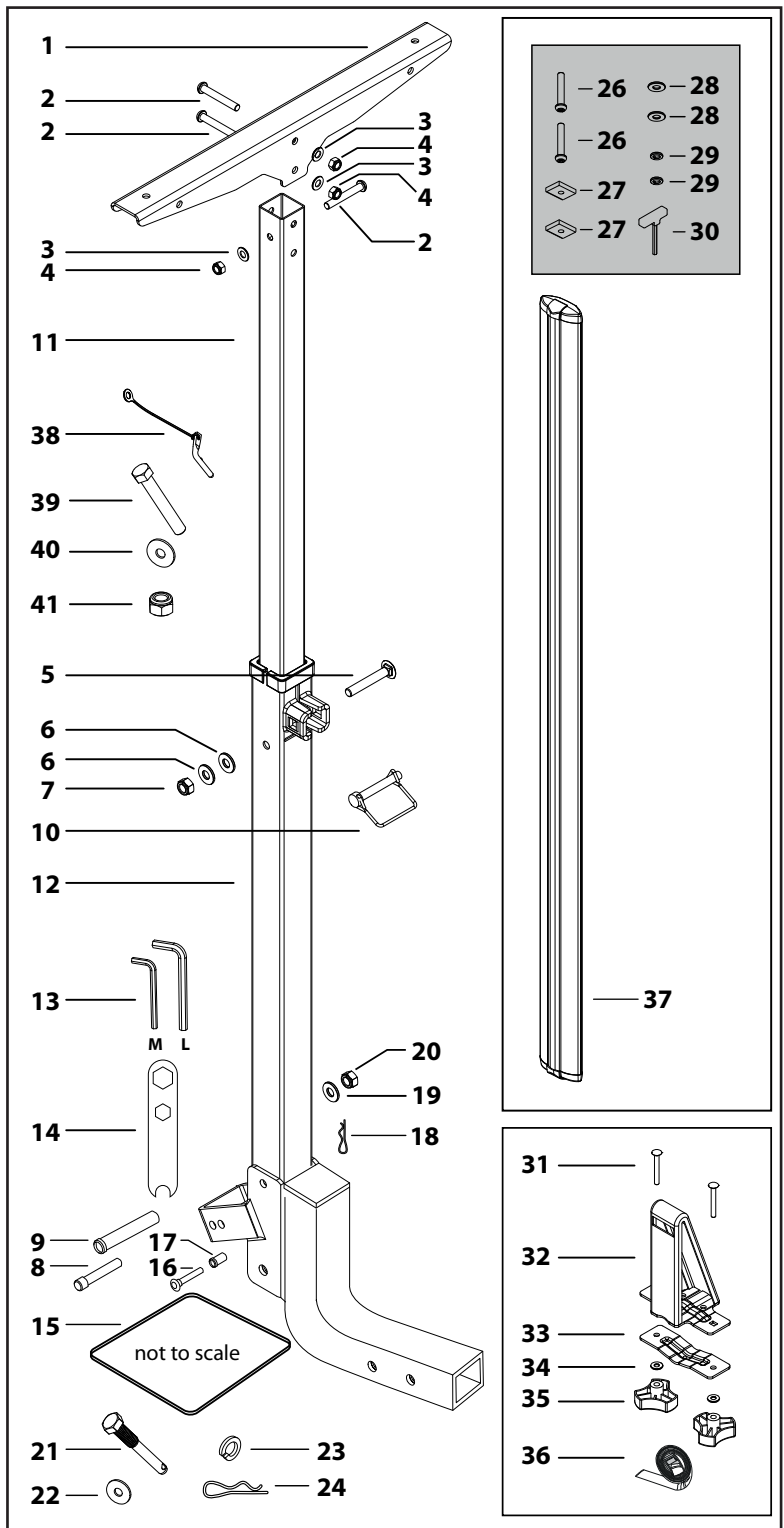
Item	Component Name	Qty
26	M6 x 32mm Security Screw (Aero)	2
27	M6 Flat Nut (Aero)	2
28	M6 x 16mm Flat Washer	2
29	M6 Spring Washer	2
30	Security Key Short	1

RTLK

Item	Component Name	Qty
31	Cup Head Square Neck Bolt	4
32	Upper Clamp	2
33	Universal Clamp	2
34	M6 Flat Washer	4
35	Dial	4
36	Strap	1

Crossbar

Item	Component Name	Qty
37	Aero Crossbar	1



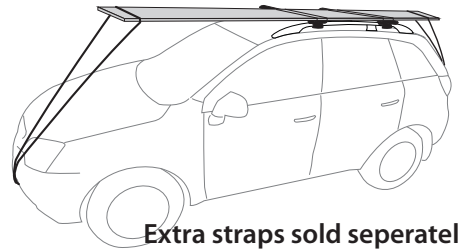
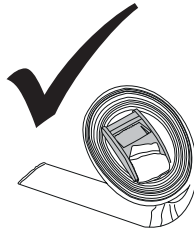
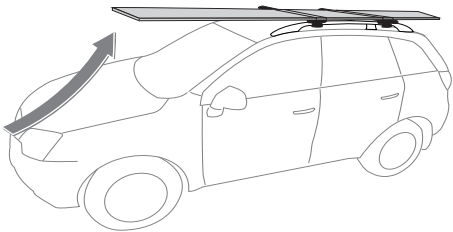
Item	Component Name	Qty
38	Locking Pin (with cable)	1
39	Hex Bolt 1/2" - 13 x 3.25"	1
40	Flat Washer 13.5mm x 27mm	2
41	Nut 1/2" - 13	1

Tools supplied with kit: Allen Keys, Spanner, Key

Tools needed: Measuring tape, Spanner (for tow ball removal), Power drill (optional), 3mm pilot drill bit (optional), 10mm drill bit (optional)

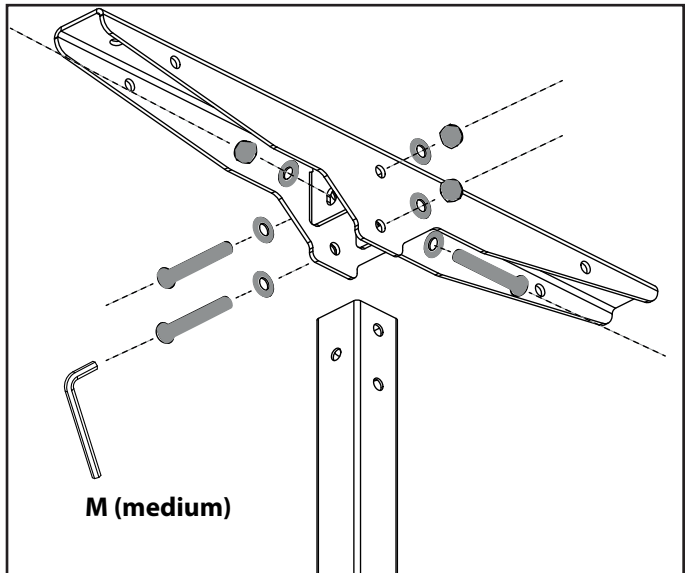
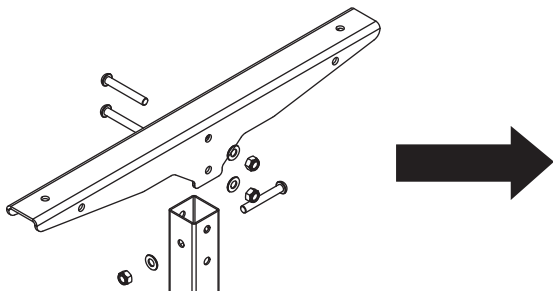


Rhino-Rack Kayak T-Load 2" Hitch Mount (RTL002)

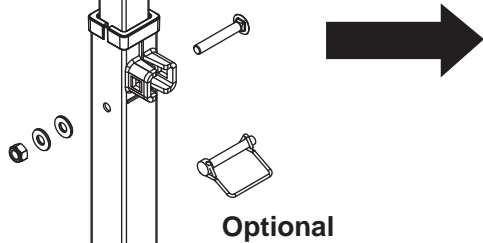


Extra straps sold seperately

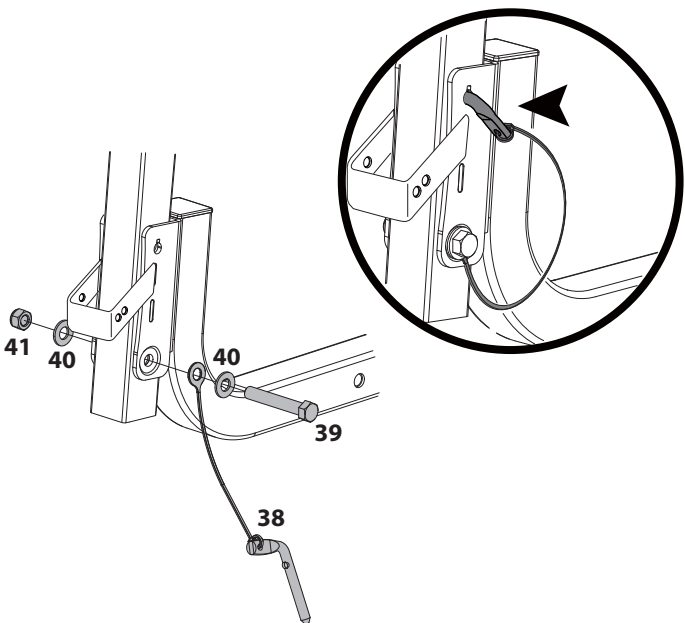
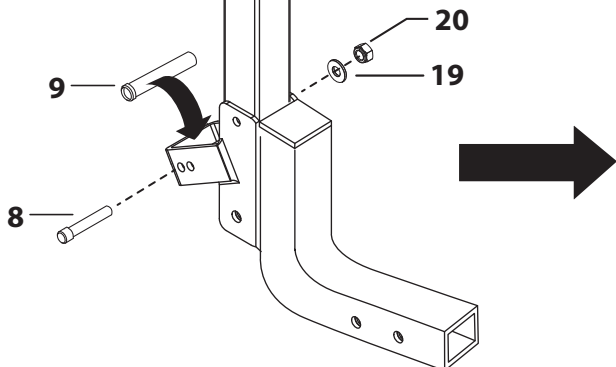
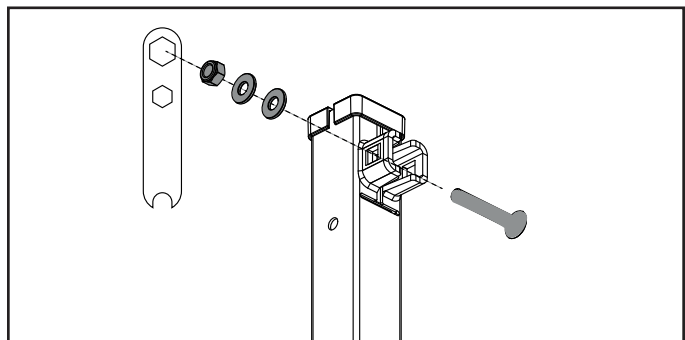
1



M (medium)



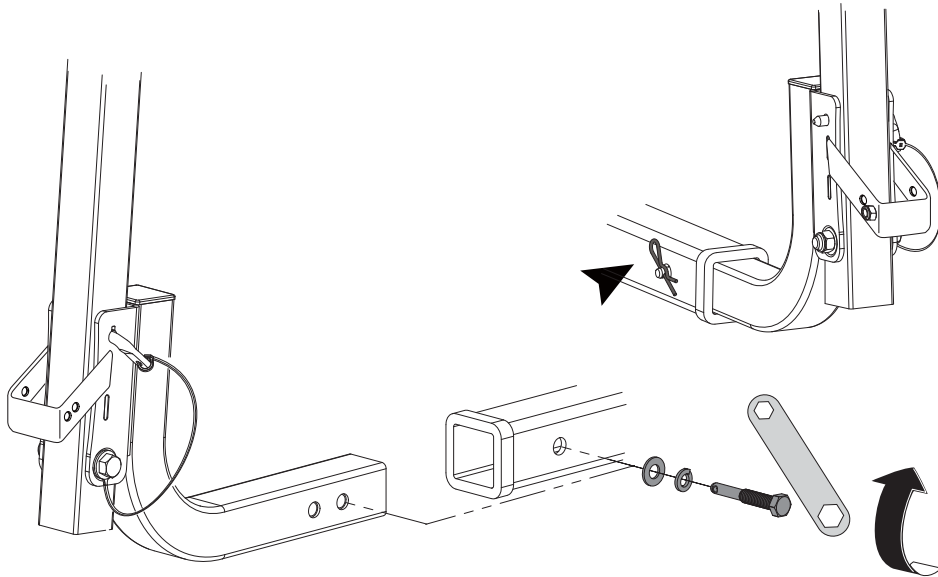
Optional



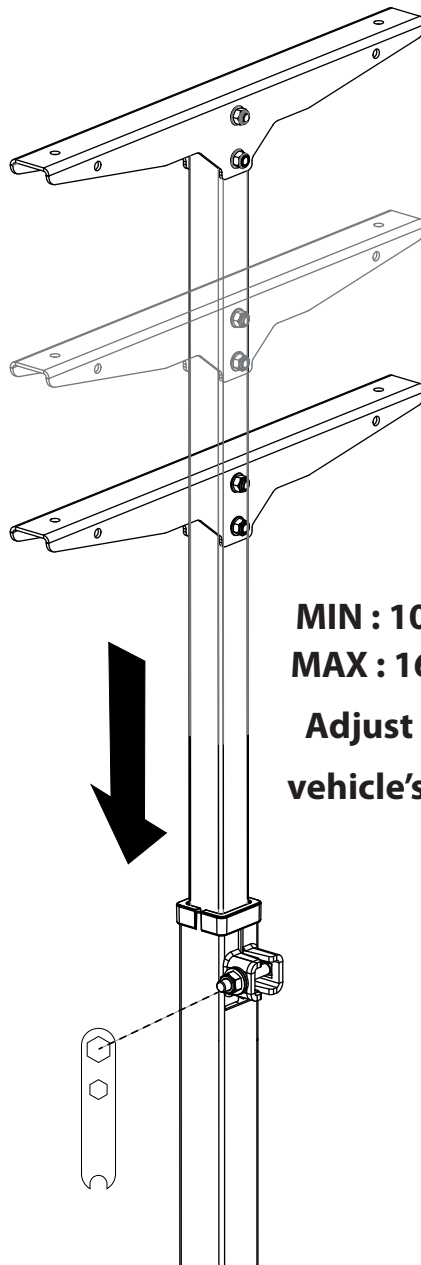


Rhino-Rack Kayak T-Load 2" Hitch Mount (RTL002)

2



3

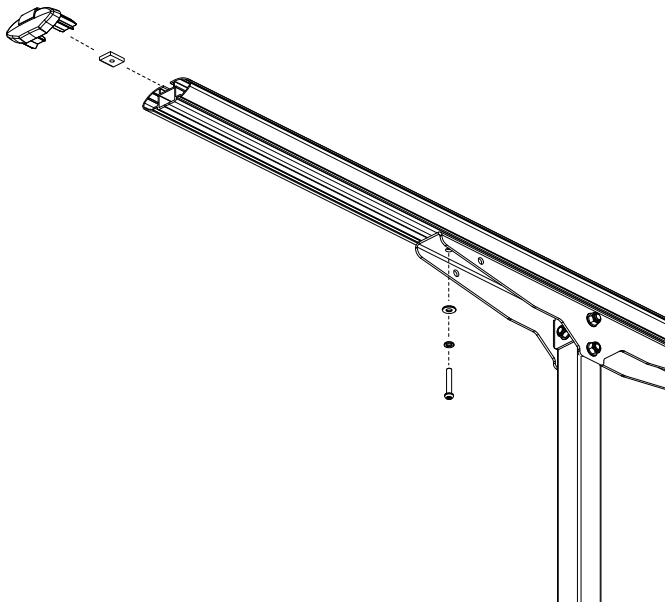


MIN : 1040mm
MAX : 1630mm
Adjust to suit
vehicle's height

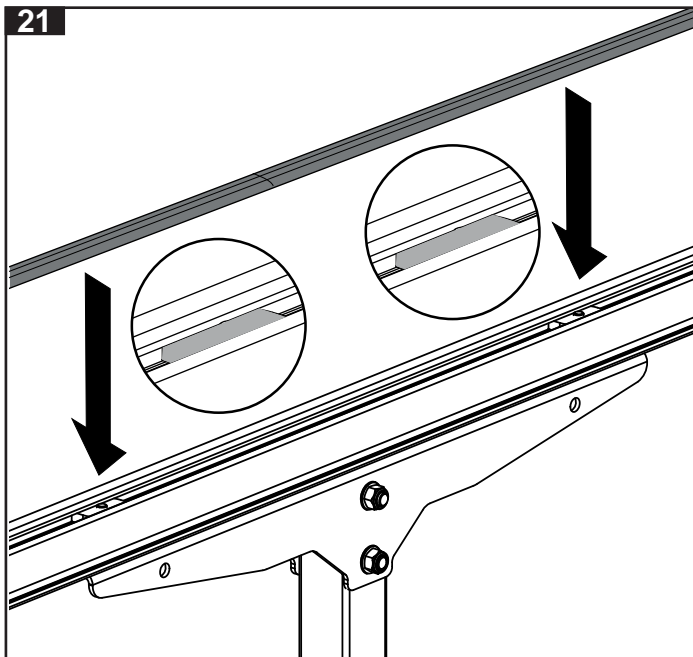


Rhino-Rack Kayak T-Load 2" Hitch Mount (RTL002)

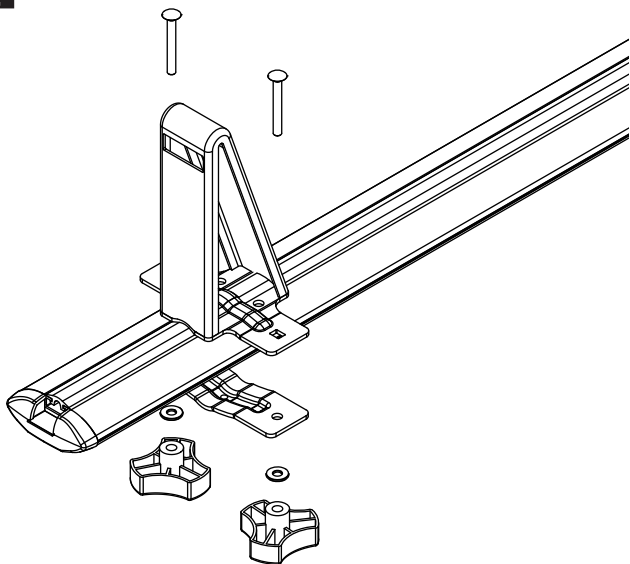
20



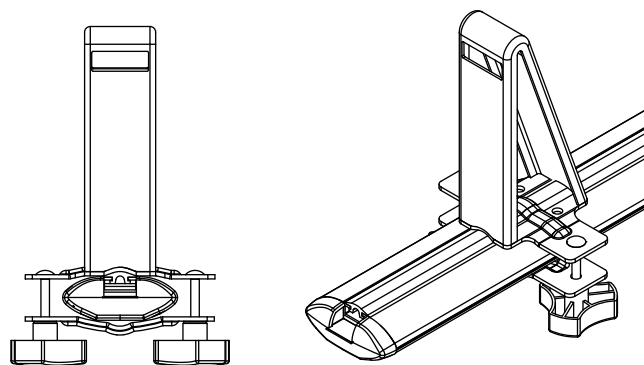
21



22



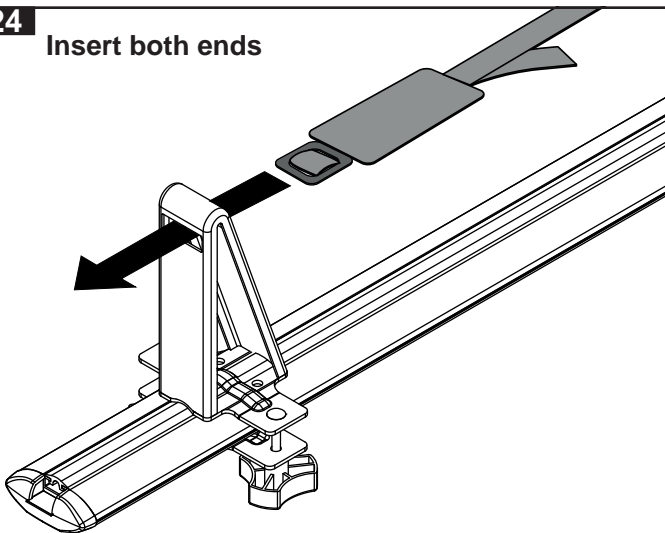
23



Do not overtighten
Overtightening may cause deformation
of the universal clamp

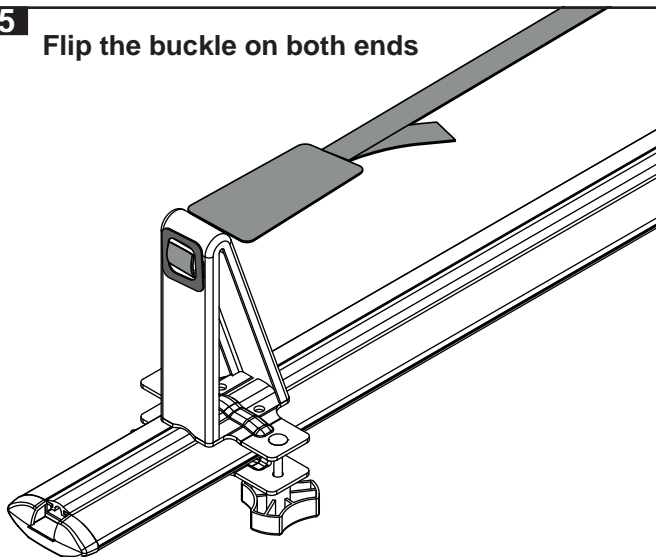
24

Insert both ends



25

Flip the buckle on both ends

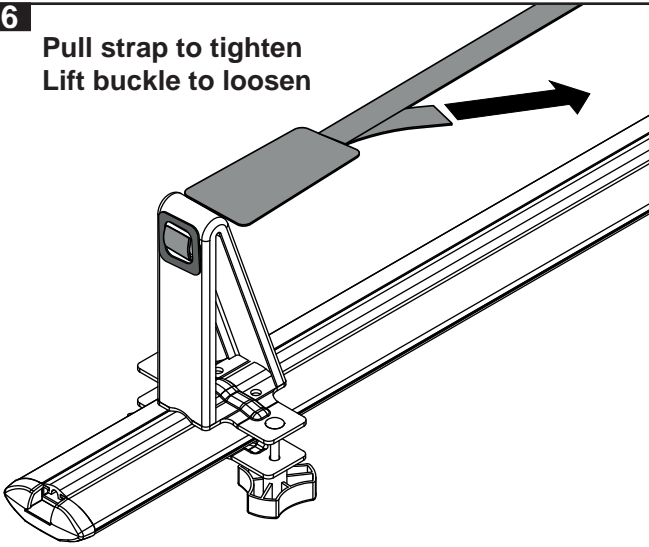




Rhino-Rack Kayak T-Load 2" Hitch Mount (RTL002)

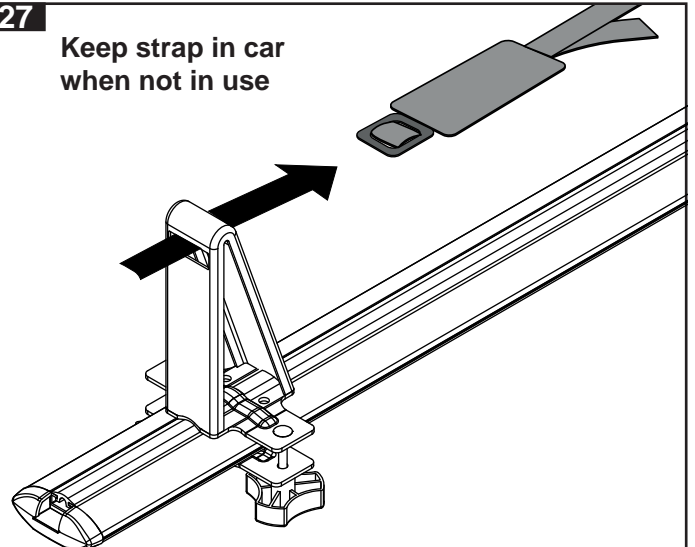
26

Pull strap to tighten
Lift buckle to loosen



27

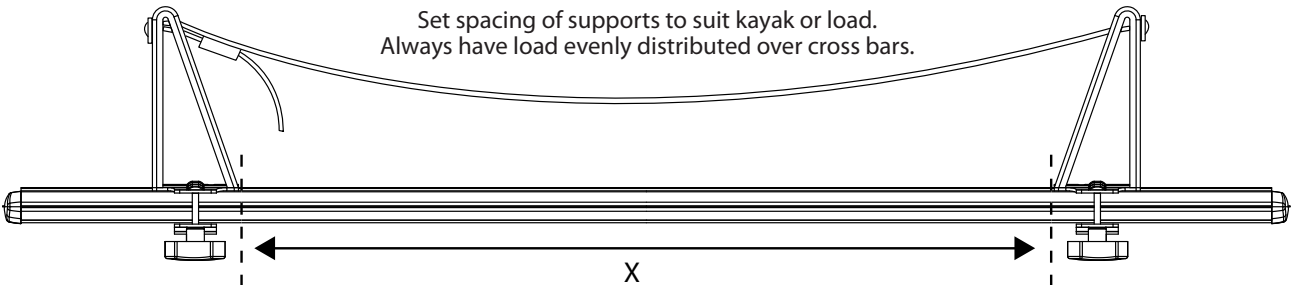
Keep strap in car
when not in use



28

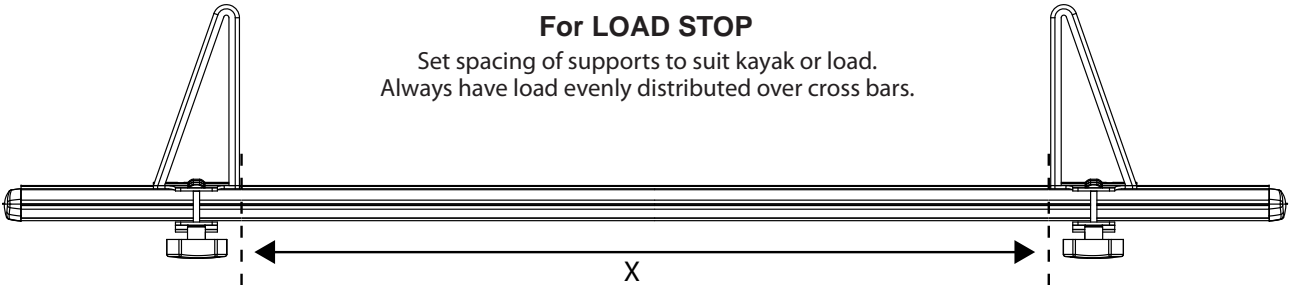
For KAYAKS / CANOES

Set spacing of supports to suit kayak or load.
Always have load evenly distributed over cross bars.

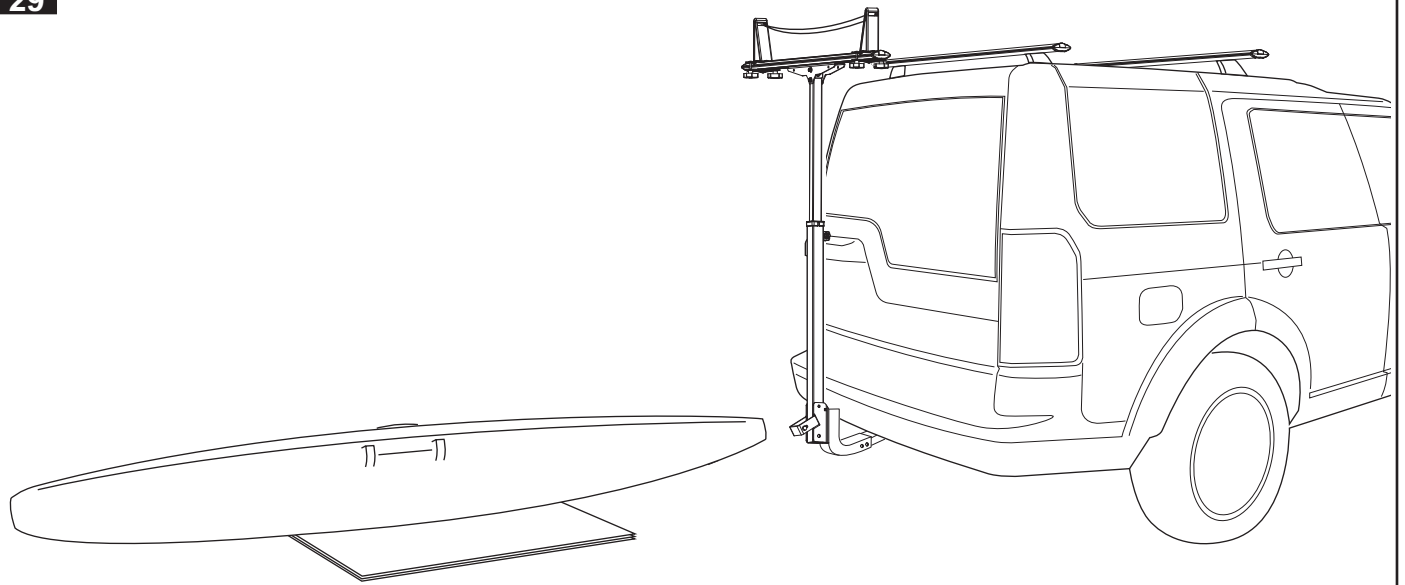


For LOAD STOP

Set spacing of supports to suit kayak or load.
Always have load evenly distributed over cross bars.

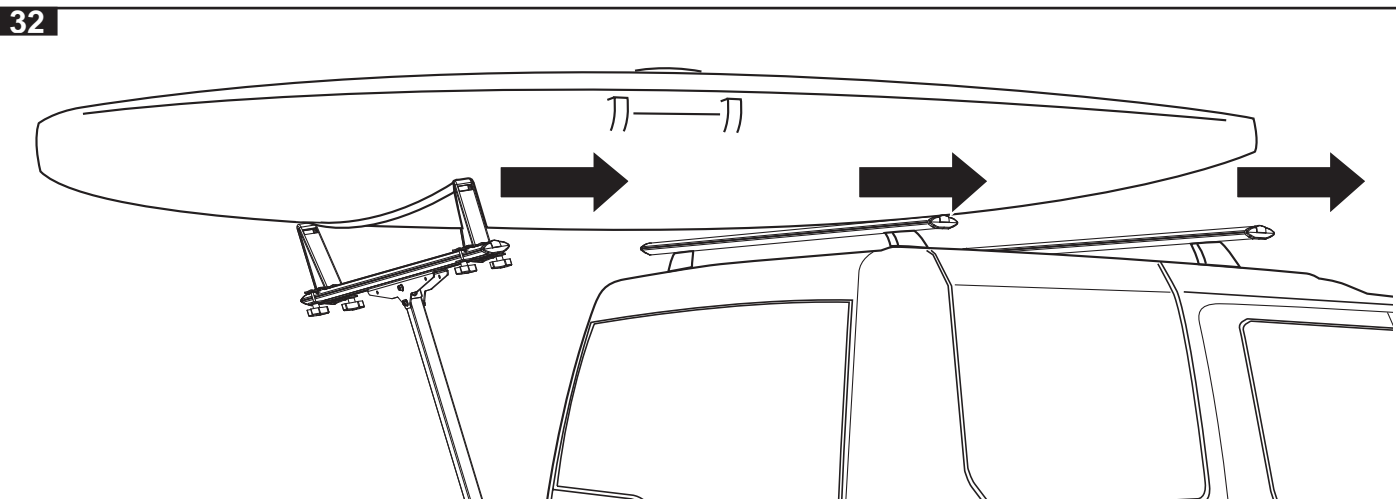
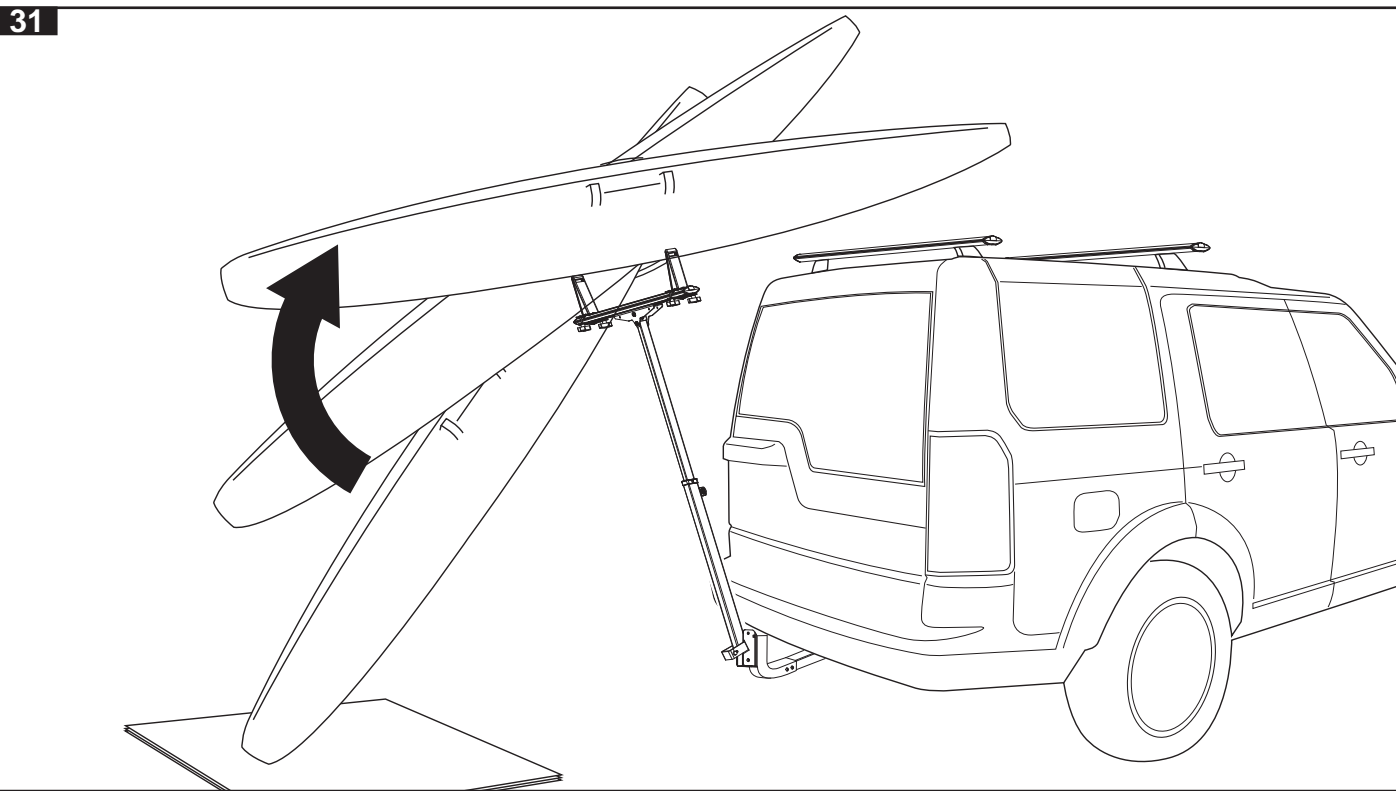
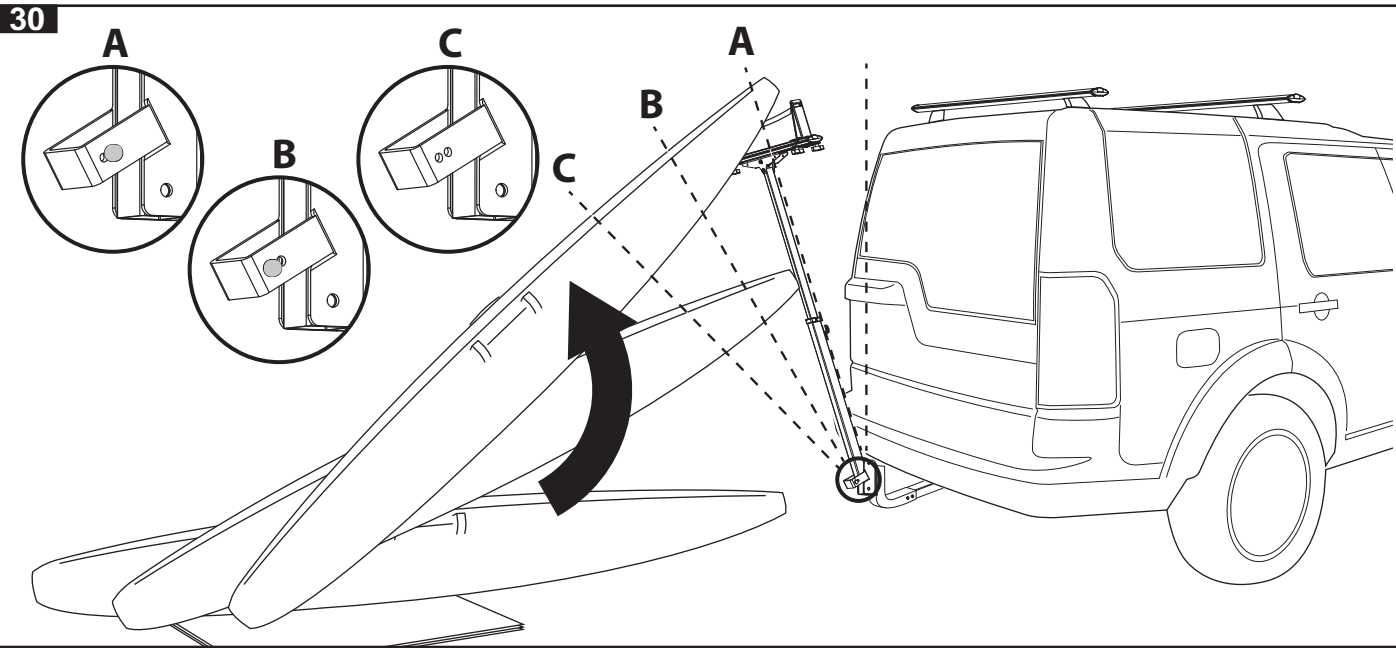


29





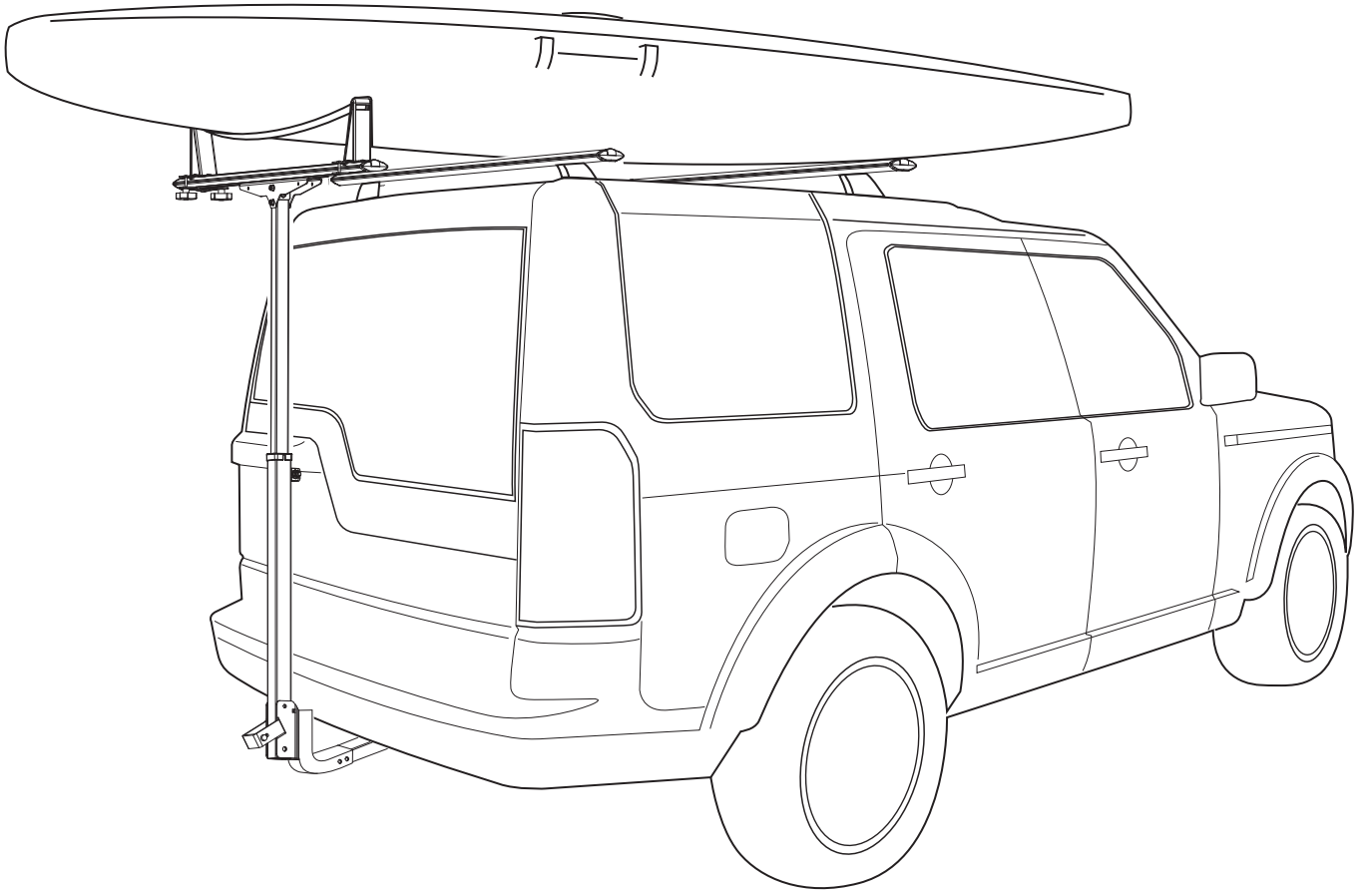
Rhino-Rack Kayak T-Load 2" Hitch Mount (RTL002)





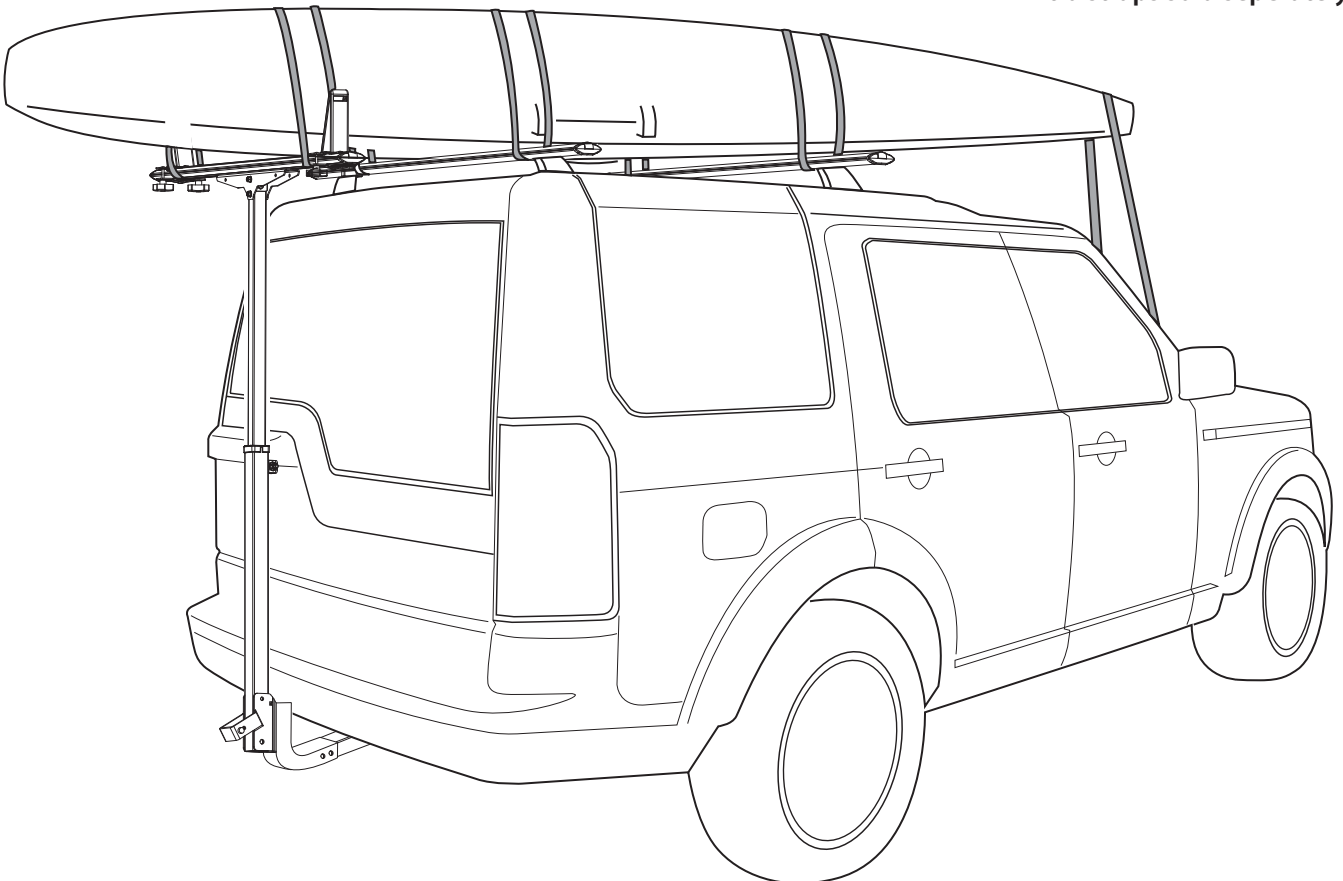
Rhino-Rack Kayak T-Load 2" Hitch Mount (RTL002)

33



34

Extra straps sold seperately

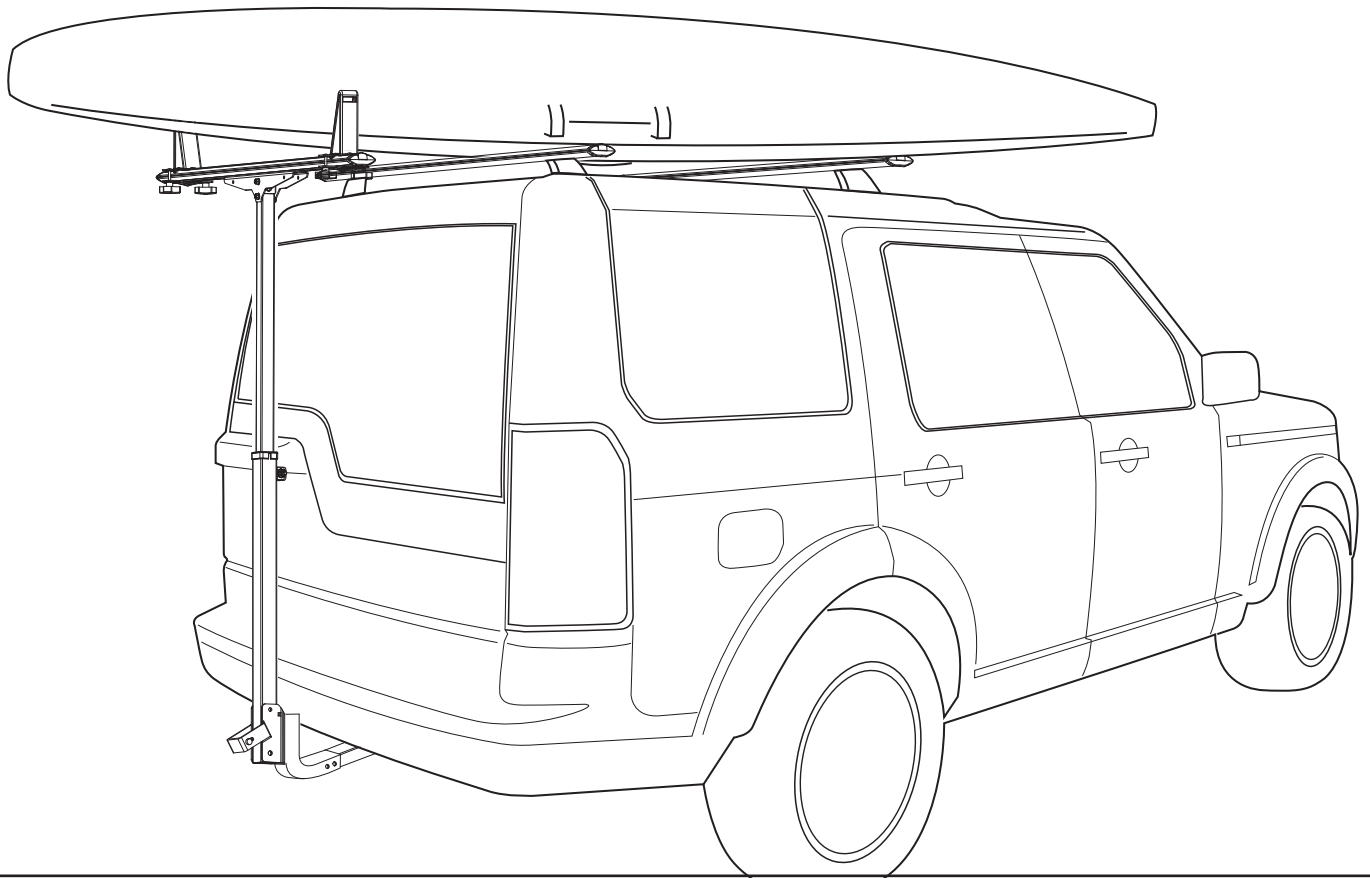




Rhino-Rack Kayak T-Load 2" Hitch Mount (RTL002)

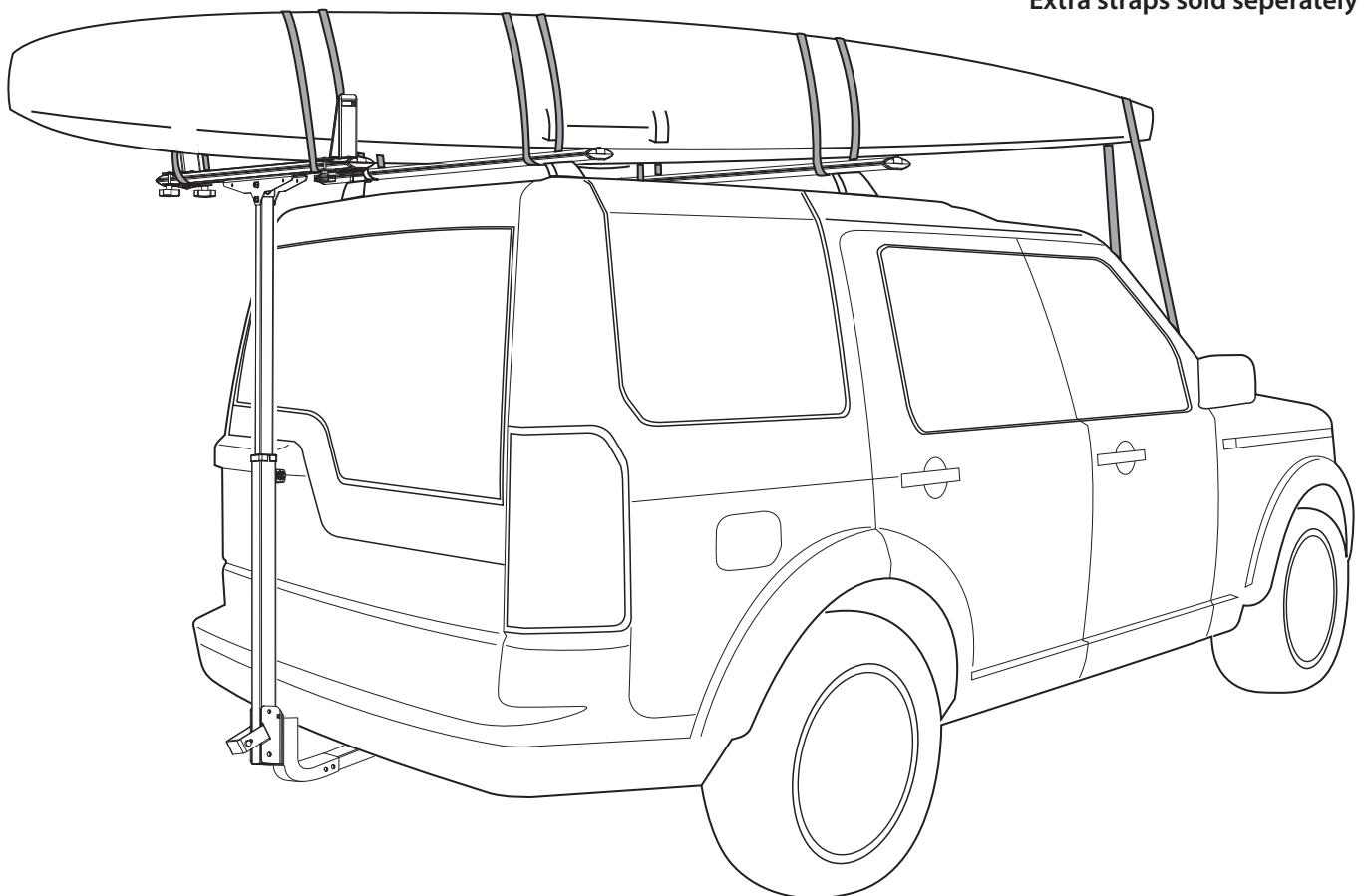
35

How to load with the gunwale facing down:



36

Extra straps sold seperately

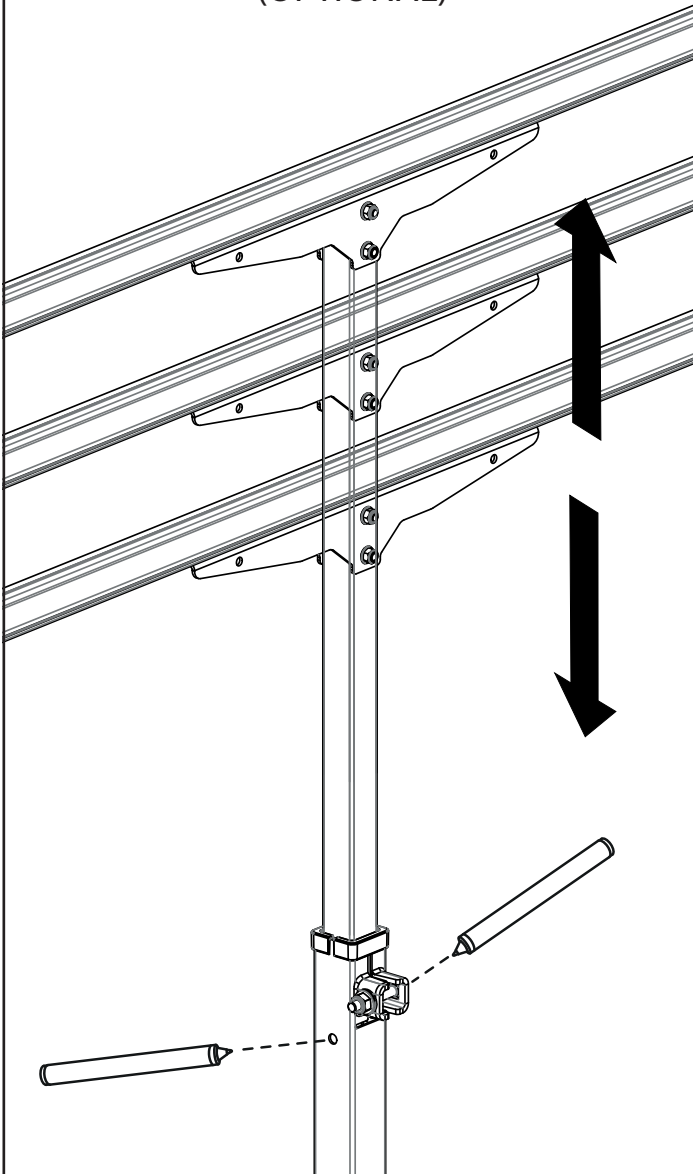




Rhino-Rack Kayak T-Load 2" Hitch Mount (RTL002)

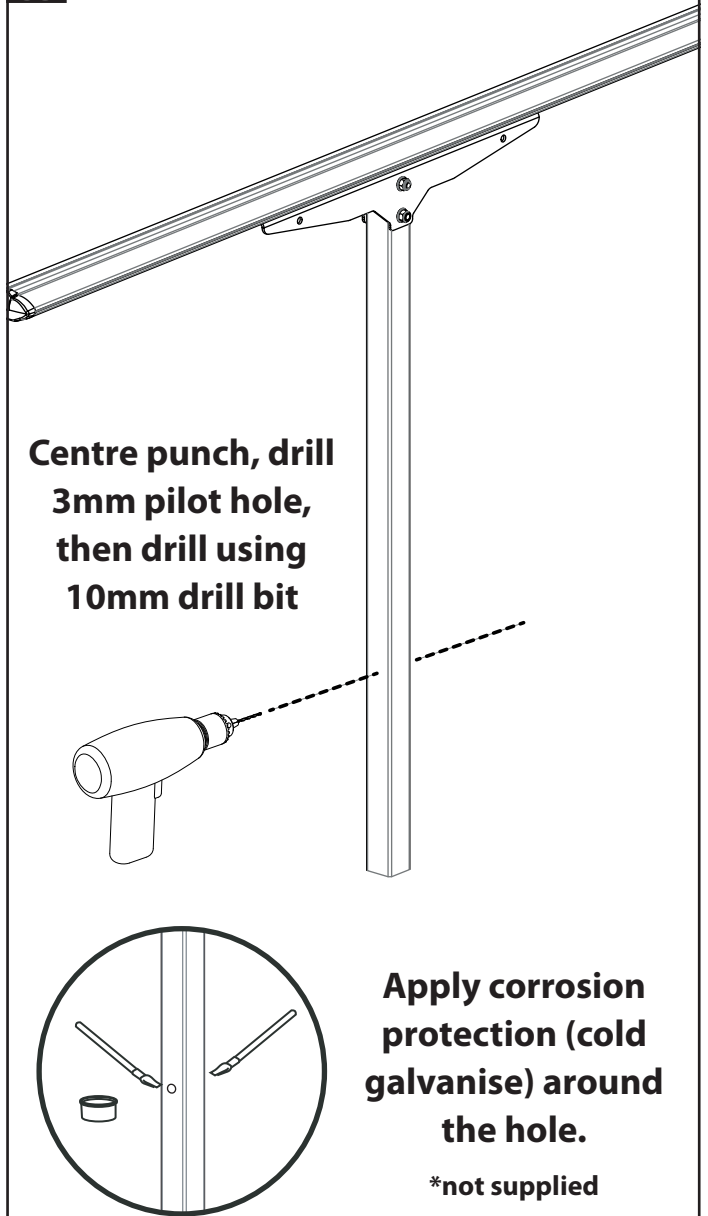
37

For Permanent Height Set Up
(OPTIONAL)



38

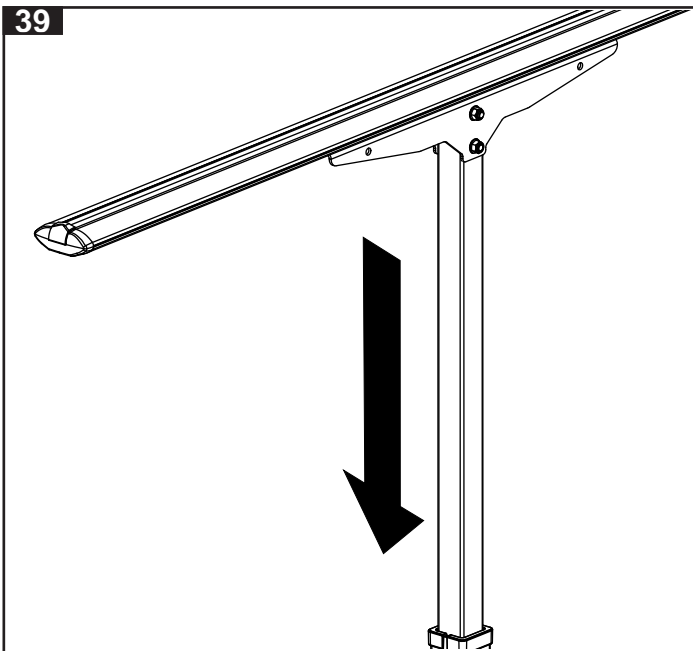
Centre punch, drill
3mm pilot hole,
then drill using
10mm drill bit



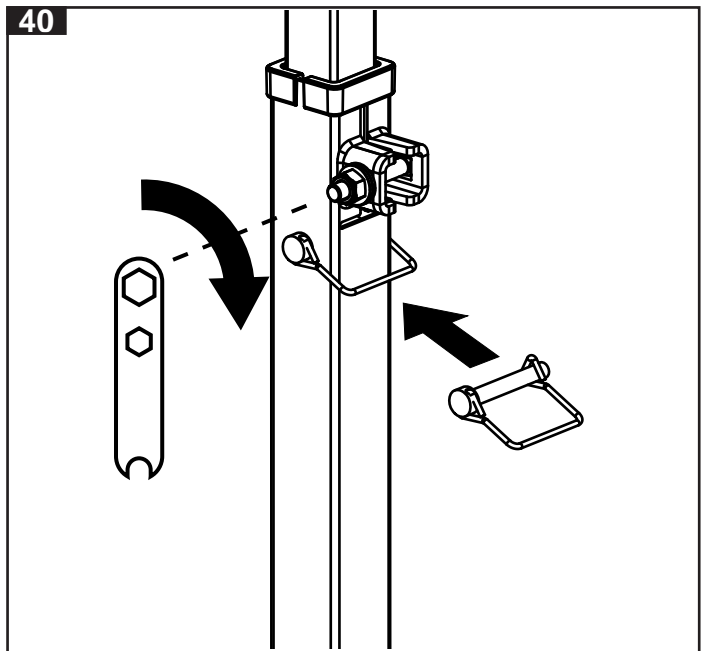
Apply corrosion
protection (cold
galvanise) around
the hole.

*not supplied

39



40





Rhino-Rack Kayak T-Load 2" Hitch Mount (RTL002)

