

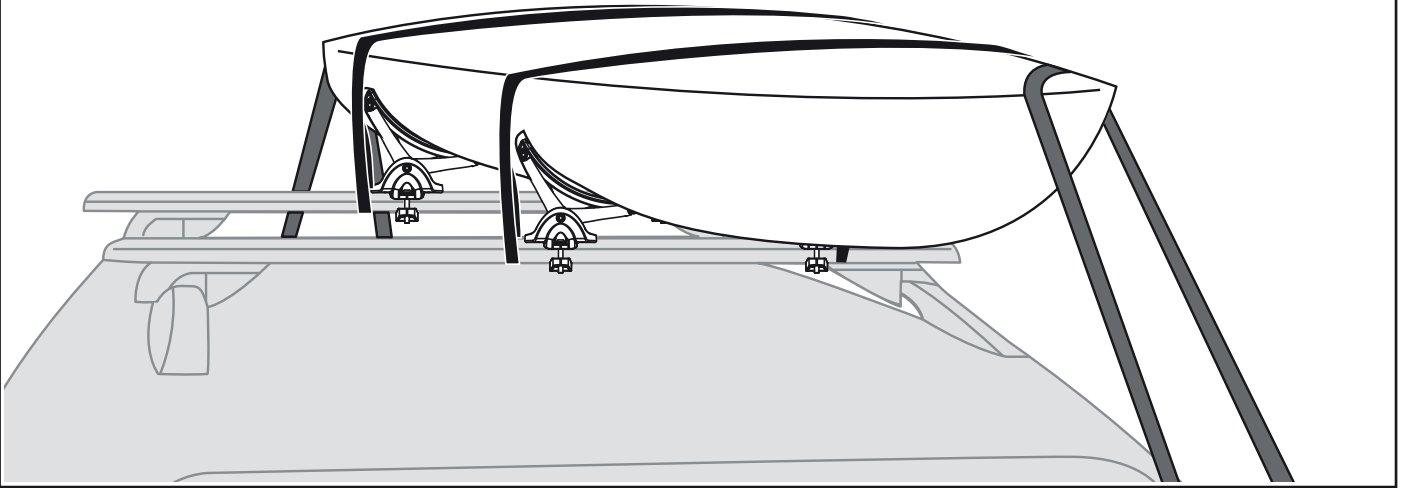


RHINO-RACK

Rhino-Rack **NAUTIC SERIES** 570, 580

Important: Please read these instructions carefully prior to installation. Please refer to your fitting instruction to ensure that the kayak carrier is installed in the correct locations. Check the contents of kit before commencing fitment and report any discrepancies. Place these instructions in the vehicle's glove box after installation is complete.

Layout



Important Information

Maximum carrying capacity: Refer to maximum carrying capacity of [roof racks](#)

Please refer to your vehicle manufacturers handbook for maximum carrying capacity of your roof racks. Always use the lower of the two figures. Load must be evenly distributed over the crossbars.

Warning: Do not attempt to fit the 570/ 580 to your vehicle unless you fully understand these fitting instructions. Please direct any questions regarding fitting to the dealer from where the 570/ 580 was purchased. **Use only non-stretch fastening ropes or straps.**

Ensure the bottom of the kayak is clean before loading to avoid damage to both kayak and cradle.

Take care when loading and unloading to ensure that the kayak does not damage the vehicle.

The roof racks must be at least 600mm apart for safe use.

Failure to follow these warnings and instructions set out will void warranty.

Recommendations:

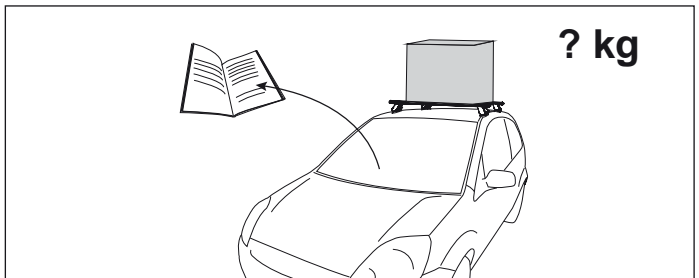
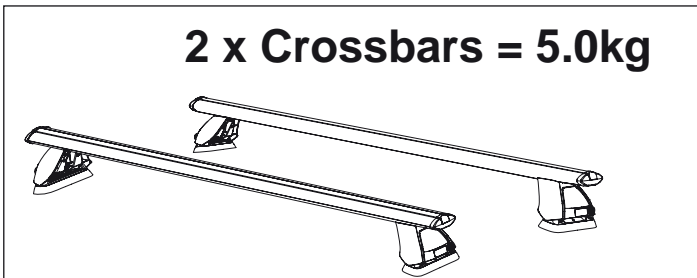
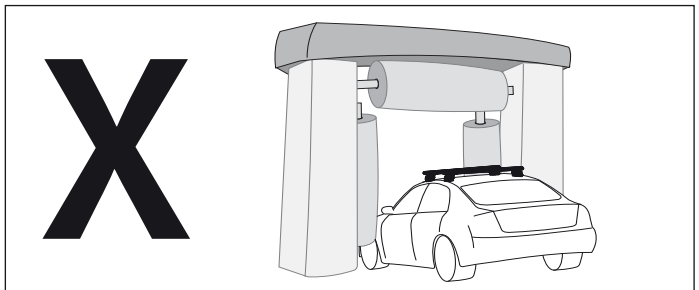
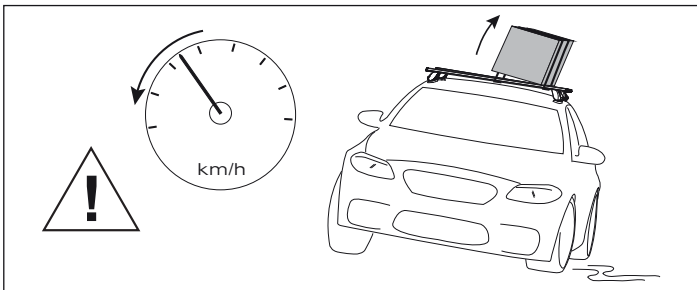
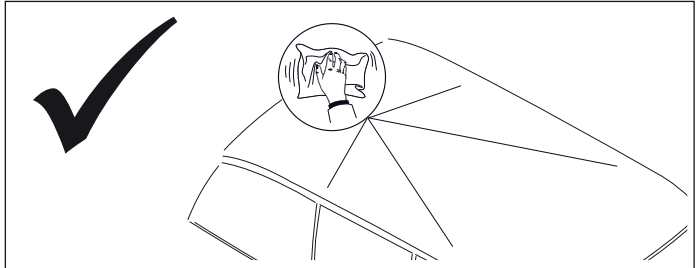
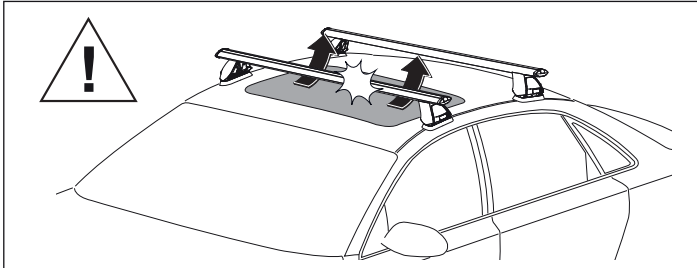
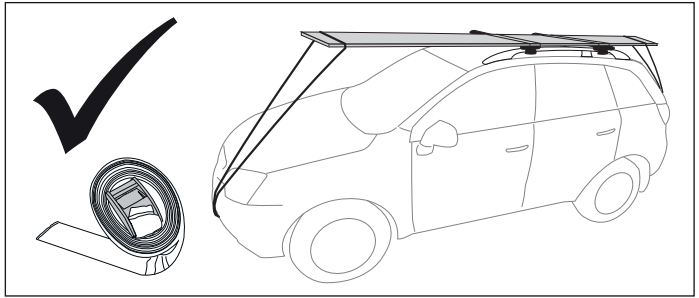
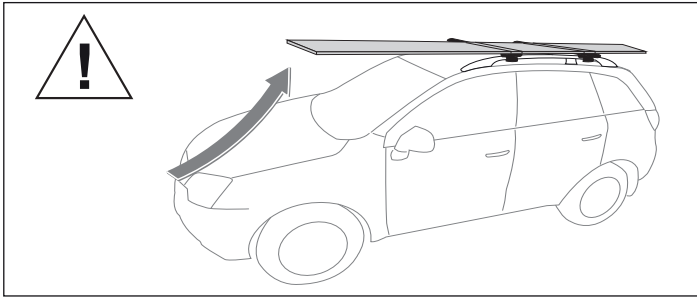
It is essential that all bolt connections be checked after driving a short distance when you first install your kayak cradles. Bolt connections should be checked again at regular intervals (once a week is enough, depending on road conditions, usage, loads and distances travelled). You should also check the roof racks and kayak cradles each time they are re-fitted. Always make sure to fasten your load securely. Please also ensure that all loads are evenly distributed and that the centre of gravity is kept as low as possible. Long loads (e.g. canoes and kayaks) must be secured front and rear with non-stretch fastening ropes or straps.

Roof racks must be removed when putting vehicle through an automatic car wash.

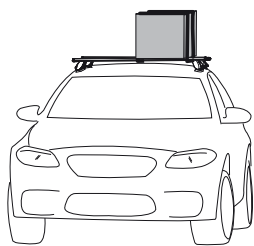
Caution: The handling characteristics of the vehicle changes when you transport a load on the roof. For safety reasons we recommend you exercise extreme care when transporting wind-resistant loads. Special consideration must be taken into account when cornering and braking.



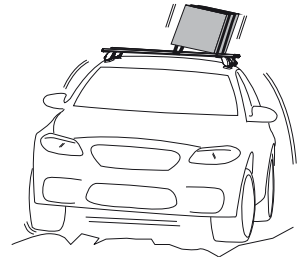
Rhino-Rack NAUTIC SERIES 570, 580



When these roof racks are to be used on a vehicle that is driven off sealed roads, the manufacturer maximum roof load rating (to be found in the vehicles User Manual) should be **halved**. Do not forget to subtract 7.5kg from your maximum carrying capacity due to the weight of the crossbars and legs.

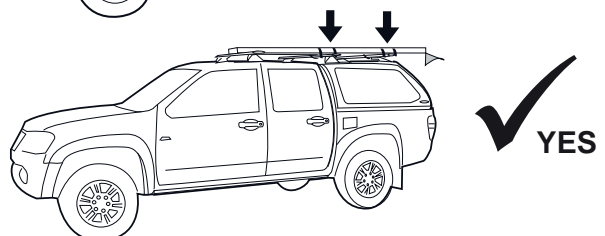
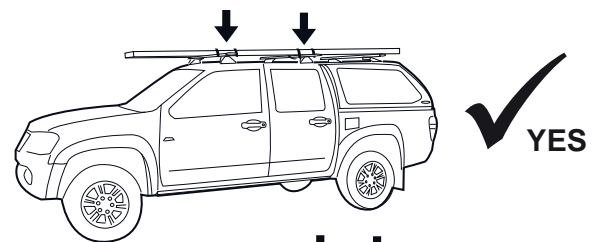
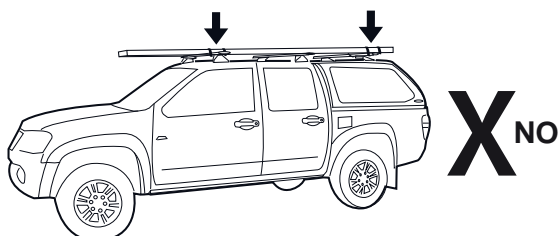


$$60\text{kg load rating (Urban road)} = 30\text{kg load rating (Off road - } 60\text{kg} / 2)$$



WARNING! Important Load Carrying Instructions

With utility vehicles, the cabin and the canopy move independently. Roof racks and vehicle can be damaged if the item transported is rigidly fixed at points on both the cabin and canopy. Instead, rigidly fix to either the cabin roof racks or the canopy roof racks.





Rhino-Rack **NAUTIC SERIES** 570, 580

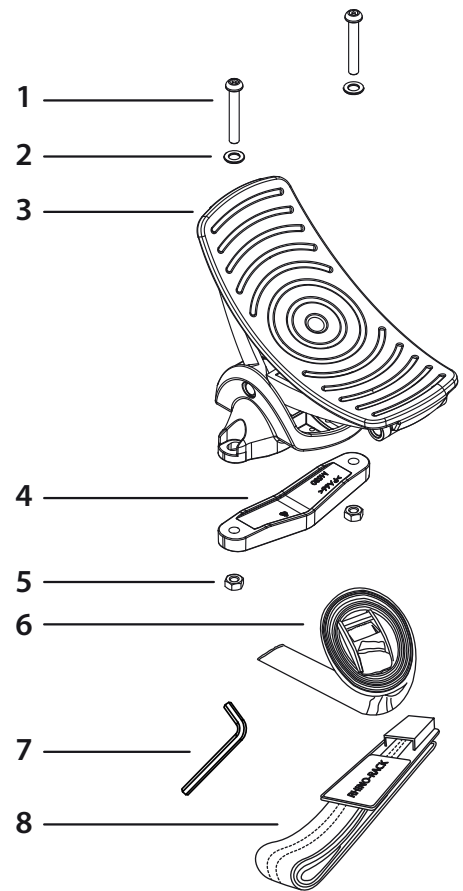
Parts List

570		
Item	Component Name	Qty
1	M6 x 40mm Security Head Screw	8
2	M6 Flat Washer	8
3	Cradle	4
4	Bottom Bracket	4
5	M6 Nut (in bottom bracket)	8
6	5.5m Tie Down Strap	2
7	Allen Key	1
8	3m Covered Buckle Strap	2
9	Fitting Instructions	1

	NAUTIC SERIES	
	570	580
	✓	✓
	✓*	✓*
	✓	✗
	✓	✗
	✓	✓
	✓	✓

*fit kit sold separately

570

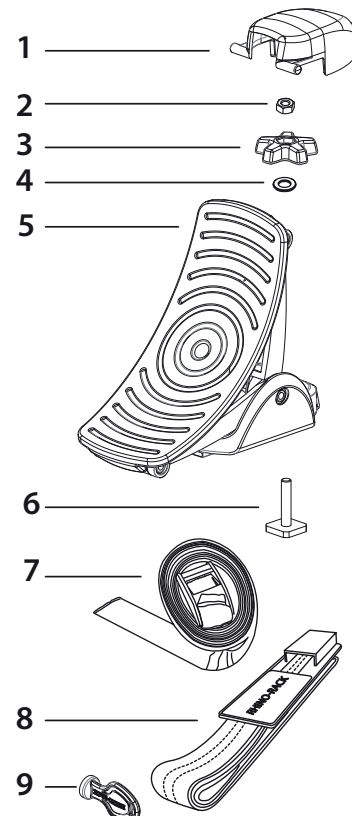


Care Instruction:

Wash and clean vehicle roof racks prior to fitment

580		
Item	Component Name	Qty
1	Locking Cover	4
2	M6 Hex Nut (in turn wheel)	4
3	Turn Wheel	4
4	M6 Flat Washer	4
5	Cradle	4
6	T-bolt M6 x 30mm	4
7	5.5m Tie Down Strap	2
8	3m Covered Buckle Strap	2
9	Keys	2
10	Fitting Instructions	1

580



570 Fitting Instructions:

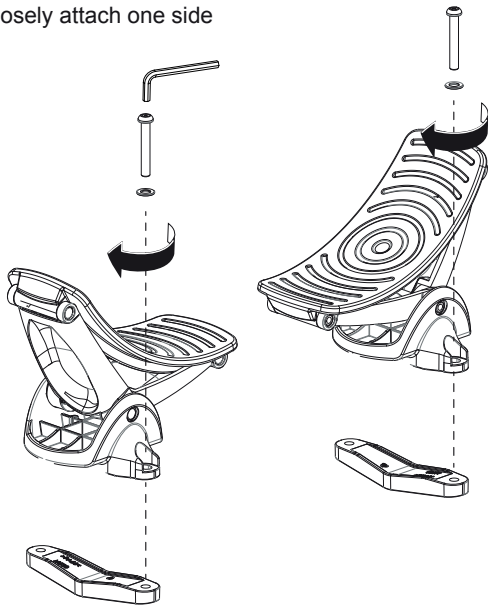
580 Fitting Instructions:



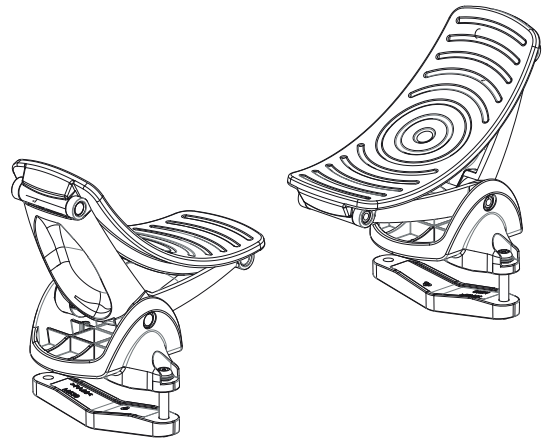
Rhino-Rack **NAUTIC SERIES** 570, 580

M570 Fitting Instructions

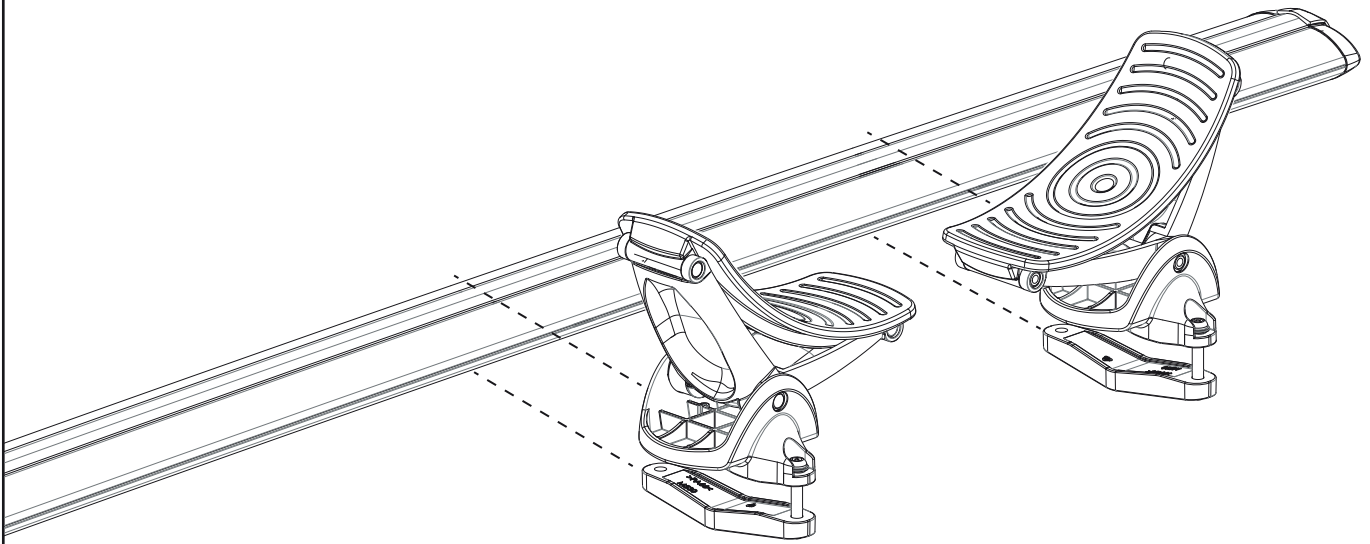
1 Loosely attach one side



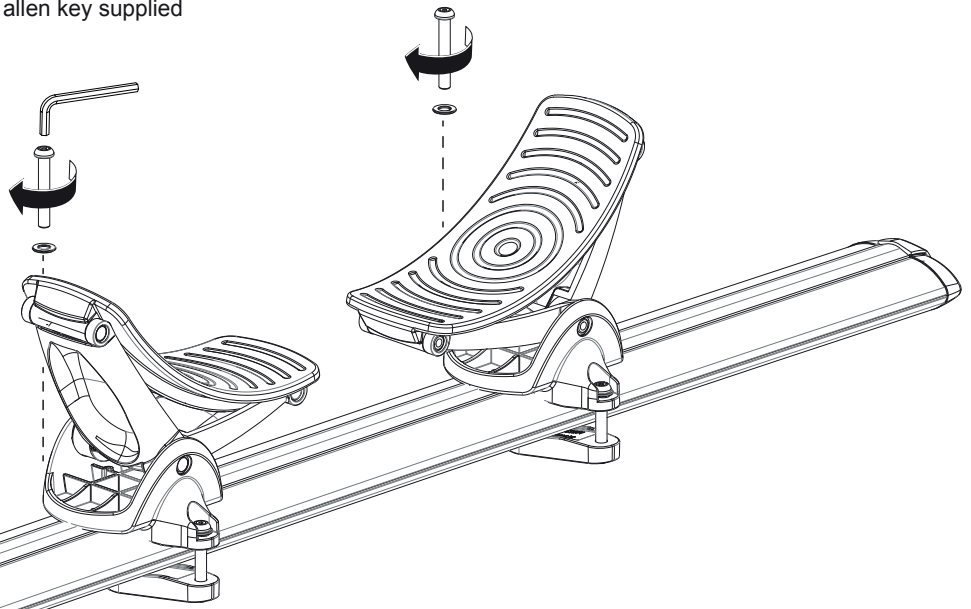
2



3 With one side attached, position cradles over the cross bars



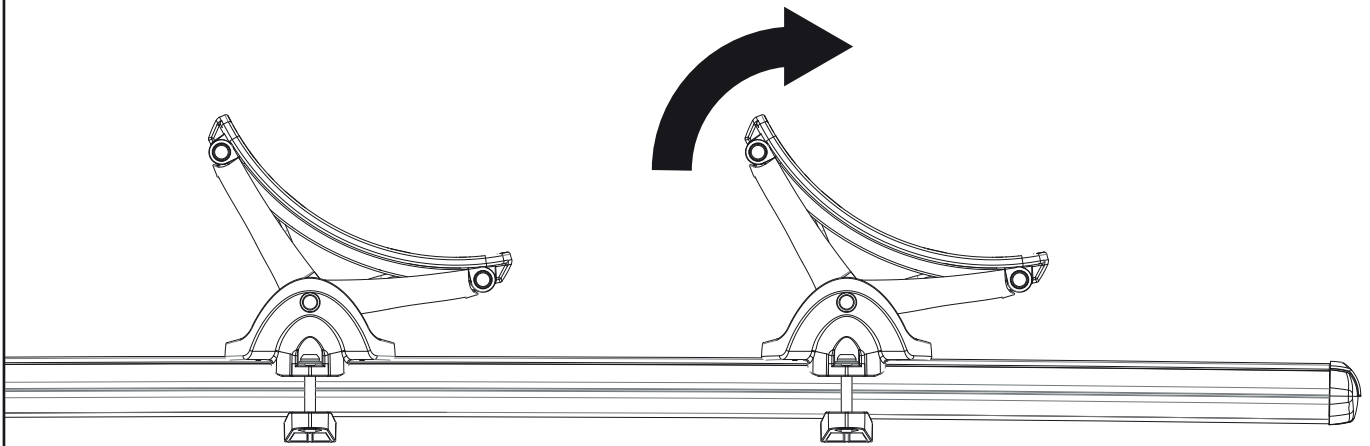
4 Securely tighten screws with the allen key supplied



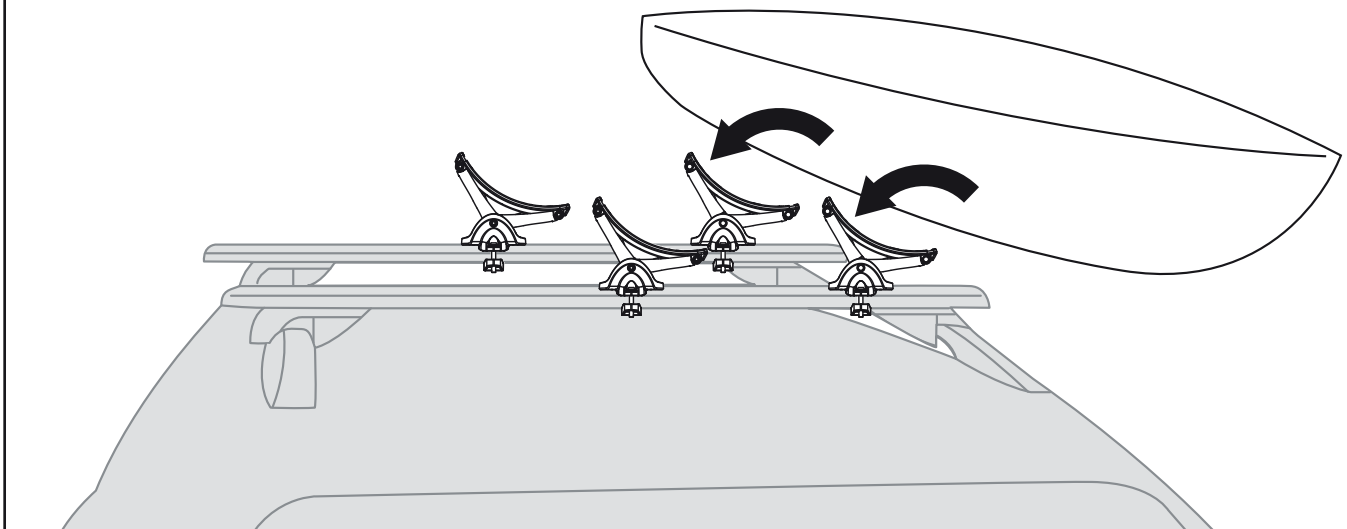


Rhino-Rack **NAUTIC SERIES** 570, 580

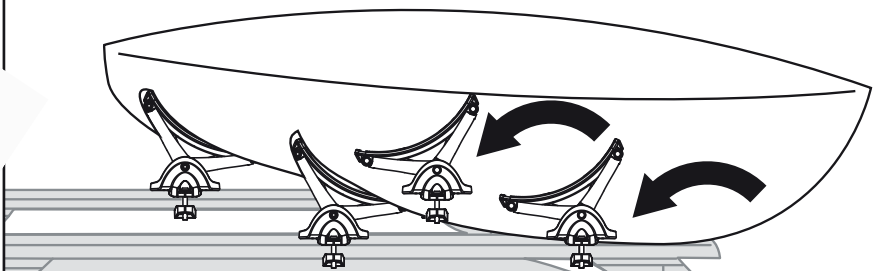
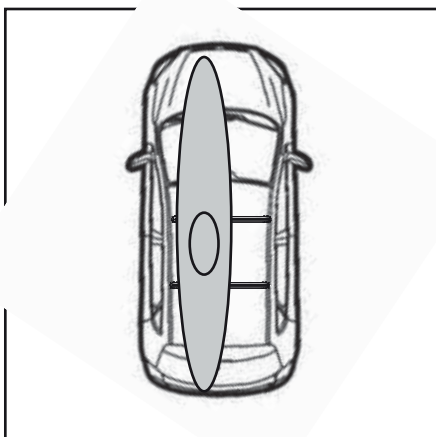
5 Rotate outer edge cradle for side loading



6 Load the kayak onto the cradles. It may be necessary to readjust the position to ensure it fits securely



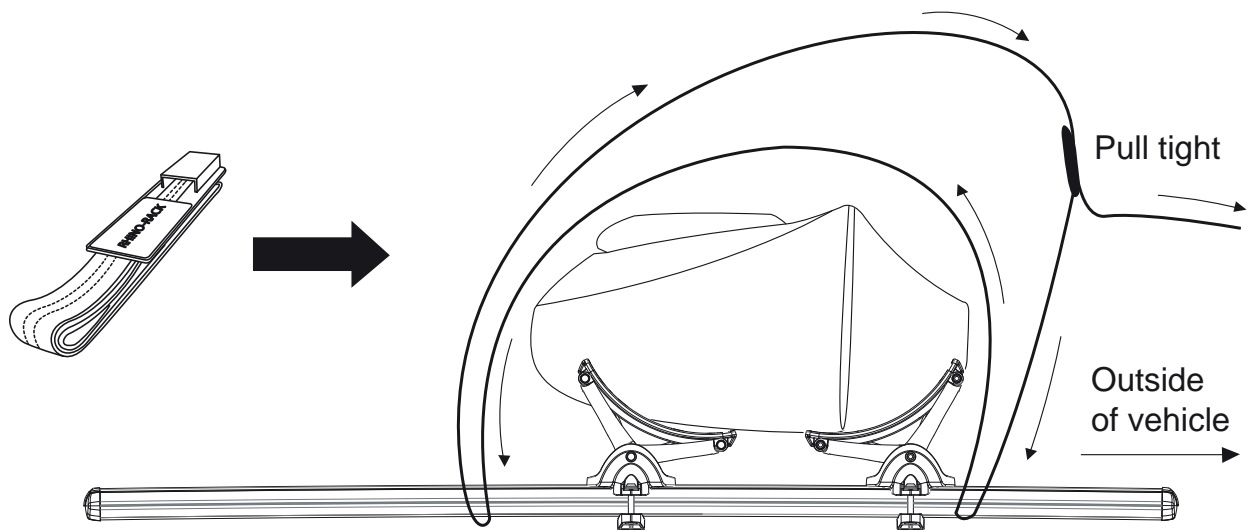
7 Make sure the kayak is in line with the vehicle as shown



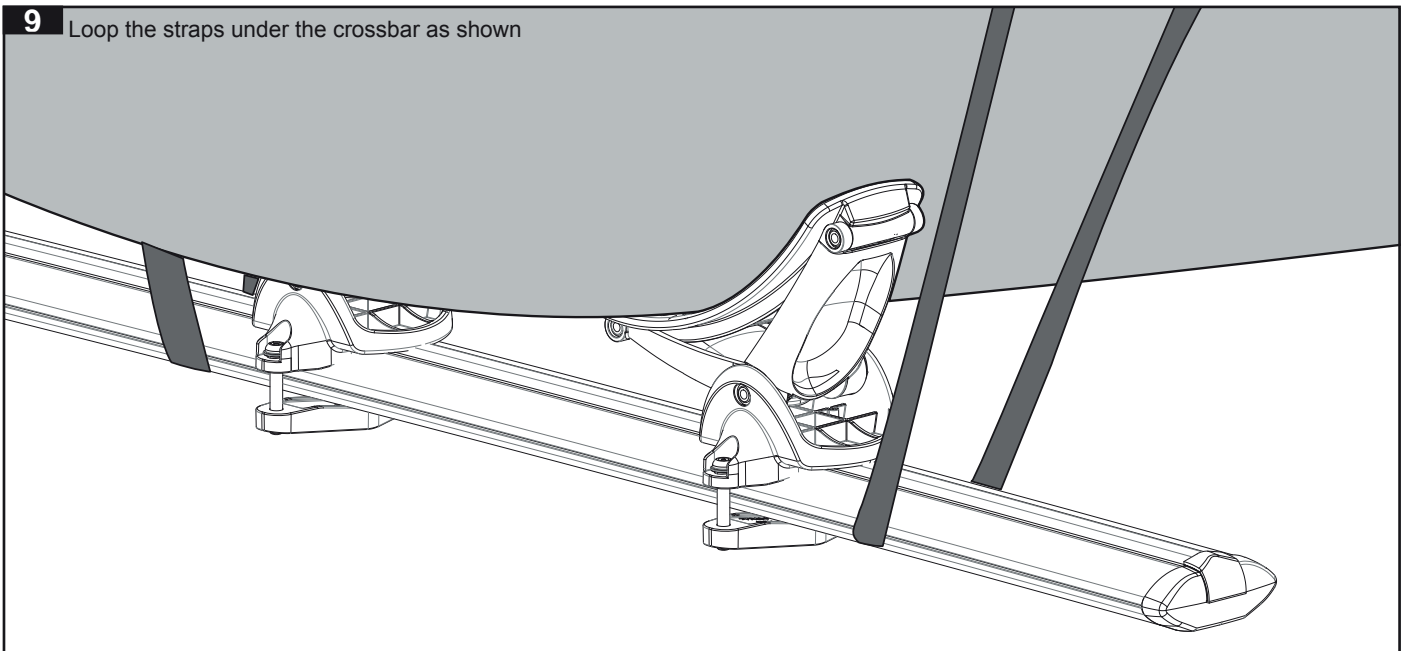


Rhino-Rack **NAUTIC SERIES** 570, 580

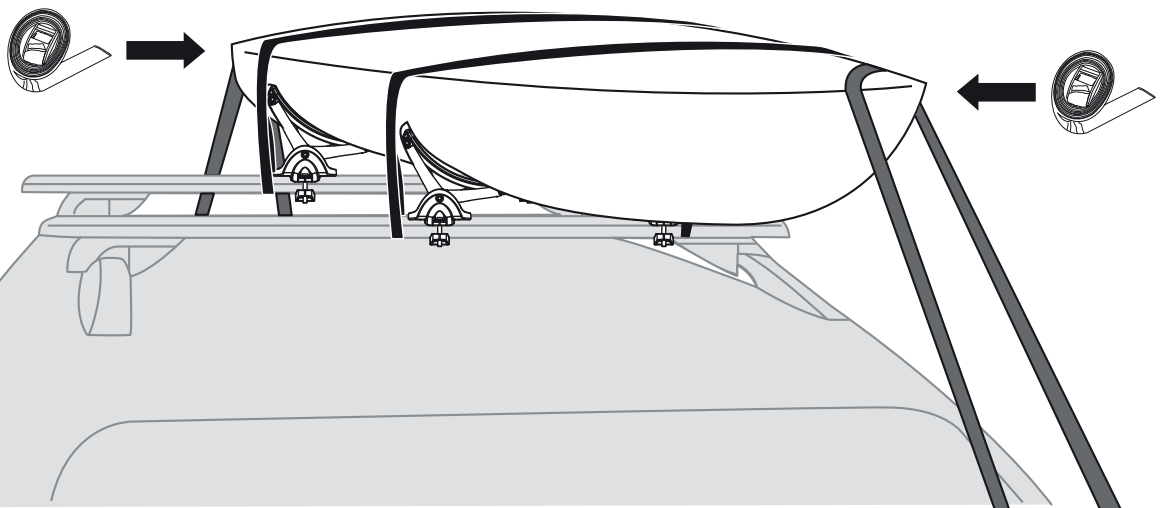
8 Straps should always pass under the crossbar as shown



9 Loop the straps under the crossbar as shown



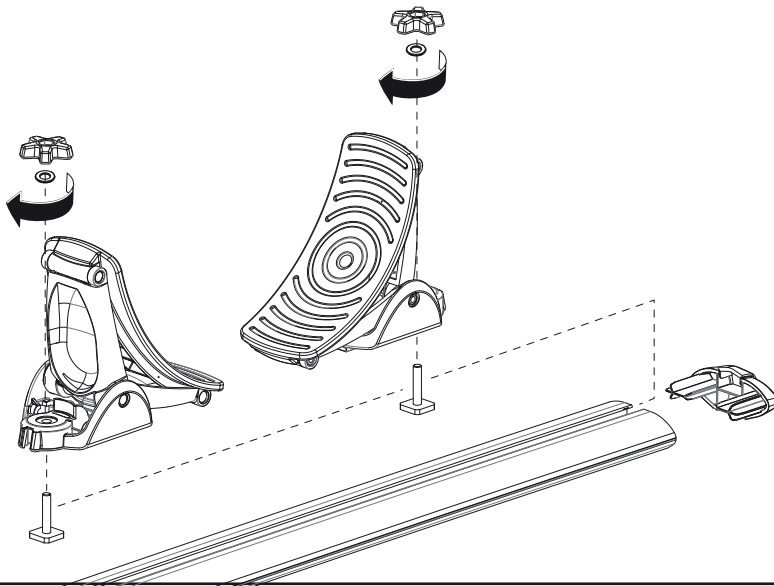
10 Bow and stern tie downs should always be used



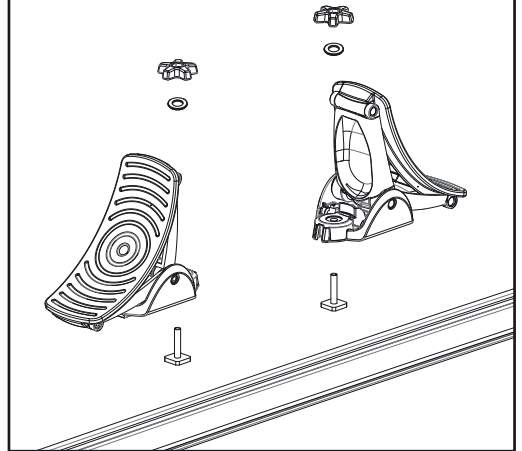


M580 Fitting Instructions

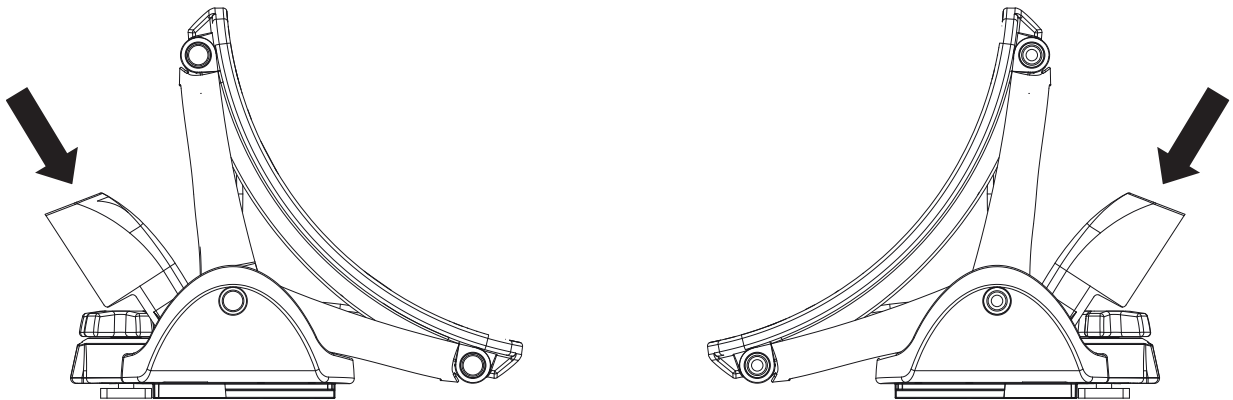
1 Insert T-bolts into channel and tighten dials



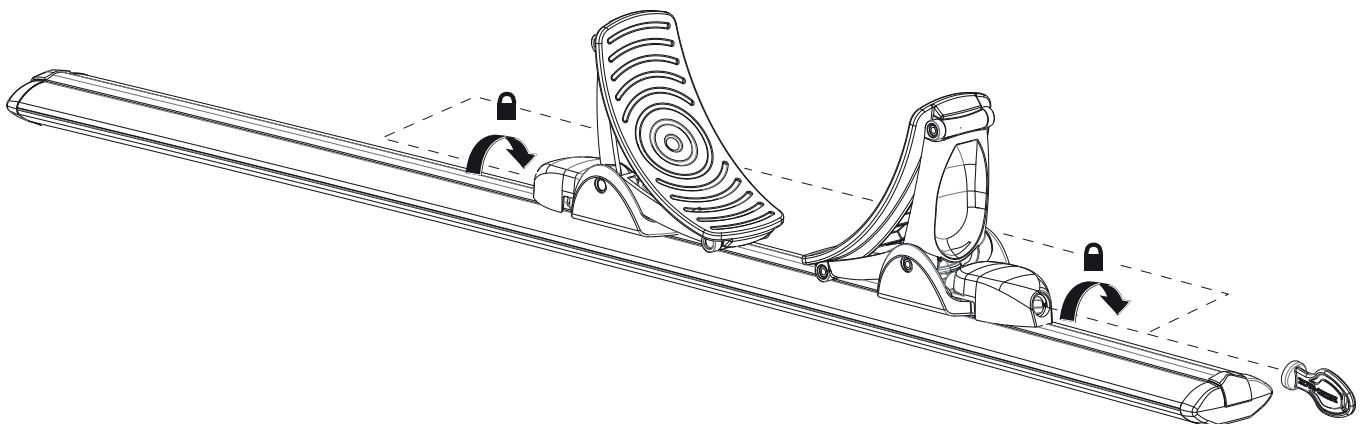
Alternative setup
Locks can also face inwards



2 Insert locking covers



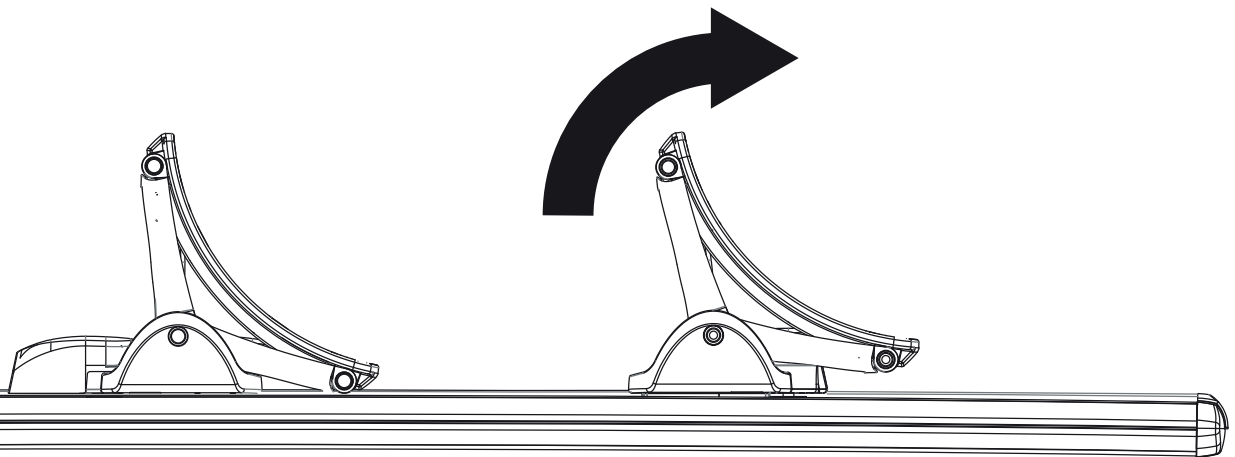
3



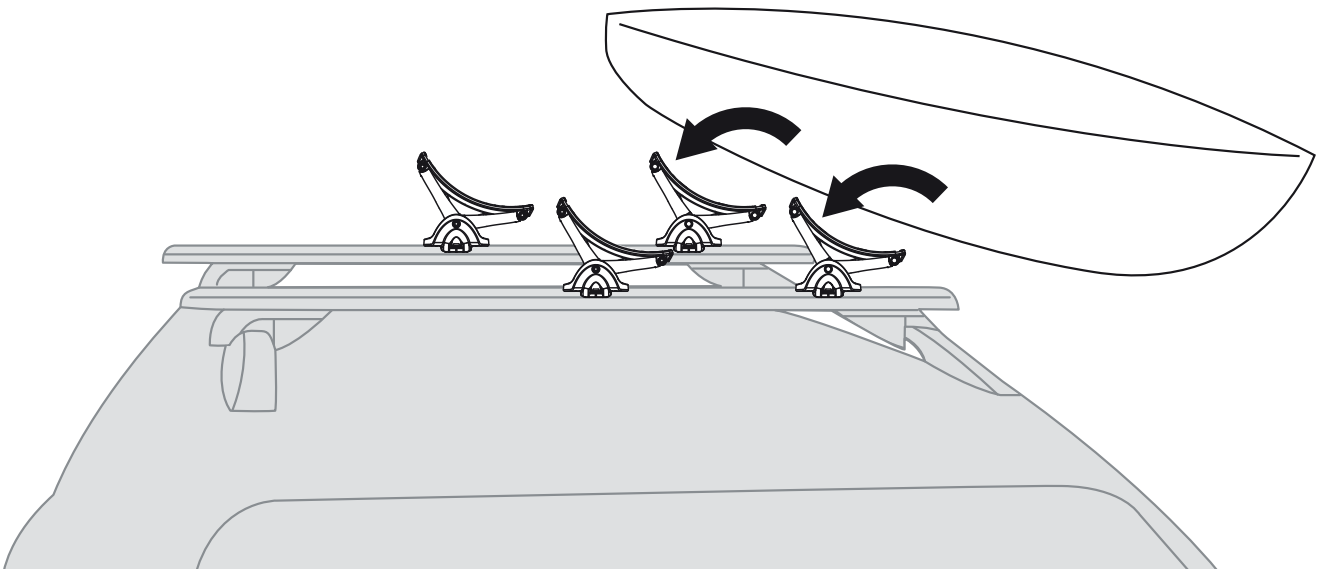


Rhino-Rack **NAUTIC SERIES** 570, 580

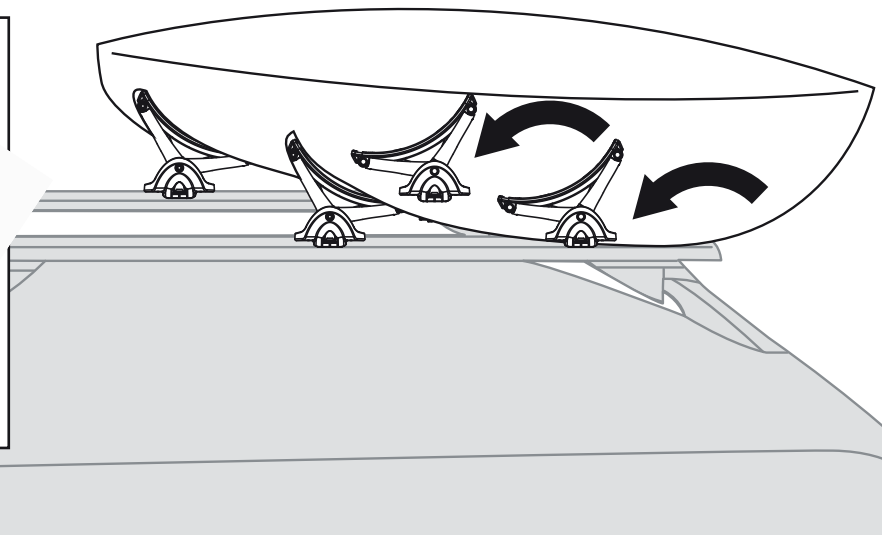
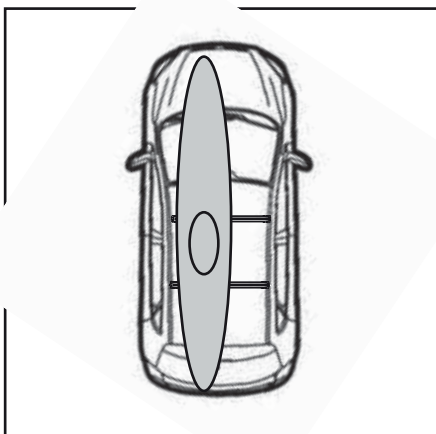
4 Rotate outer edge cradle for side loading



5 Load the kayak onto the cradles. It may be necessary to readjust the position to ensure it fits securely



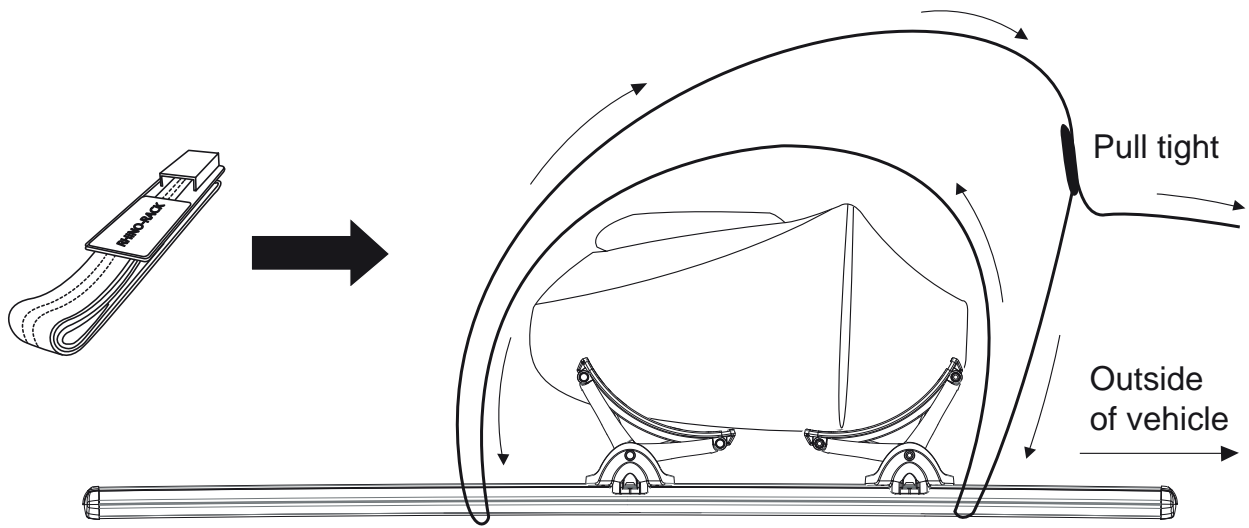
6 Make sure the kayak is in line with the vehicle as shown



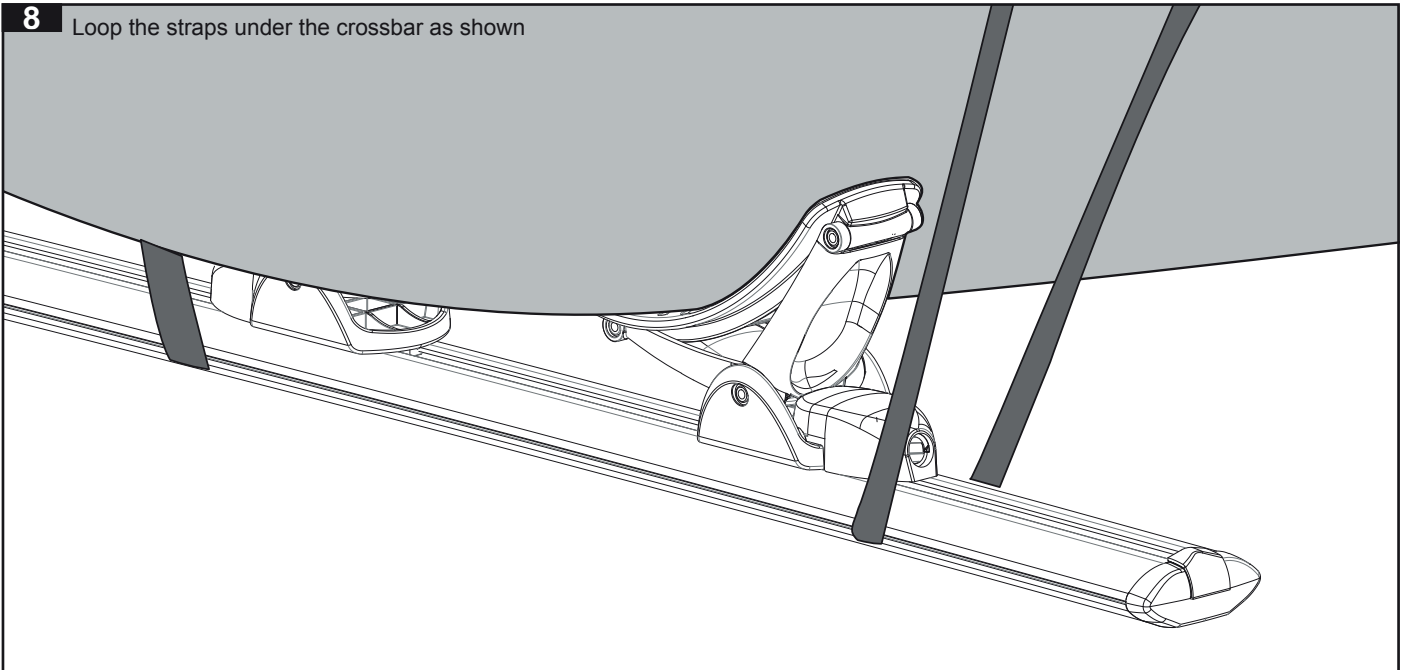


Rhino-Rack **NAUTIC SERIES** 570, 580

7 Straps should always pass under the crossbar as shown



8 Loop the straps under the crossbar as shown



9 Bow and stern tie downs should always be used

