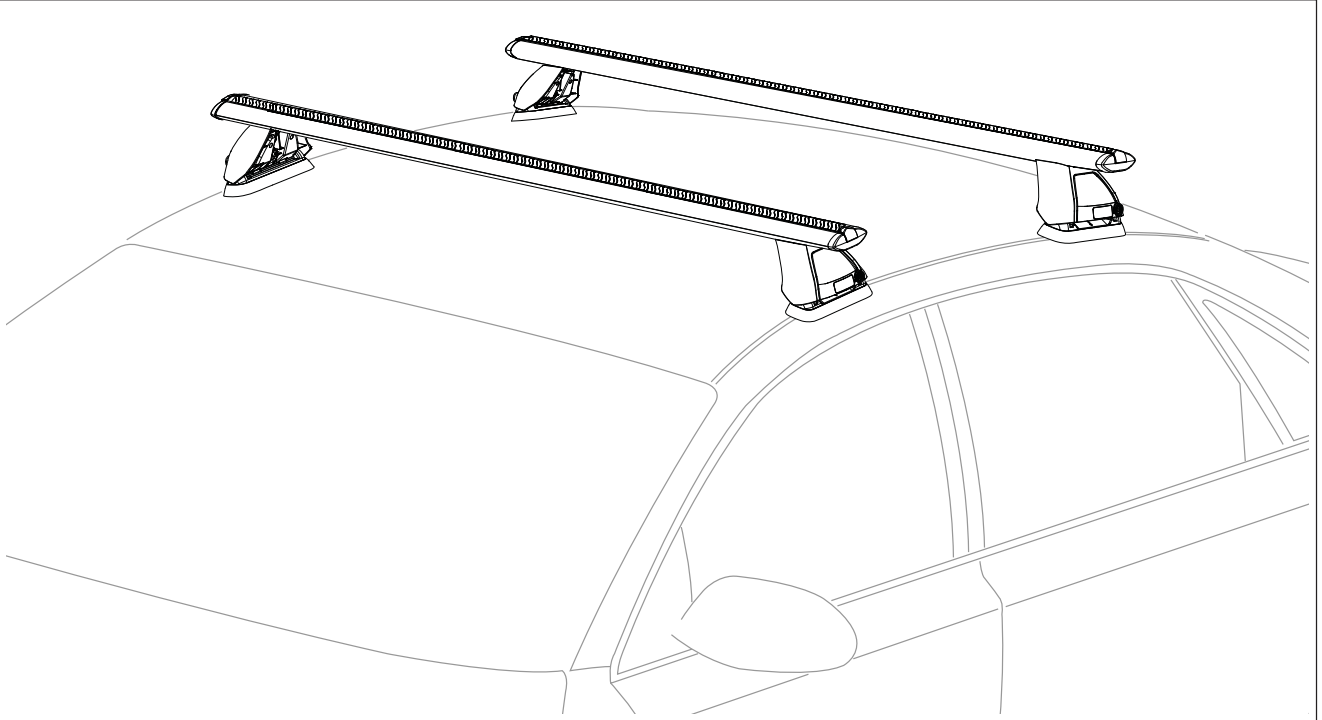




# RHINO-RACK

## Rhino 2500FMP - Two Crossbar System

**Important:** Please refer to your fitting instruction to ensure that the roof racks are installed in the correct locations. Check the contents of kit before commencing fitment and report any discrepancies. Place these instructions in the vehicle's glove box after installation is complete.



**Maximum carrying capacity: 75kg (165lbs) evenly distributed over crossbars. Please refer to your vehicle manufacturers handbook and DK Specification sheet for maximum roof loading. Always use the lower of the two figures.**

### **Recommendations:**

It is essential that all bolt connections be checked after driving a short distance when you first install your crossbars. Bolt connections should be checked again at regular intervals (probably once a week is enough, depending on road conditions, usage, loads and distances travelled). You should also check the crossbars each time they are refitted. Make sure to fasten your load securely. Please ensure that all loads are evenly distributed and that the centre of gravity is kept as low as possible.

**Use only non-stretch fastening ropes or straps.**

### **Load Ratings**

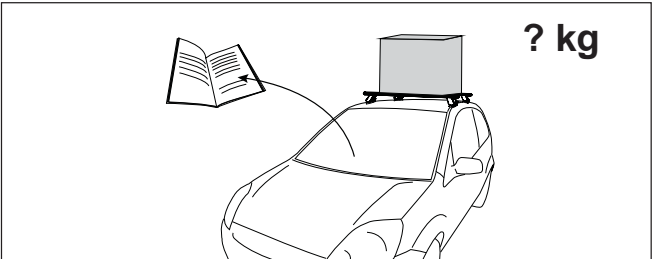
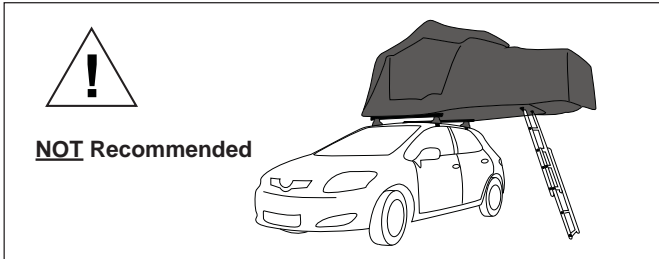
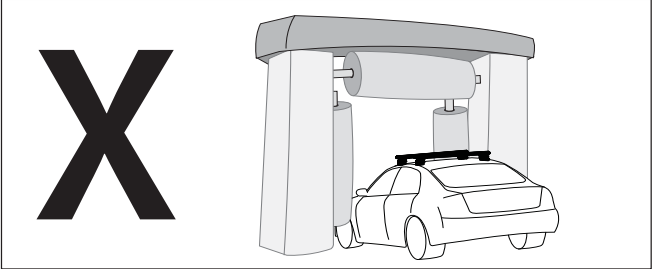
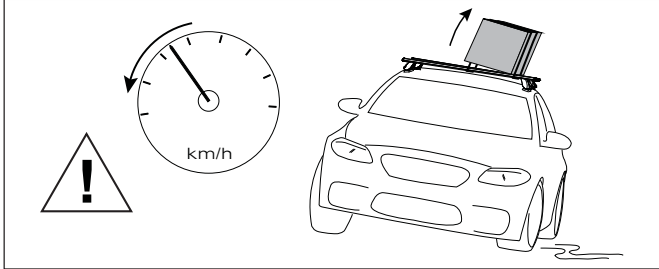
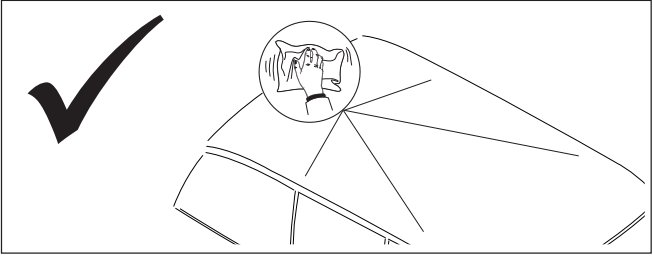
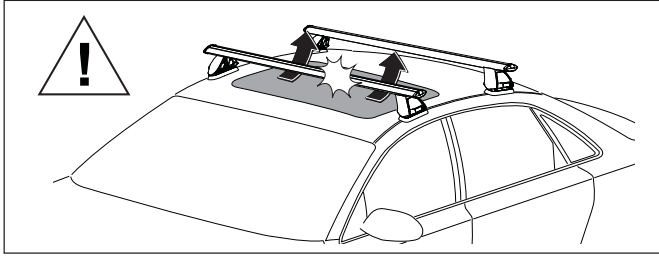
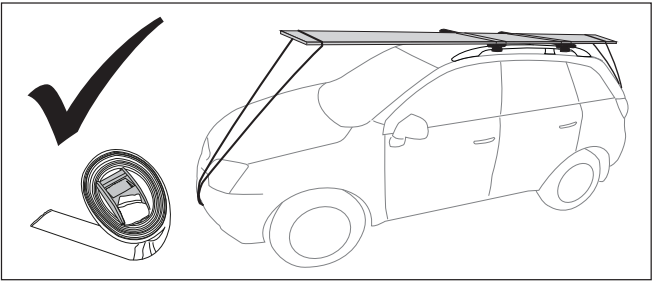
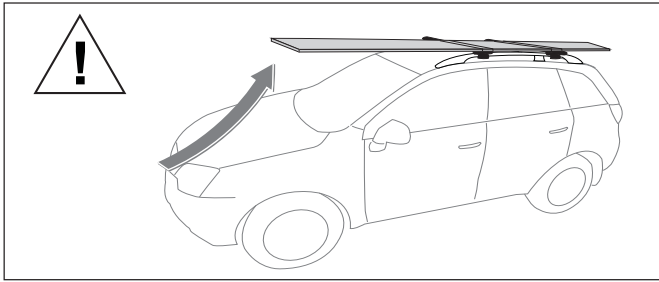
When these roof racks are to be used on a vehicle that is driven off sealed roads, the manufacturer maximum roof load rating (to be found in the vehicles User Manual) should be **halved**. For example, if the vehicles maximum roof load rating is 70kgs (subtract 5kg - weight of crossbar and legs), these racks, when fitted to this vehicle should have no more than 35kgs loaded.

### **Caution:**

The handling characteristics of the vehicle changes when you transport a load on the roof. For safety reasons we recommend you exercise extreme care when transporting wind-resistant loads. Special consideration must be taken into account when cornering and braking. **Please remove crossbars when putting vehicle through an automatic car wash.**



# Rhino 2500FMP Two Crossbar System



When these roof racks are to be used on a vehicle that is driven off sealed roads, the manufacturer maximum roof load rating (to be found in the vehicles User Manual) should be **halved**. Do not forget to subtract 5kg from your maximum carrying capacity due to the weight of the crossbars and legs.

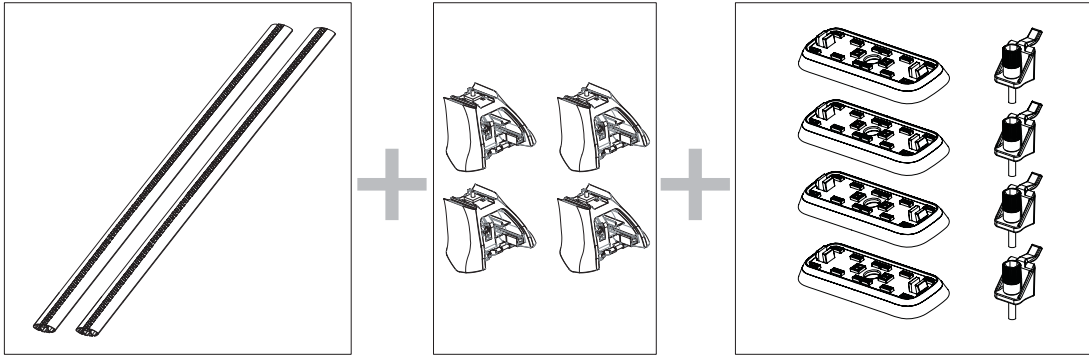
70kg load rating (Urban road)	=	35 kg load rating (Off road - 70kg / 2)
----------------------------------	---	--

**WARNING! Important Load Carrying Instructions**

With utility vehicles, the cabin and the canopy move independently. Roofracks and vehicle can be damaged if the item transported is rigidly fixed at points on both the cabin and canopy. Instead, rigidly fix to either the cabin roofracks or the canopy roofracks.

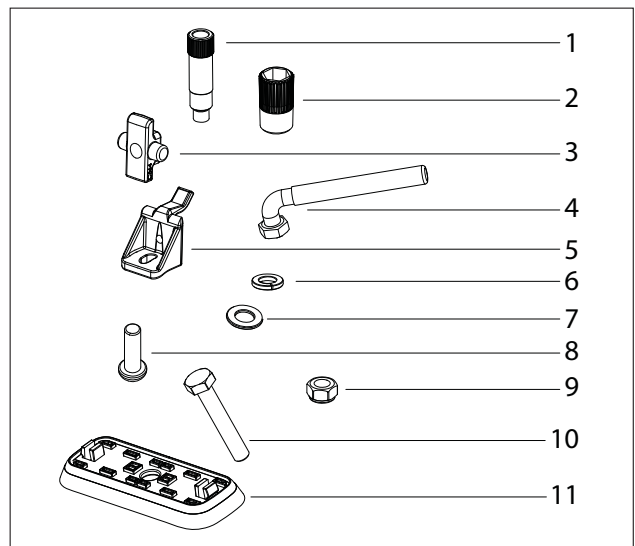


# Rhino 2500FMP Two Crossbar System



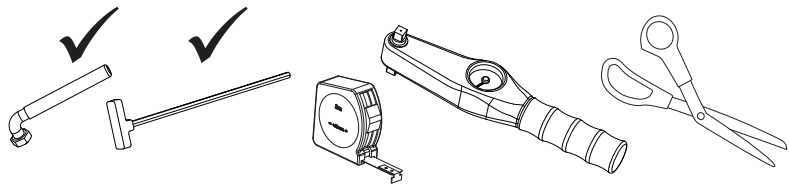
## Parts List

Item	Component Name	Qty	Part No.
1	Attachment stud ( <i>kit specific</i> )	4	-
2	Fastening knob	4	M554
3	Rear mount bracket	4	C564
4	10mm hex spanner	1	CA1026
5	Front mount bracket	4	C565
6	M6 spring washer	4	W004
7	M6 x 12.5mm flat washer	4	W003
8	M6 x 20mm security screw	4	B062
9	M6 nyloc nut	4	N013
10	M6 hex bolt ( <i>kit specific</i> )	4	-
11	FMP pad ( <i>kit specific</i> )	4	-
12	Fitting instruction	1	R083



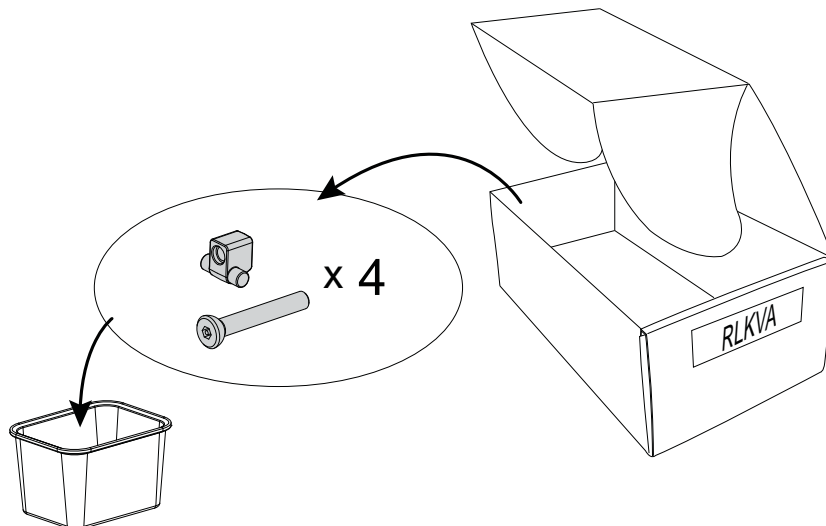
### Tools required:

- Security Allen key, provided.
- Hex spanner, provided.
- Tape measure
- Torque wrench
- Scissors



Refer to DK specification sheet for correct roof rack placement on your vehicle.

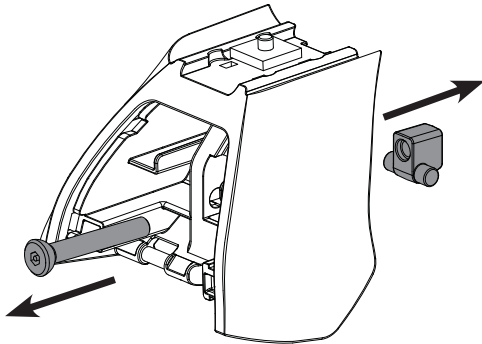
Discard parts shown below from RLKVA.



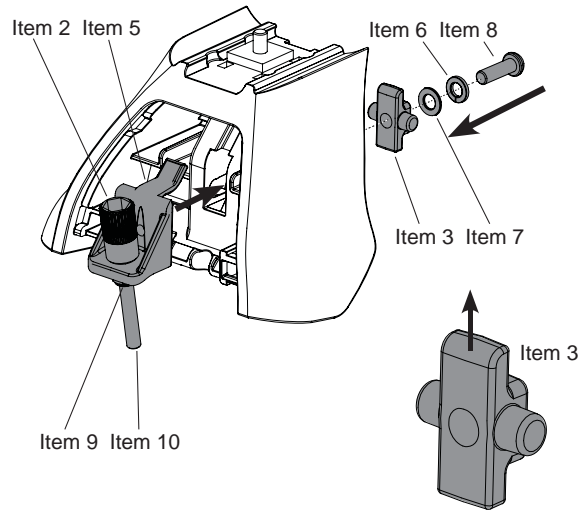


# Rhino 2500FMP Two Crossbar System

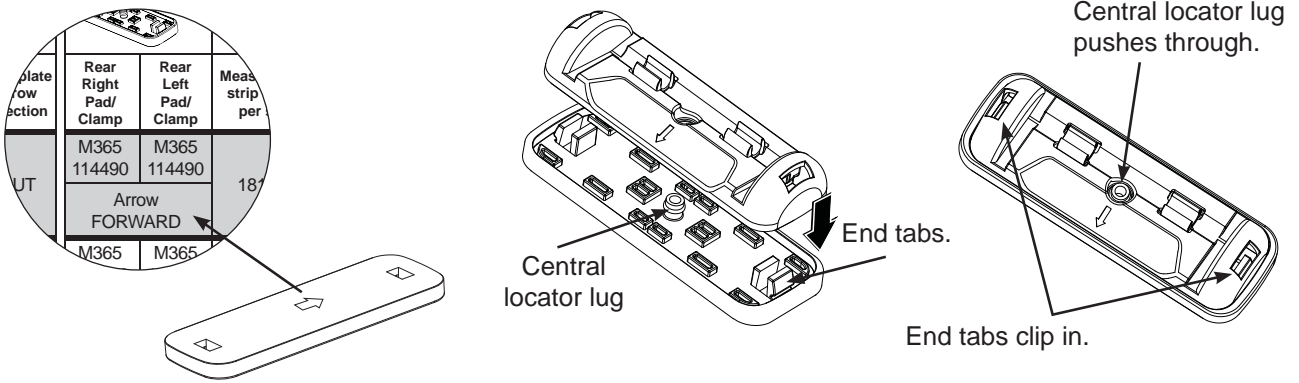
**1** Remove M8 bolt and M8 nut.



**2** Attach hardware.

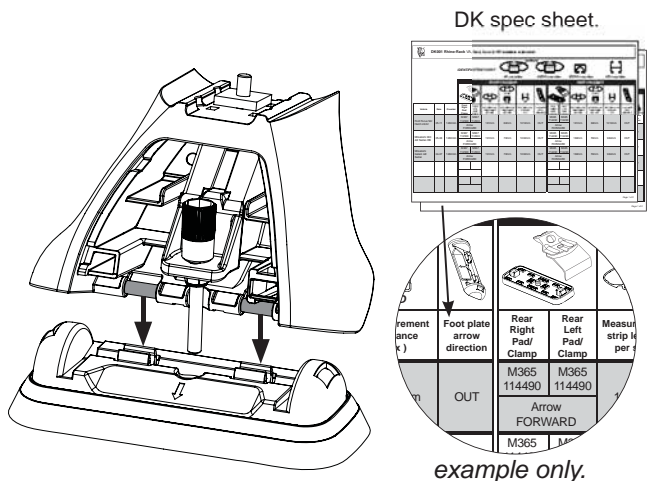


**3** Clip rubber pad onto foot plate. Pad central locator lug and end tabs must fully locate into the foot plate.  
*Note: Certain rubber pad sets have a DK supplement sheet to show correct orientation.*



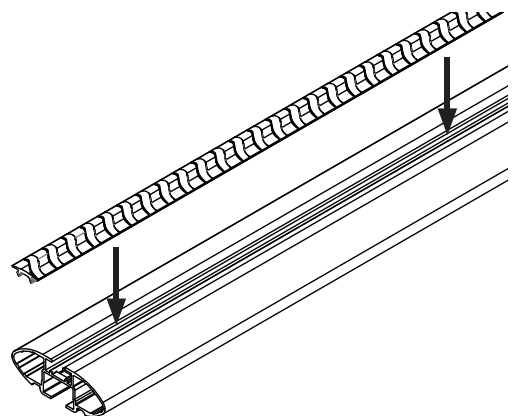
*example only.*

**4** Clip foot plate onto base of the leg with the arrow facing **In** or **Out** according to your vehicle listed in the DK specification sheet.



*example only.*

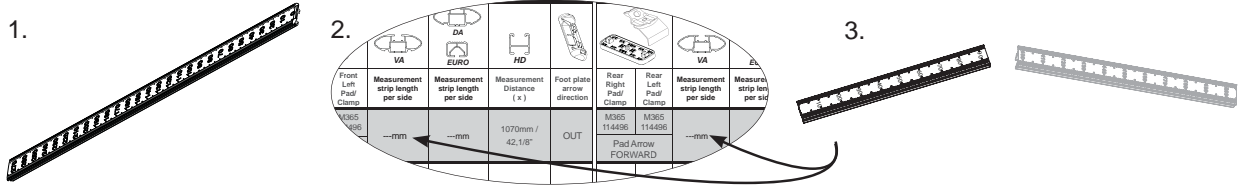
**5** Insert crossbar rubber.



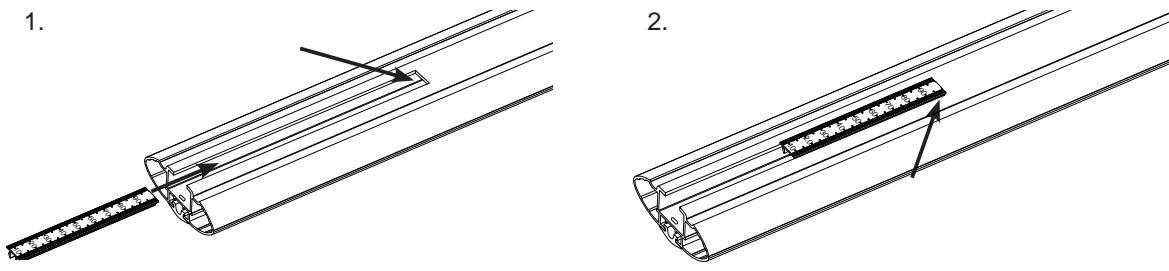


# Rhino 2500FMP Two Crossbar System

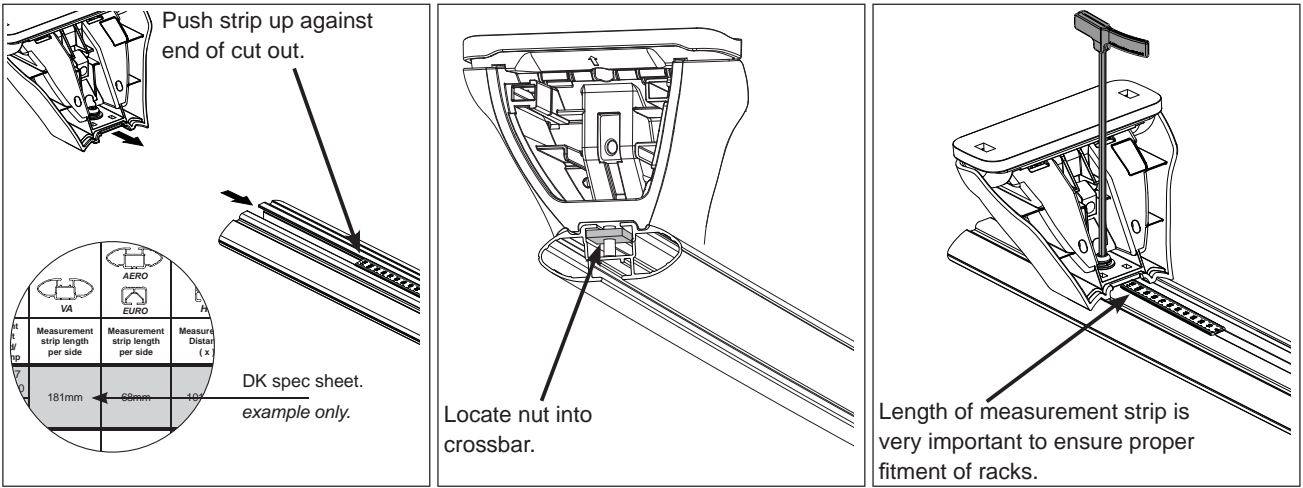
**6** Cut for Front & Rear. Refer DK sheet and DA kit for parts.



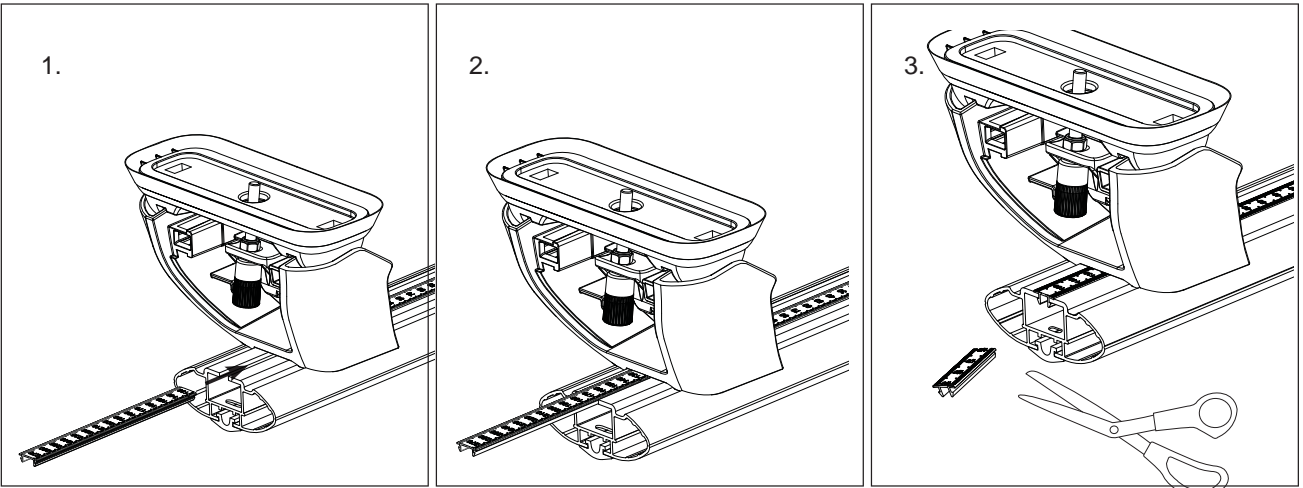
**7** Slide into each end of crossbar until it stops.



**8** Tighten M6 screw with Allen key provided to 4 Nm (35 lbf.in).



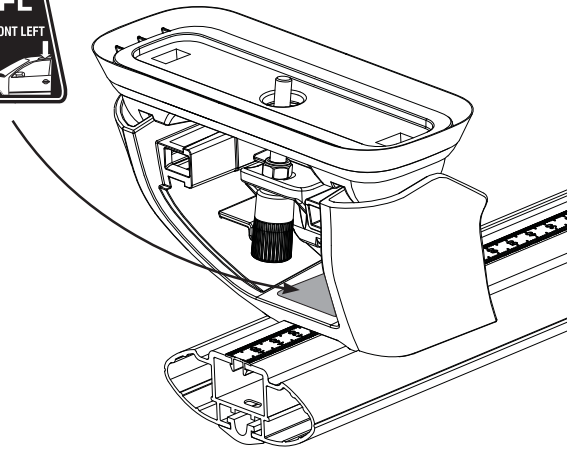
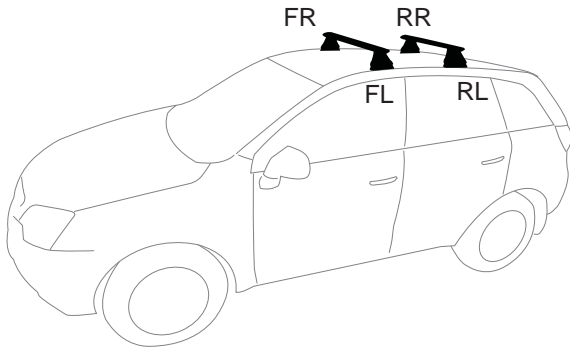
**9**





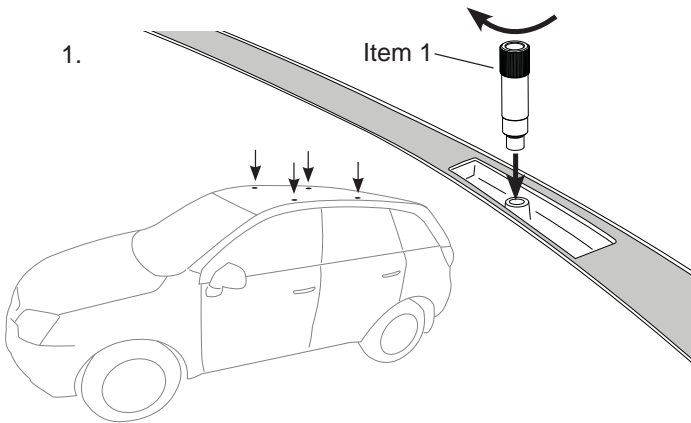
## Rhino 2500FMP Two Crossbar System

**10** Attach location decals.

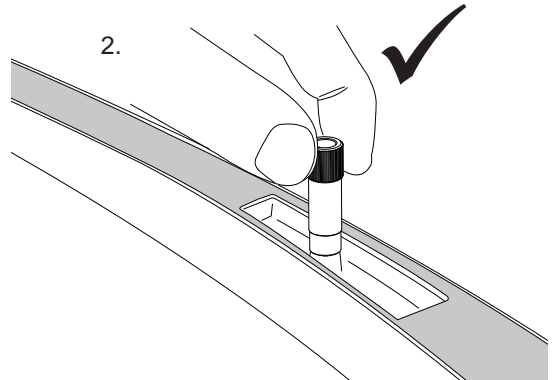


**11** Attach 4 studs. Tighten using fingers only.

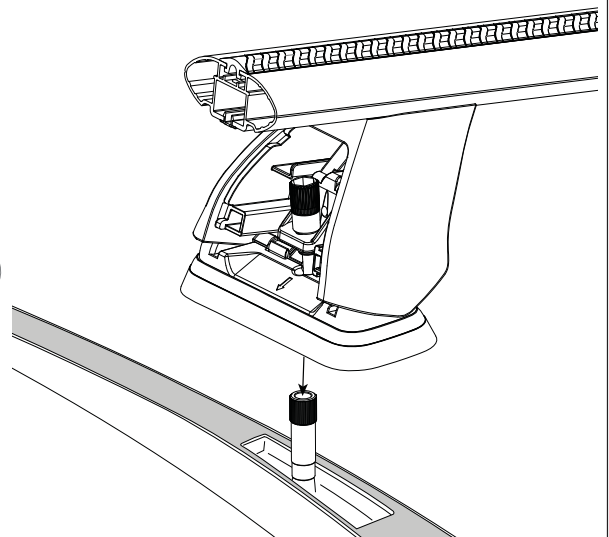
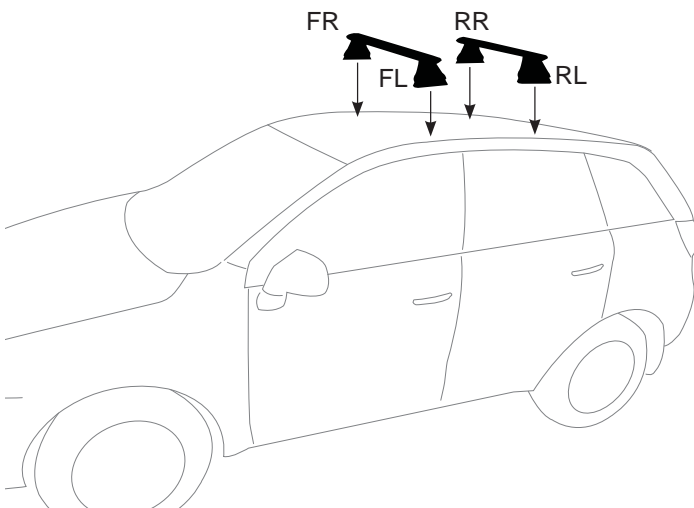
1.



2.



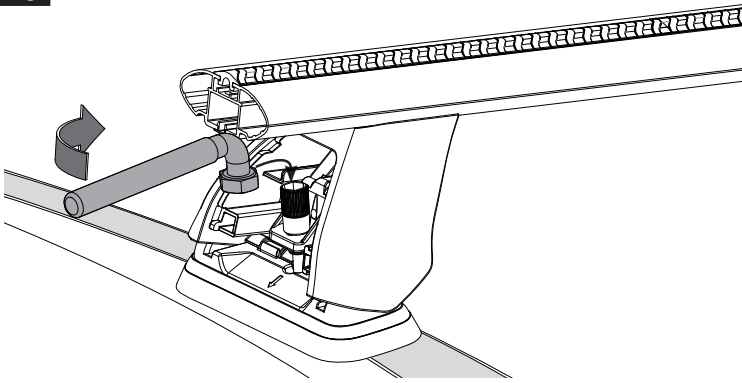
**12** Attach crossbars.





## Rhino 2500FMP Two Crossbar System

**13**

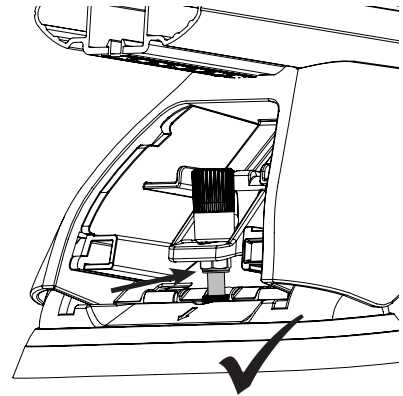
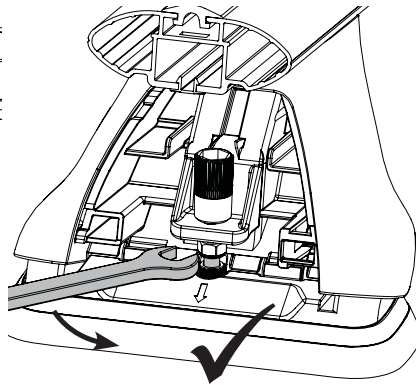
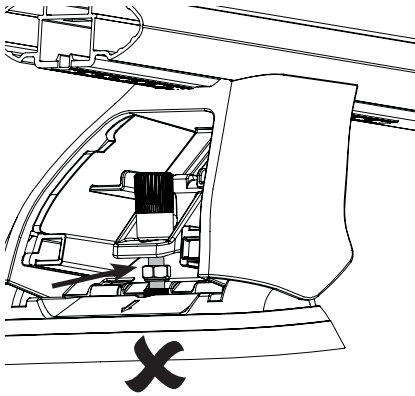


Locate M6 screw into stud. Tighten plastic bolt housing alternately both sides.  
Tighten 3-4 Nm, 26-35 lbf.in.

Ensure rubber gasket flares evenly and no edges are tucked under.

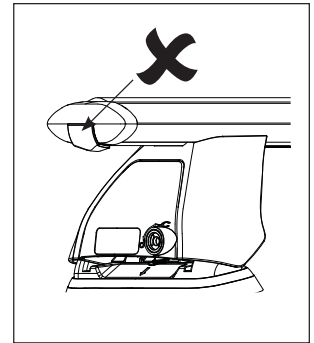
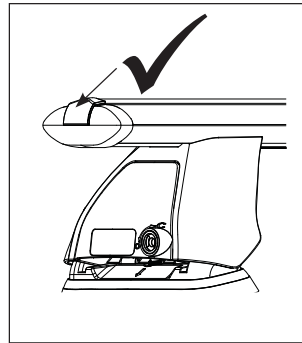
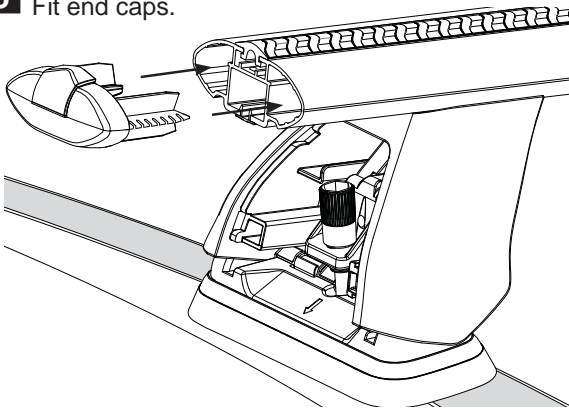
**14**

Tighten M6 Nyloc nut against underside of metal bracket. 1-2 Nm, 9-18 lbf.in. Do not over tighten.



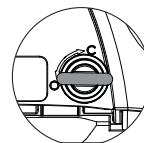
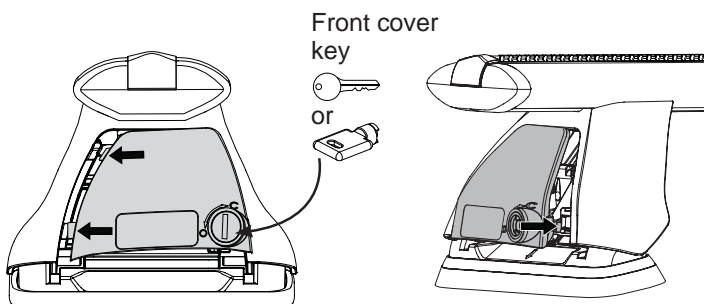
**15**

Fit end caps.

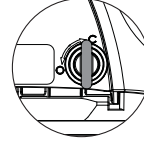


**16**

Attach front cover.

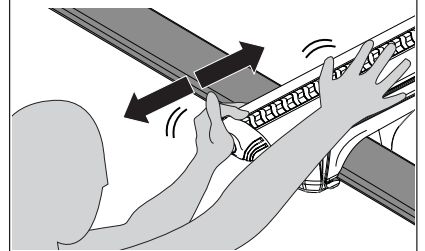


Open



Closed

Check Racks are secure.



Note: SX100 pictured.