



DK082 Rhino-Rack VA, Aero, Euro & HD crossbar instruction

Measurement A: CENTRE of door jamb to CENTRE arrow of leg foot plate.

Measurement B: CENTRE of Front leg foot plate arrow to CENTRE of Rear leg foot plate arrow.

Carrying capacity: Roof rack is rated to 75kg. Please refer to manufacturers handbook for your vehicles maximum roof load capacity. Always use the lower of the two figures.

Fitting note.

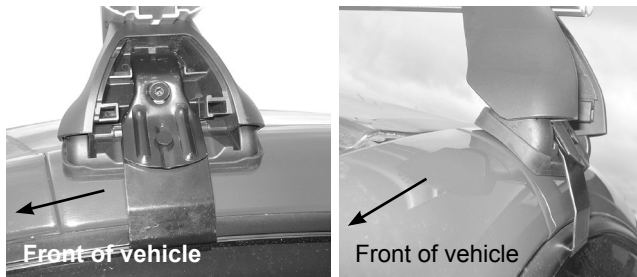
Mitsubishi Eclipse.

NOTE:

Subaru

clips in using the same method.

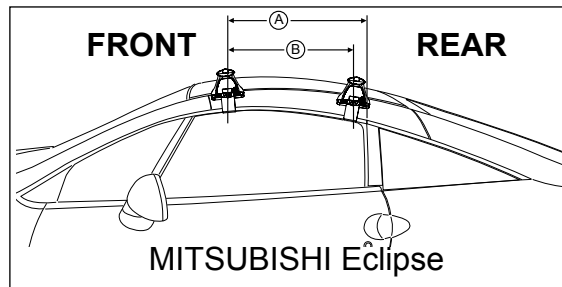
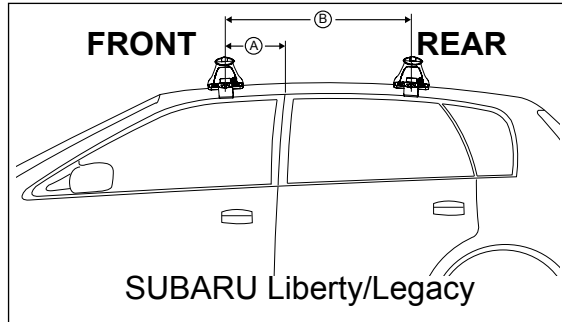
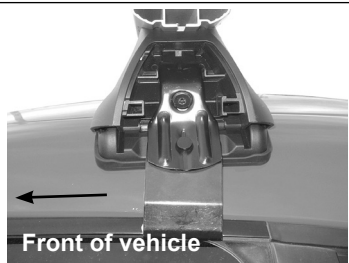
Front left pad M366 shown in position.



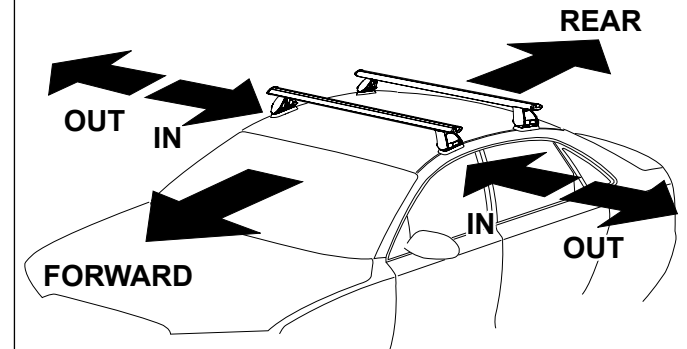
Fitting note.

Mitsubishi Eclipse.

Rear left pad M366 shown in position.



Direction of Pad, Arrow and Foot Plates



VEHICLE	Date	Measurement A	Measurement B	Load Rating (includes racks 5kg/ 11lbs)
Subaru Liberty BL/BP 4dr Sedan	2004-2009	250mm / 9,27/32"	700mm / 27,9/16"	75kg / 165lbs
Subaru Legacy BL/BP 4dr Sedan	2004-2009	250mm / 9,27/32"	700mm / 27,9/16"	75kg / 165lbs
Mitsubishi Eclipse 2dr coupe	2006 on	560mm / 22,3/64"	490mm / 19,19/64"	30kg / 66lbs