



DK155 Rhino-Rack VA, Aero, Euro & HD crossbar instruction

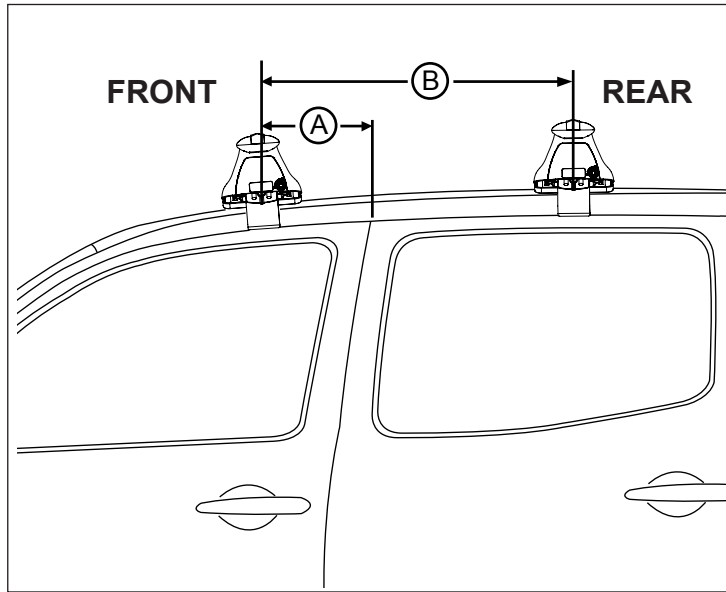
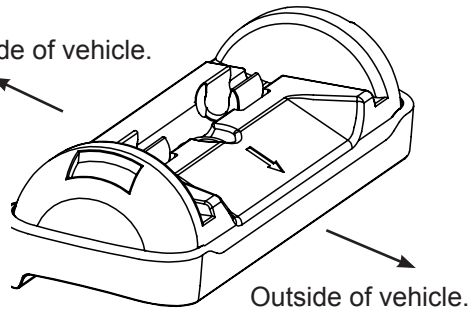
Measurement A: CENTRE of door jamb to CENTRE arrow of leg foot plate.

Measurement B: CENTRE of Front leg foot plate arrow to CENTRE of Rear leg foot plate arrow.

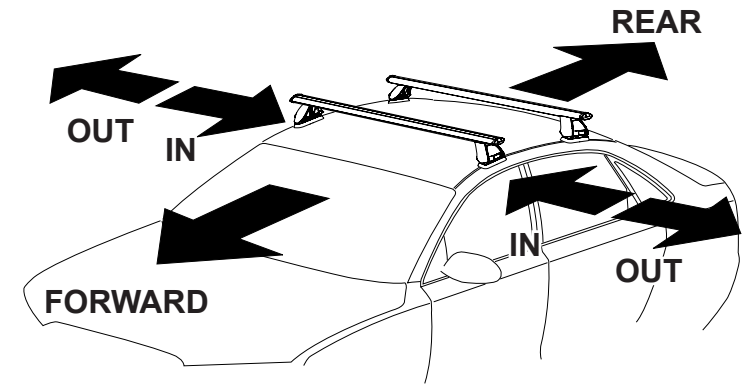
Carrying capacity: Roof rack is rated to 75kg. Please refer to manufacturers handbook for your vehicles maximum roof load capacity. Always use the lower of the two figures.

*M368 Pad orientation. Foot ARROW out.
Pad ARROW out.

Inside of vehicle.



Direction of Pad, Arrow and Foot Plates



VEHICLE	Date	Measurement A	Measurement B	Load Rating (includes racks 5kg/11lbs)
Honda Ridgeline 4dr Pickup	2005 on	260mm / 10,15/64"	750mm / 29,17/32"	75kg / 110lbs