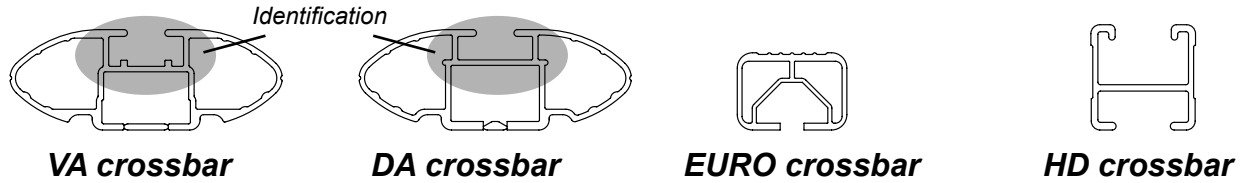


**IDENTIFICATION CHART**

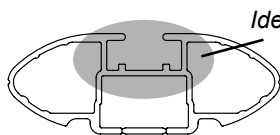


| Vehicle                      | Date              | Crossbar | FRONT CROSSBAR        |                      |                                   |                                   |                          | REAR CROSSBAR              |                      |                     |                                   |                                   |
|------------------------------|-------------------|----------|-----------------------|----------------------|-----------------------------------|-----------------------------------|--------------------------|----------------------------|----------------------|---------------------|-----------------------------------|-----------------------------------|
|                              |                   |          | Front Right Pad/Clamp | Front Left Pad/Clamp | Measurement strip length per side | Measurement strip length per side | Measurement Distance (x) | Foot plate arrow direction | Rear Right Pad/Clamp | Rear Left Pad/Clamp | Measurement strip length per side | Measurement strip length per side |
| Audi A3 5dr Hatch            | 04-12             | 1180mm   | M366 SUB0144          | 202mm                | 147mm                             | 972mm / 38,17/64"                 | OUT                      | M366 SUB0144               | 176mm                | 121mm               | 920mm / 36,7/32"                  | OUT                               |
|                              |                   |          | Pad Arrow FORWARD     |                      |                                   |                                   |                          | Pad Arrow FORWARD          |                      |                     |                                   |                                   |
| Holden Jackaroo 4dr Wagon    | 03/98-02/01       | 1375mm   | M366 SUB0144          | 165mm                | 110mm                             | 1093mm / 43,1/32"                 | OUT                      | M366 SUB0144               | 161mm                | 106mm               | 1085mm / 42,23/32"                | OUT                               |
|                              |                   |          | Pad Arrow FORWARD     |                      |                                   |                                   |                          | Pad Arrow FORWARD          |                      |                     |                                   |                                   |
| Suzuki APV Van               | 06/05-            | 1260mm   | M366 SUB0144          | 193mm                | 80mm                              | 1034mm / 40,45/64"                | OUT                      | M366 SUB0144               | 189mm                | 76mm                | 1026mm / 40,25/64"                | OUT                               |
|                              |                   |          | Pad Arrow FORWARD     |                      |                                   |                                   |                          | Pad Arrow FORWARD          |                      |                     |                                   |                                   |
| Mitsubishi Grandis 4dr Wagon | 07/06-11          | 1260mm   | M366 SUB0144          | 201mm                | 88mm                              | 105mm / 41,11/32"                 | OUT                      | M366 SUB0144               | 202mm                | 89mm                | 1052mm / 41,27/64"                | OUT                               |
|                              |                   |          | Pad Arrow FORWARD     |                      |                                   |                                   |                          | Pad Arrow FORWARD          |                      |                     |                                   |                                   |
| Kia Rondo/ Carens 4dr Wagon  | USA 07-12         | 1260mm   | M366 SUB0144          | 185mm                | 72mm                              | 1018mm / 40,5/64"                 | OUT                      | M366 SUB0144               | 177mm                | 64mm                | 1002mm / 39,29/64"                | OUT                               |
|                              | AU/NZ 04/08-04/13 |          | Pad Arrow FORWARD     |                      |                                   |                                   |                          | Pad Arrow FORWARD          |                      |                     |                                   |                                   |

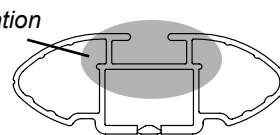


# DK046/DK046H Rhino-Rack VA, DA, Euro & HD Crossbar instruction

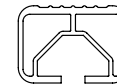
## IDENTIFICATION CHART



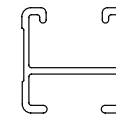
VA crossbar



DA crossbar



EURO crossbar



HD crossbar

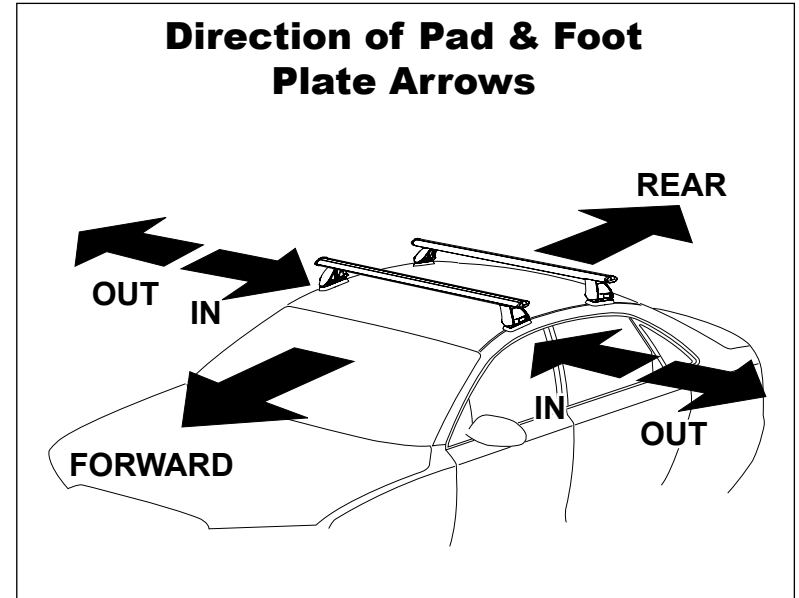
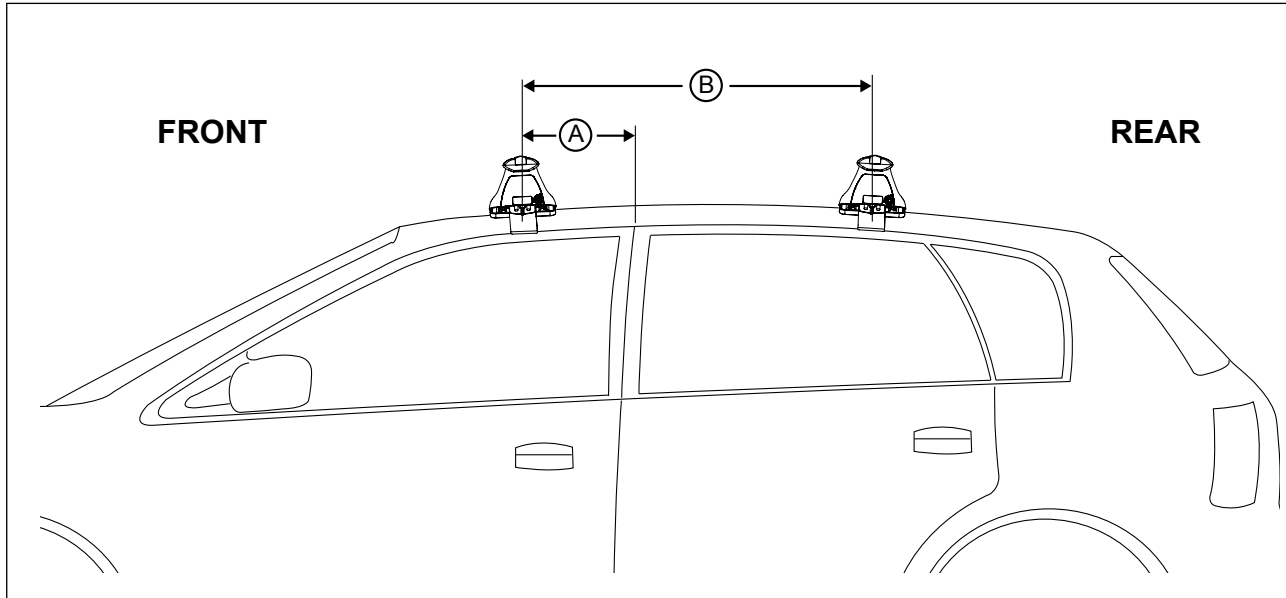
| Vehicle                      | Date  | Crossbar | FRONT CROSSBAR         |                       |                                   |                                   |                            | REAR CROSSBAR              |                       |                      |                                   |                                   |
|------------------------------|-------|----------|------------------------|-----------------------|-----------------------------------|-----------------------------------|----------------------------|----------------------------|-----------------------|----------------------|-----------------------------------|-----------------------------------|
|                              |       |          | Front Right Pad/ Clamp | Front Left Pad/ Clamp | Measurement strip length per side | Measurement strip length per side | Measurement Distance ( x ) | Foot plate arrow direction | Rear Right Pad/ Clamp | Rear Left Pad/ Clamp | Measurement strip length per side | Measurement strip length per side |
| Ford Fiesta 5dr Hatch        | 09-   | 1180mm   | M366 SUB0144           | 199mm                 | 144mm                             | 966mm / 38,1/32"                  | OUT                        | M366 SUB0144               | 175mm                 | 120mm                | 918mm / 36,9/64"                  | OUT                               |
|                              |       |          | Pad Arrow FORWARD      |                       |                                   |                                   |                            | Pad Arrow FORWARD          |                       |                      |                                   |                                   |
| BMW 5 Series 4dr Sedan E60   | 03-10 | 1260mm   | M366 SUB0144           | 184mm                 | 71mm                              | 1016mm / 40"                      | OUT                        | M366 SUB0144               | 185mm                 | 72mm                 | 1018mm / 40,5/64"                 | OUT                               |
|                              |       |          | Pad Arrow FORWARD      |                       |                                   |                                   |                            | Pad Arrow FORWARD          |                       |                      |                                   |                                   |
| Dodge Avenger 4dr Sedan      | 08-   | 1260mm   | M366 SUB0144           | 194mm                 | 81mm                              | 1036mm / 40,25/32"                | OUT                        | M366 SUB0144               | 189mm                 | 76mm                 | 1026mm / 40,25/64"                | OUT                               |
|                              |       |          | Pad Arrow FORWARD      |                       |                                   |                                   |                            | Pad Arrow FORWARD          |                       |                      |                                   |                                   |
| Toyota Tacoma 4dr Access Cab | 05-   | 1375mm   | M366 SUB0144           | 163mm                 | 108mm                             | 1089mm / 42,7/8"                  | OUT                        | M366 SUB0144               | 153mm                 | 98mm                 | 1069mm / 42,3/32"                 | OUT                               |
|                              |       |          | Pad Arrow FORWARD      |                       |                                   |                                   |                            | Pad Arrow FORWARD          |                       |                      |                                   |                                   |
| Toyota Tacoma 2dr Reg. Cab   | 05-   | 1375mm   | M366 SUB0144           | 164mm                 | 109mm                             | 1091mm / 42,61/64"                | OUT                        | M366 SUB0144               | N/A                   | N/A                  | N/A                               | N/A                               |
|                              |       |          | Pad Arrow FORWARD      |                       |                                   |                                   |                            | Pad Arrow FORWARD          |                       |                      |                                   |                                   |

# DK046/DK046H Rhino-Rack VA, DA, Euro & HD [Crossbar](#) instruction

**Measurement A:** CENTRE of door jamb to CENTRE arrow of leg foot plate.

**Measurement B:** CENTRE of Front leg foot plate arrow to CENTRE of Rear leg foot plate arrow.

**Carrying capacity:** Roof rack is rated to 75kg. Please refer to manufacturers handbook for your vehicles maximum roof load capacity. Always use the lower of the two figures.



| VEHICLE                      | Date         |                      | Measurement A     | Measurement B     | Load Rating<br>(includes racks 5kg/ 11lbs) |
|------------------------------|--------------|----------------------|-------------------|-------------------|--|
| Audi A3 5dr Hatch            | 04-12        |                      | 300mm / 11,13/16" | 750mm / 29,17/32" | 75kg / 165lbs                              |
| Holden Jackaroo 4dr Wagon    | 03/98-02/01  |                      | 250mm / 9,27/32"  | 850mm / 33,15/32" | 75kg / 165lbs                              |
| Suzuki APV Van               | 06/05-       |                      | 200mm / 7,7/8"    | 900mm / 35,7/16"  | 75kg / 165lbs                              |
| Mitsubishi Grandis 4dr Wagon | 07/06-11     |                      | 50mm / 1,31/32"   | 750mm / 29,17/32" | 60kg / 132lbs                              |
| Kia Rondo/Carens 4dr Wagon   | USA<br>07-12 | AU/NZ<br>04/08-04/13 | 200mm / 7,7/8"    | 750mm / 29,17/32" | 75kg / 165lbs                              |
| Ford Fiesta 5dr Hatch        | 09-          |                      | 250mm / 9,27/32"  | 750mm / 29,17/32" | 50kg / 110lbs                              |

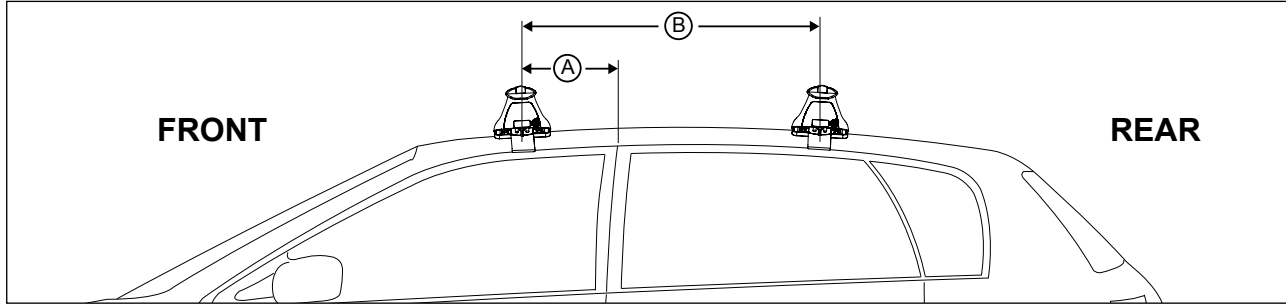


# DK046/DK046H Rhino-Rack VA, DA, Euro & HD Crossbar instruction

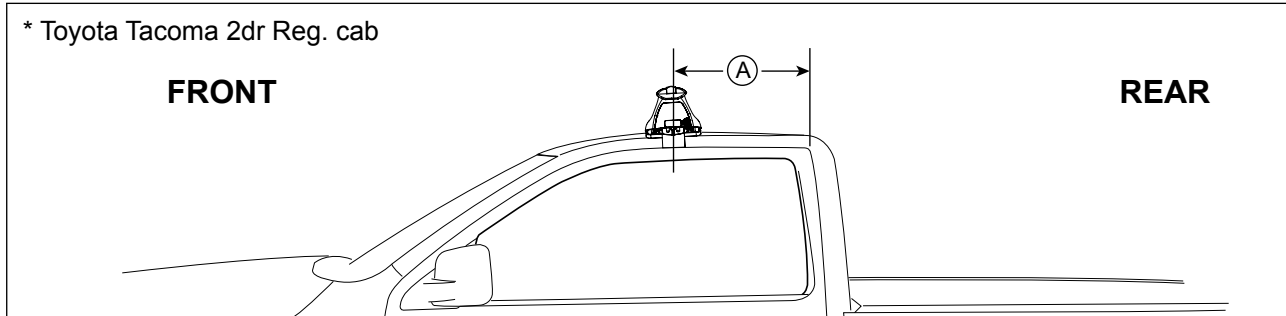
**Measurement A:** CENTRE of door jamb to CENTRE arrow of leg foot plate.

**Measurement B:** CENTRE of Front leg foot plate arrow to CENTRE of Rear leg foot plate arrow.

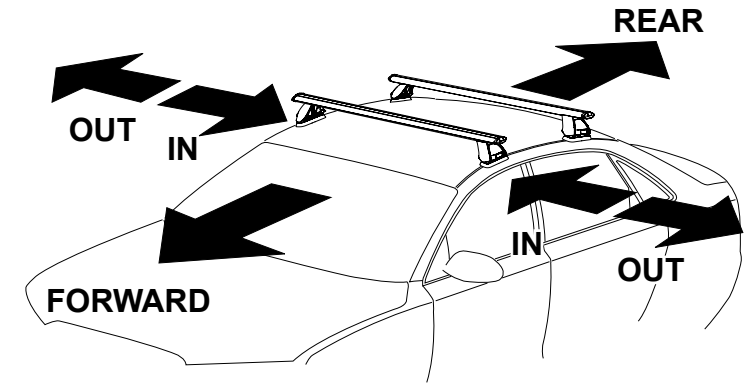
**Carrying capacity:** Roof rack is rated to 75kg. Please refer to manufacturers handbook for your vehicles maximum roof load capacity. Always use the lower of the two figures.



\* Toyota Tacoma 2dr Reg. cab



## Direction of Pad & Foot Plate Arrows



| VEHICLE                      | Date  | Measurement A     | Measurement B     | Load Rating<br>(includes racks 5kg/ 11lbs) |
|------------------------------|-------|-------------------|-------------------|--|
| BMW 5 Series 4dr Sedan E60   | 03-10 | 250mm / 9,27/32"  | 710mm / 27,61/64" | 75kg / 165lbs                              |
| Dodge Avenger 4dr Sedan      | 08-   | 300mm / 11,13/16" | 700mm / 27,9/16"  | 75kg / 165lbs                              |
| Toyota Tacoma 4dr Access Cab | 05-   | 280mm / 11,1/32"  | 650mm / 25,19/32" | 75kg / 165lbs                              |
| Toyota Tacoma 2dr Reg. Cab   | 05-   | 280mm / 11,1/32"  | N/A               | 30kg / 66lbs                               |