



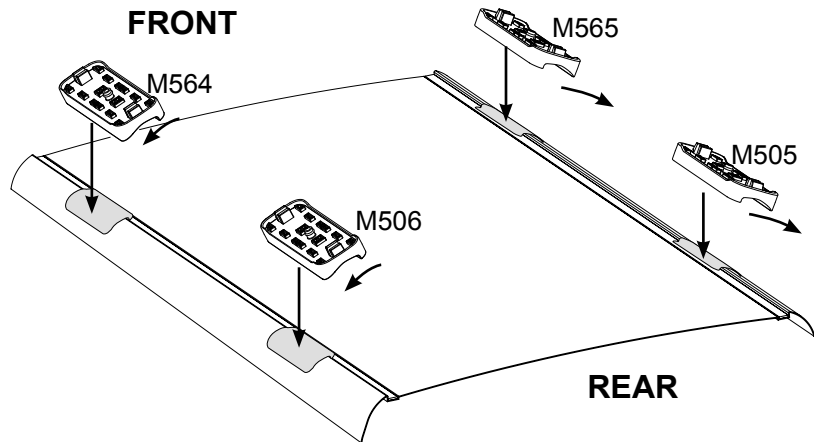
DK307 Rhino-Rack VA, Aero, Euro & HD crossbar instruction

Measurement A: CENTRE of door jamb to CENTRE arrow of leg foot plate.

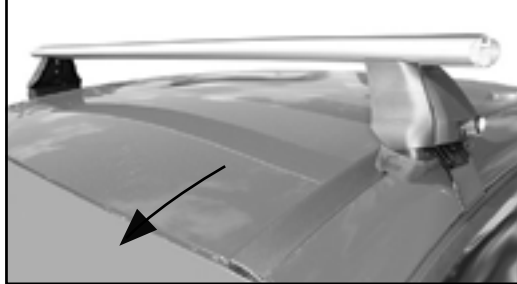
Measurement B: CENTRE of Front leg foot plate arrow to CENTRE of Rear leg foot plate arrow.

Carrying capacity: Roof rack is rated to 75kg. Please refer to manufacturers handbook for your vehicles maximum roof load capacity. Always use the lower of the two figures.

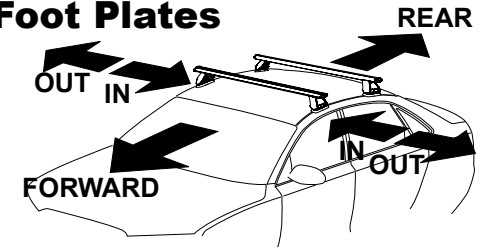
Pad M564 Front Left of Vehicle, Arrow outward
 Pad M565 Front Right of Vehicle, Arrow outward
 Pad M505 Rear Right of Vehicle, Arrow outward
 Pad M506 Rear Left of Vehicle, Arrow outward



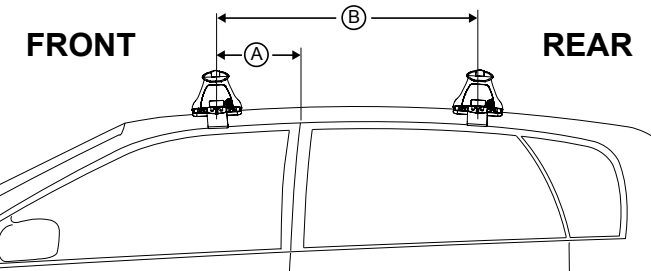
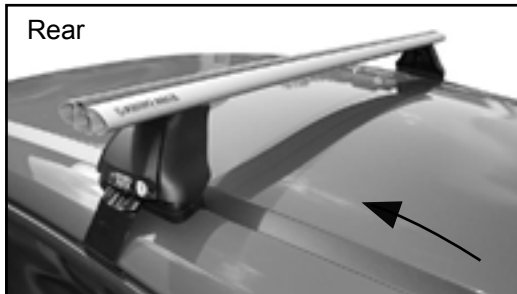
Front



Direction of Pad, Arrow and Foot Plates



Rear



VEHICLE	Date	Measurement A	Measurement B	Load Rating (includes racks 5kg/11lbs)
Ford Focus LW 4dr sedan MK1/MK2	2011-	275mm / 10,53/64"	720mm / 28,11/32"	75kg / 165lbs
Ford Focus LW 5dr hatch MK1/MK2	2011-	275mm / 10,53/64"	720mm / 28,11/32"	75kg / 165lbs