





# DK301 Rhino-Rack VA, Aero, Euro & HD crossbar instruction

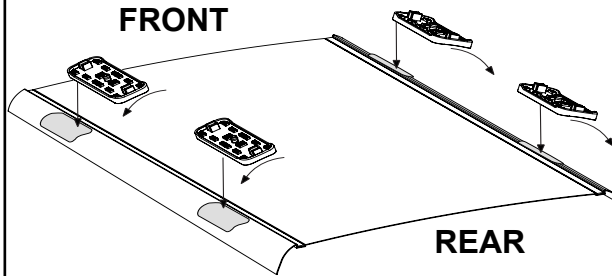
**Measurement A:** CENTRE of door jamb to CENTRE arrow of leg foot plate.

**Measurement B:** CENTRE of Front leg foot plate arrow to CENTRE of Rear leg foot plate arrow.

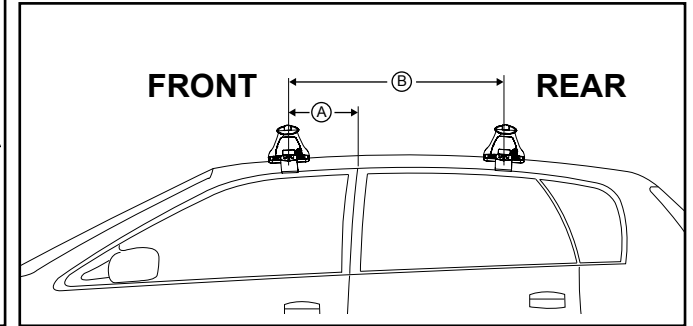
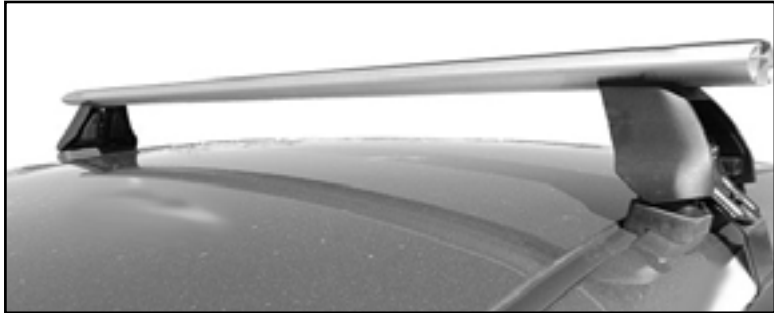
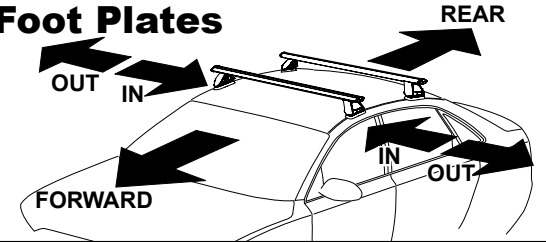
**Carrying capacity:** Roof rack is rated to 75kg. Please refer to manufacturers handbook for your vehicles maximum roof load capacity. Always use the lower of the two figures.



Pad 142696 FRONT Left of vehicle Arrow facing out.  
 Pad 142697 FRONT Right of vehicle Arrow facing out.  
 Pad 142696 REAR Right of vehicle Arrow facing out.  
 Pad 142697 REAR Left of vehicle Arrow facing out.



## Direction of Pad, Arrow and Foot Plates



| VEHICLE                   | Date  | Measurement A     | Measurement B     | Load Rating (includes racks 5kg/ 11lbs) |
|---------------------------|-------|-------------------|-------------------|---|
| Hyundai Elantra 4dr sedan | 2011- | 310mm / 12,13/64" | 650mm / 25,19/32" | 60kg / 132lbs                           |
|                           |       |                   |                   |   |
|                           |       |                   |                   |   |
|                           |       |                   |                   |   |
|                           |       |                   |                   |   |