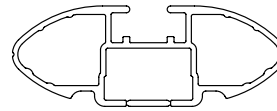
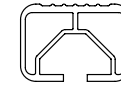


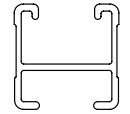
**CROSSBAR IDENTIFICATION**



**VA crossbar**



**EURO crossbar**



**HD crossbar**

			FRONT CROSSBAR						REAR CROSSBAR					
Vehicle	Date	Crossbar	Front Right Pad/Clamp	Front Left Pad/Clamp	Measurement strip length per side	Measurement strip length per side	Measurement Distance ( x )	Foot plate arrow direction	Rear Right Pad/Clamp	Rear Left Pad/Clamp	Measurement strip length per side	Measurement strip length per side	Measurement Distance ( x )	Foot plate arrow direction
Hyundai Tucson 4dr SUV	11-15	1260mm	M415 SUB0151	M414 SUB0151	189mm	76mm	1026mm / 40,25/64"	OUT	M416 SUB0257	M416 SUB0257	173mm	60mm	994mm / 39,9/64"	OUT
			Pad Arrow OUT						Pad Arrow OUT					
Hyundai ix35 4dr SUV	10-15	1260mm	M415 SUB0151	M414 SUB0151	189mm	76mm	1026mm / 40,25/64"	OUT	M416 SUB0257	M416 SUB0257	173mm	60mm	994mm / 39,9/64"	OUT
			Pad Arrow OUT						Pad Arrow OUT					



# Rhino Rack 2500 Series - DK201 instruction

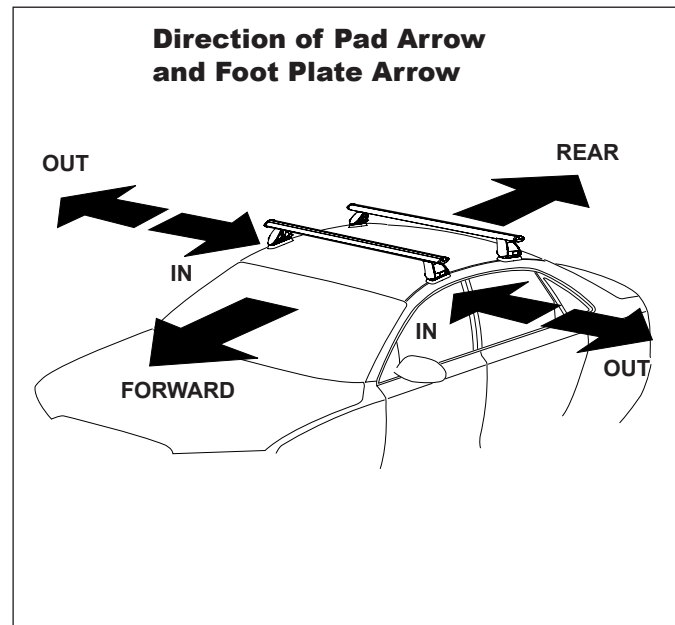
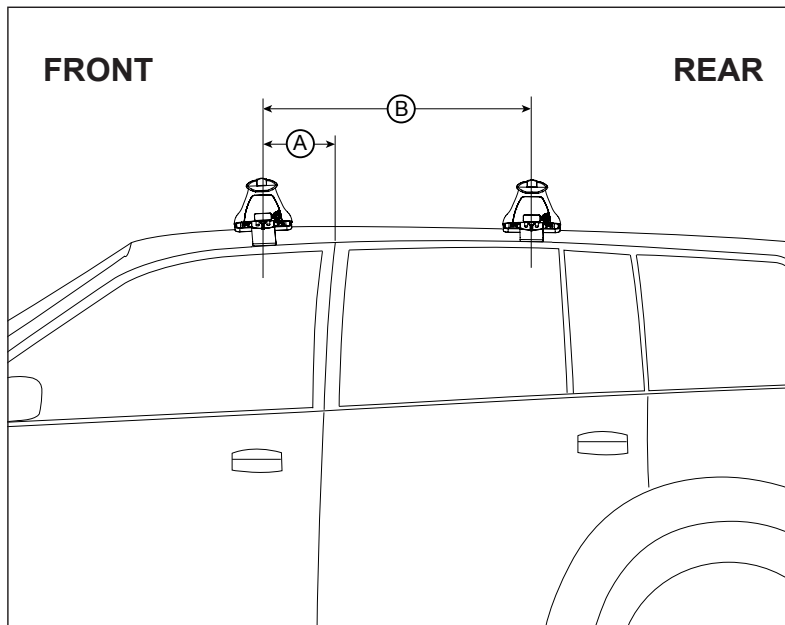
**Measurement A:** CENTRE of door jamb to CENTRE arrow of leg foot plate.

**Measurement B:** CENTRE of Front leg foot plate arrow to CENTRE of Rear leg foot plate arrow.

**Carrying capacity:** Roof rack is rated to 75kg. Please refer to manufacturers handbook for your vehicles maximum roof load capacity. Always use the lower of the two figures.



Pad M415 Front Right, arrow out.  
Pad M414 Front Left, arrow out.  
Pad M416 Rear Left & Right, arrow out.



VEHICLE	Date	Measurement A	Measurement B	Load Rating (includes racks 5kg/ 11lbs)
Hyundai Tucson 4dr SUV	11-15	170mm / 6,11/16"	670mm / 26,3/8"	75kg / 165lbs
Hyundai ix35 4dr SUV	10-15	170mm / 6,11/16"	670mm / 26,3/8"	75kg / 165lbs