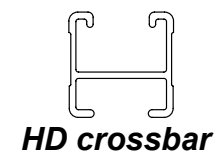
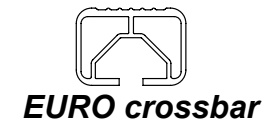
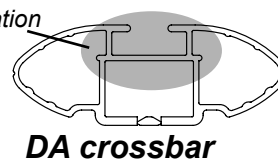
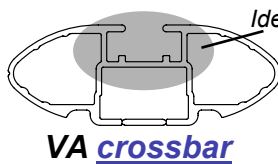


# Rhino-Rack 2500 Series - DK174/ DK174F instruction



## IDENTIFICATION CHART



### FRONT CROSSBAR

### REAR CROSSBAR

Vehicle	Date	Crossbar	FRONT CROSSBAR					REAR CROSSBAR				
			Front Right Pad/ Clamp	Front Left Pad/ Clamp	Measurement strip length per side	Measurement strip length per side	Measurement Distance ( x )	Foot plate arrow direction	Rear Right Pad/ Clamp	Rear Left Pad/ Clamp	Measurement strip length per side	Measurement strip length per side
Toyota Tacoma Double Cab	05-	1375mm	M366 SUB0150	155mm	100mm	1073mm / 42,1/4"	OUT	M366 SUB0145	156mm	101mm	1075mm / 42,21/64"	OUT
			Pad Arrow FORWARD					Pad Arrow FORWARD				
Volvo S60 4dr sedan	01-09	1260mm	M366 SUB0145	182mm	69mm	1012mm / 39,27/32"	OUT	M366 SUB0150	193mm	80mm	1034mm / 40,45/64"	OUT
			Pad Arrow FORWARD					Pad Arrow FORWARD				
Toyota Tacoma Double Cab (single front bar)	05-	1375mm	M366 SUB0150	155mm	100mm	1073mm / 42,1/4"	OUT	-	-	-	-	-
			Pad Arrow FORWARD					-				

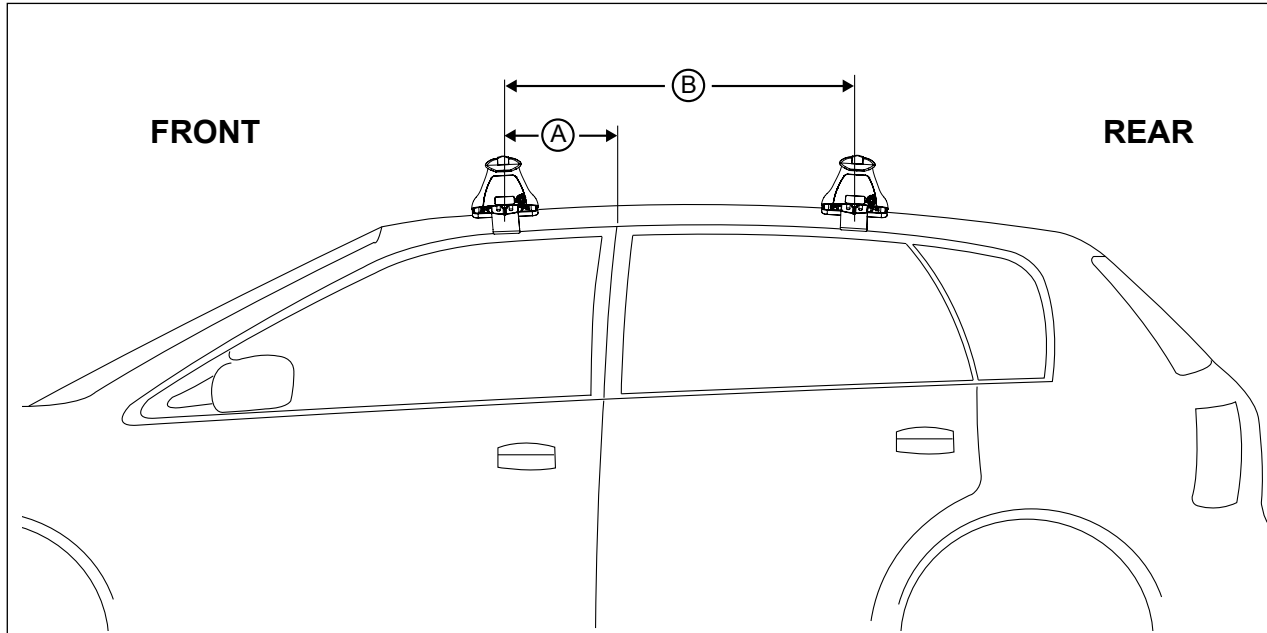


## Rhino-Rack 2500 Series - DK174/ DK174F instruction

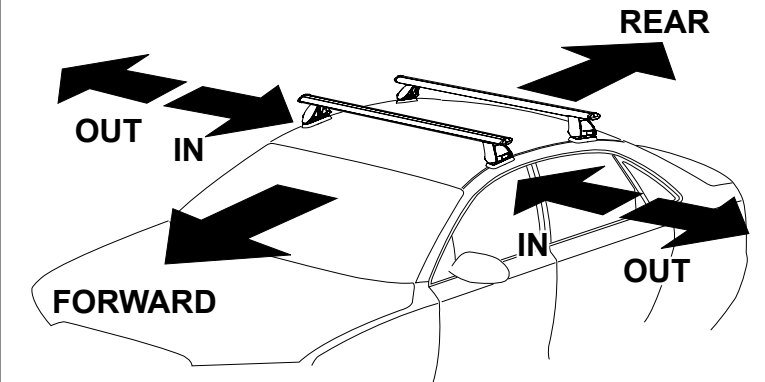
**Measurement A:** CENTRE of door jamb to CENTRE arrow of leg foot plate.

**Measurement B:** CENTRE of Front leg foot plate arrow to CENTRE of Rear leg foot plate arrow.

**Carrying capacity:** Roof rack is rated to 75kg. Please refer to manufacturers handbook for your vehicles maximum roof load capacity. Always use the lower of the two figures.



### Direction of Pad Arrow and Foot Plate Arrow



Vehicle	Date	Measurement A	Measurement B	Load Rating (includes racks 5kg/ 11lbs)
Toyota Tacoma Double Cab	05-	220mm/ 8,21/32"	800mm/ 31,1/2"	75kg/ 165lbs
Volvo S60 4dr sedan	01-09	360mm/ 14,11/64"	710mm/ 27,61/64"	75kg/ 165lbs
Toyota Tacoma Double Cab (single front bar)	05-	220mm/ 8,21/32"	-	35kg/ 77lbs