





# DK082 Rhino-Rack VA, Aero, Euro & HD crossbar instruction

**Measurement A:** CENTRE of door jamb to CENTRE arrow of leg foot plate.

**Measurement B:** CENTRE of Front leg foot plate arrow to CENTRE of Rear leg foot plate arrow.

**Carrying capacity:** Roof rack is rated to 75kg. Please refer to manufacturers handbook for your vehicles maximum roof load capacity. Always use the lower of the two figures.

**Fitting note.**

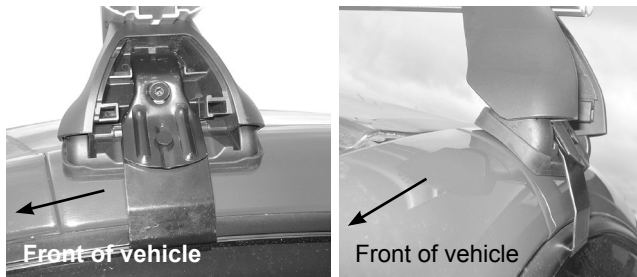
Mitsubishi Eclipse.

**NOTE:**

Subaru

clips in using the same method.

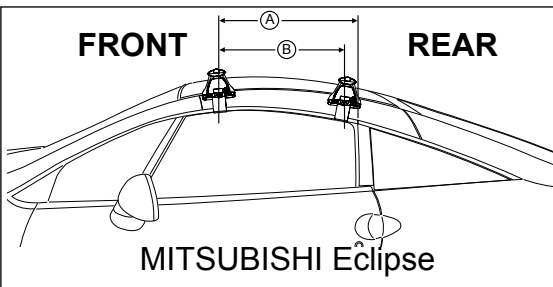
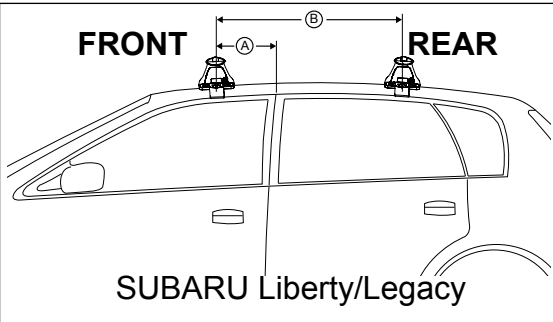
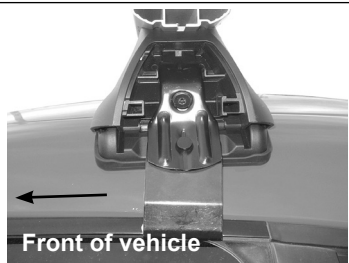
Front left pad M366 shown in position.



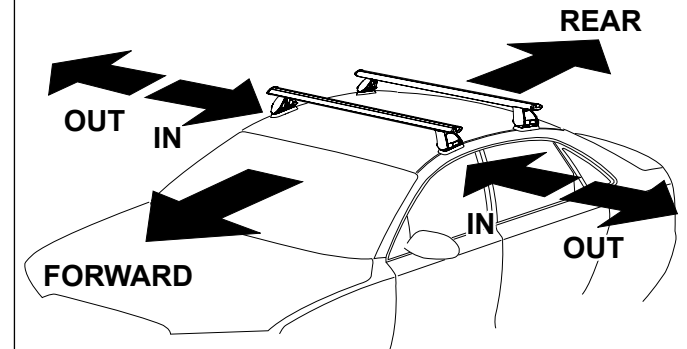
**Fitting note.**

Mitsubishi Eclipse.

Rear left pad M366 shown in position.



**Direction of Pad, Arrow and Foot Plates**



VEHICLE	Date	Measurement A	Measurement B	Load Rating (includes racks 5kg/ 11lbs)
Subaru Liberty BL/BP 4dr Sedan	2004-2009	250mm / 9,27/32"	700mm / 27,9/16"	75kg / 165lbs
Subaru Legacy BL/BP 4dr Sedan	2004-2009	250mm / 9,27/32"	700mm / 27,9/16"	75kg / 165lbs
Mitsubishi Eclipse 2dr coupe	2006 on	560mm / 22,3/64"	490mm / 19,19/64"	30kg / 66lbs