



DK142 Rhino-Rack VA, Aero, Euro & HD crossbar instruction

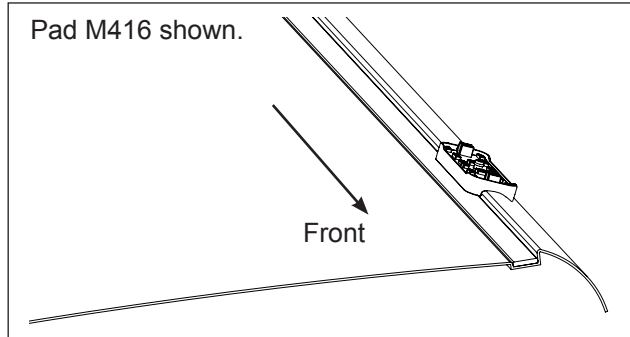
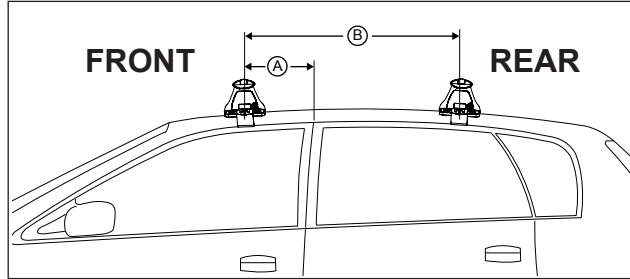
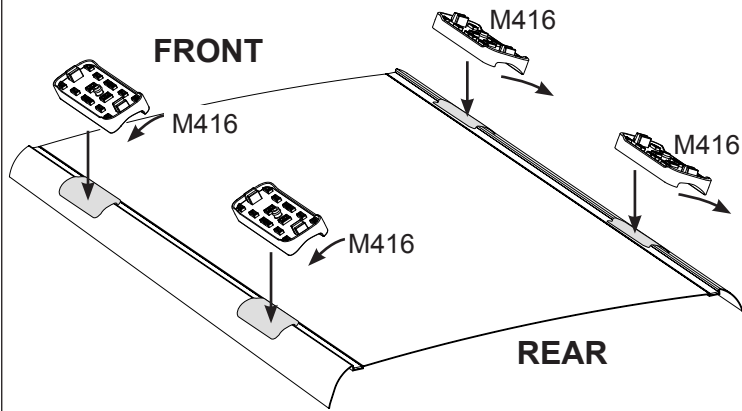
Measurement A: CENTRE of door jamb to CENTRE arrow of leg foot plate.

Measurement B: CENTRE of Front leg foot plate arrow to CENTRE of Rear leg foot plate arrow.

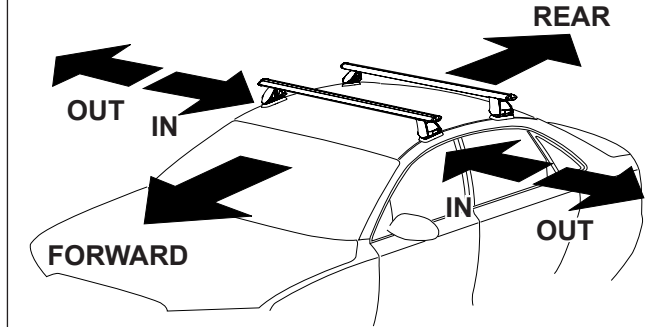
Carrying capacity: Roof rack is rated to 75kg. Please refer to manufacturers handbook for your vehicles maximum roof load capacity. Always use the lower of the two figures.

Fitting note:

Pad M416 Arrow facing outward.



Direction of Pad, Arrow and Foot Plates



VEHICLE	Date	Measurement A	Measurement B	Load Rating (includes racks 5kg/ 11lbs)
Holden Cruze 4dr sedan	06/09-	340mm / 13,3/8"	680mm / 26,25/32"	50kg / 110lbs
Chevrolet Cruze 4dr sedan	2011-	340mm / 13,3/8"	680mm / 26,25/32"	50kg / 110lbs
Daewoo Lacetti Premiere 4dr sedan	11/08-	340mm / 13,3/8"	680mm / 26,25/32"	50kg / 110lbs