



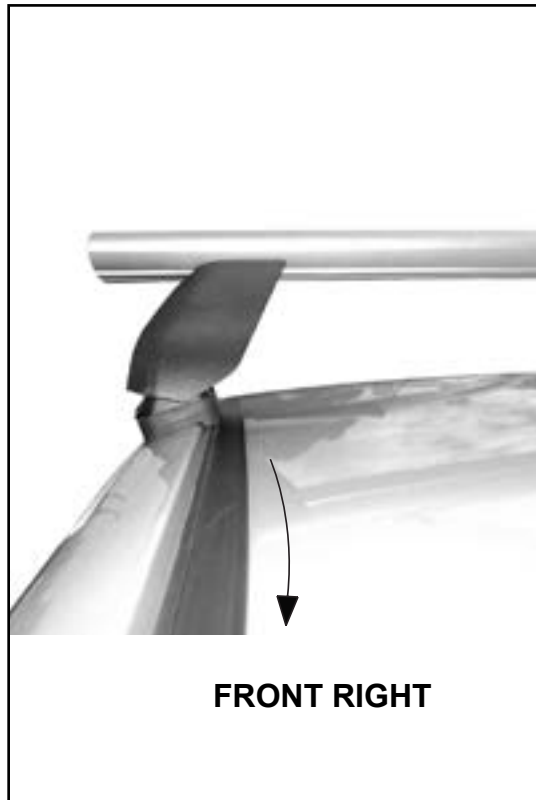
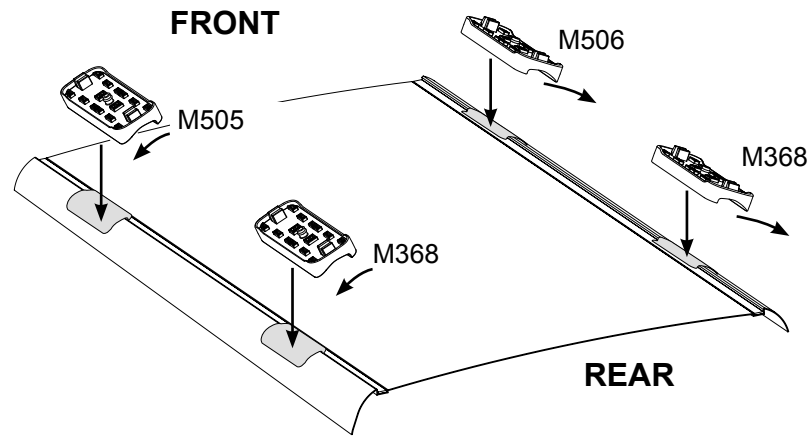
Rhino Rack 2500 Series - DK394 instruction

Measurement A: CENTRE of door jamb to CENTRE arrow of leg foot plate.

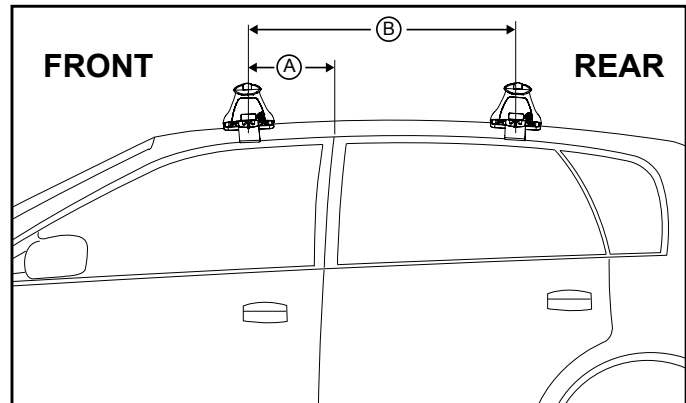
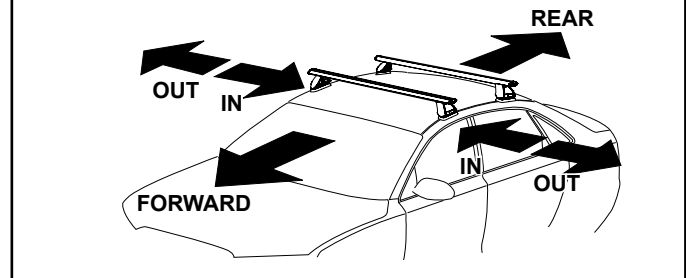
Measurement B: CENTRE of Front leg foot plate arrow to CENTRE of Rear leg foot plate arrow.

Carrying capacity: Roof rack is rated to 75kg. Please refer to manufacturers handbook for your vehicles maximum roof load capacity. Always use the lower of the two figures.

- Pad M505 FRONT Left of vehicle Arrow facing outward
- Pad M506 FRONT Right of vehicle Arrow facing outward
- Pad M368 REAR Right of vehicle Arrow facing outward
- Pad M368 REAR Left of vehicle Arrow facing outward



Direction of Pad Arrow and Foot Plate Arrow



VEHICLE	Date	Measurement A	Measurement B	Load Rating (includes racks 5kg/ 11lbs)
Lexus CT/CT F Sport 5dr hatch (ZWA10R)	2011-	350mm / 13,25/32"	690mm / 27,11/64"	75kg / 165lbs