



Rhino Rack 2500 Series - DK301

FRONT Crossbar

VEHICLE	Build date	Crossbar FRONT	Pad / Clamp FRONT RIGHT	Pad / Clamp FRONT LEFT	Foot plate arrow direction	Bar measurement strip. Length per side.	HD Crossbar distance (x).
Hyundai Elantra 4dr sedan	2011-	1260mm	142616FR / SUB0370	142616FL / SUB0370	OUT	79mm	928mm / 36,17/32"

REAR Crossbar

VEHICLE	Build date	Crossbar REAR	Pad / Clamp REAR RIGHT	Pad / Clamp REAR LEFT	Foot plate arrow direction	Bar measurement strip. Length per side.	HD Crossbar distance (x).
Hyundai Elantra 4dr sedan	2011-	1260mm	142616FL / SUB0370	142616FR / SUB0370	OUT	68mm	904mm / 35,19/32"



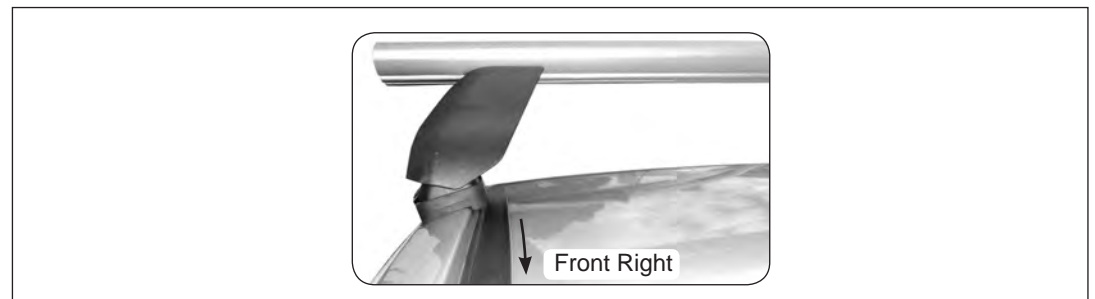
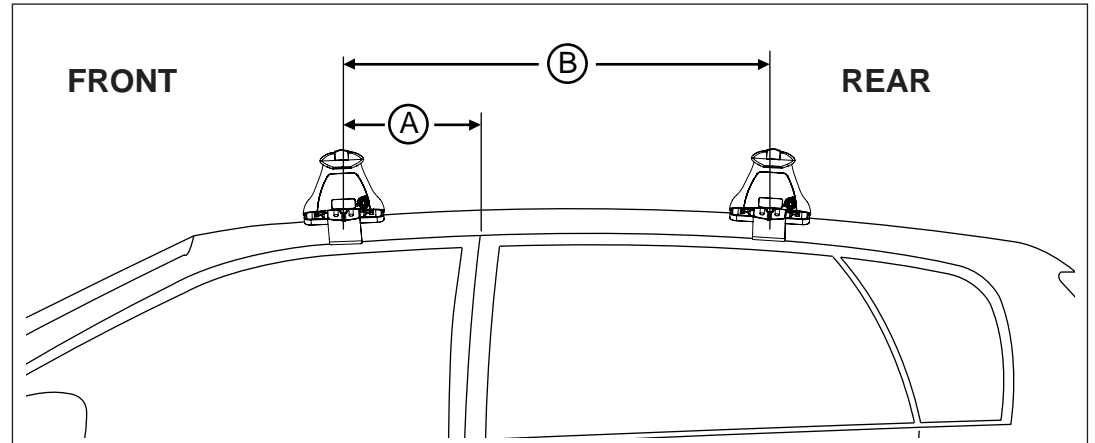
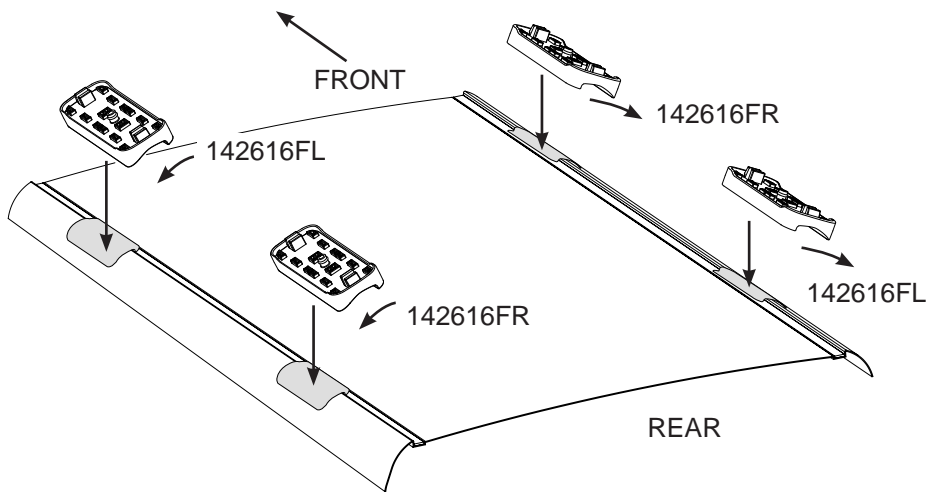
Rhino Rack 2500 Series - DK301

Measurement A: CENTRE of door jamb to CENTRE arrow of leg foot plate.

Measurement B: CENTRE of Front leg foot plate arrow to CENTRE of Rear leg foot plate arrow.

Carrying capacity: Roof rack is rated to 75kg. Please refer to manufacturers handbook for your vehicles maximum roof load capacity. Always use the lower of the two figures.

- Pad 142616FL FRONT Left of vehicle Arrow facing outward
- Pad 142616FR FRONT Right of vehicle Arrow facing outward
- Pad 142616FL REAR Right of vehicle Arrow facing outward
- Pad 142616FR REAR Left of vehicle Arrow facing outward



VEHICLE	Build Date	Measurement A	Measurement B	Weight rating (includes racks 5kg / 11lbs)
Hyundai Elantra 4dr sedan	2011-	310mm / 12,13/64"	650mm / 25,19/32"	60kg / 132lbs