



Rhino Rack 2500 Series - DK297

FRONT Crossbar

VEHICLE	Build date	Crossbar FRONT	Pad / Clamp FRONT RIGHT	Pad / Clamp FRONT LEFT	Foot plate arrow direction	Bar measurement strip. Length per side.	HD Crossbar distance (x).
Chevrolet Traverse SUV	2008-	1375mm	M504 / SUB0197	M503 / SUB0197	OUT	117mm	1107mm / 43,19/32"

REAR Crossbar

VEHICLE	Build date	Crossbar REAR	Pad / Clamp REAR RIGHT	Pad / Clamp REAR LEFT	Foot plate arrow direction	Bar measurement strip. Length per side.	HD Crossbar distance (x).
Chevrolet Traverse SUV	2008-	1375mm	M504 / SUB0197	M503 / SUB0197	OUT	100mm	1073mm / 42,1/4"



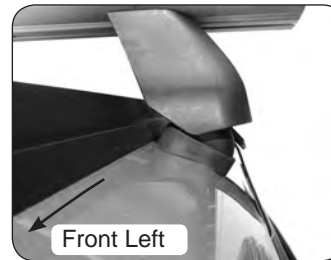
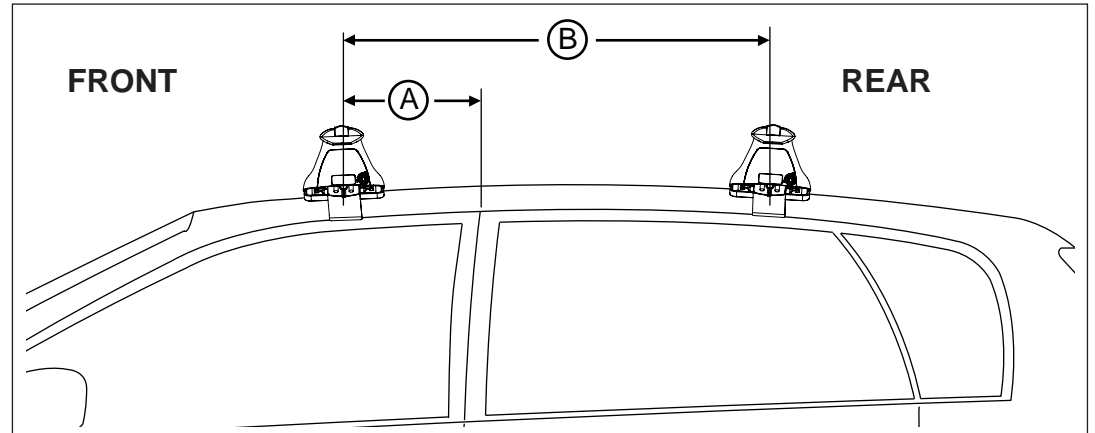
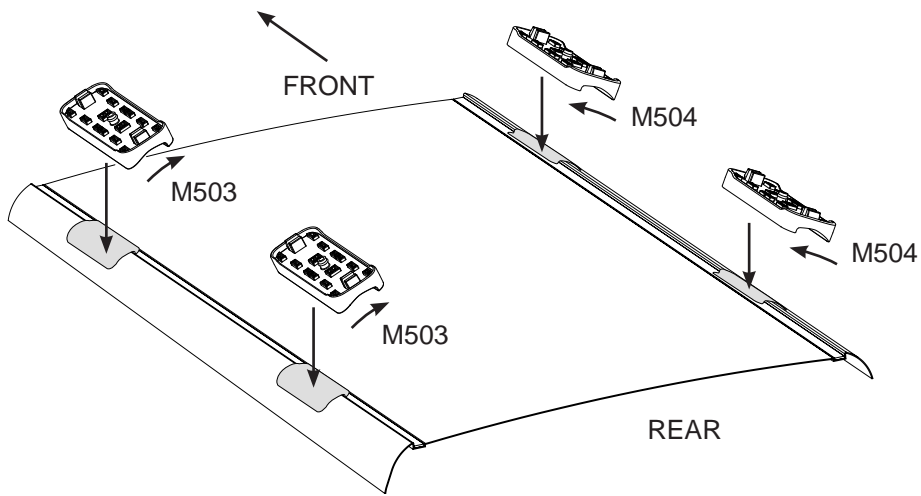
Rhino Rack 2500 Series - DK297

Measurement A: CENTRE of door jamb to CENTRE arrow of leg foot plate.

Measurement B: CENTRE of Front leg foot plate arrow to CENTRE of Rear leg foot plate arrow.

Carrying capacity: Roof rack is rated to 75kg. Please refer to manufacturers handbook for your vehicles maximum roof load capacity. Always use the lower of the two figures.

- Pad M503 FRONT Left of vehicle Arrow IN
- Pad M504 FRONT Right of vehicle Arrow IN
- Pad M504 REAR Right of vehicle Arrow IN
- Pad M503 REAR Left of vehicle Arrow IN



VEHICLE	Build date	Measurement A	Measurement B	Weight rating (includes racks 5kg / 11lbs)
Chevrolet Traverse SUV	2008-	70mm / 2,3/4"	700mm / 27,9/16"	75kg / 165lbs