



Rhino Rack 2500 Series - DK283

FRONT Crossbar

| VEHICLE | Build date | Crossbar FRONT | Pad / Clamp FRONT RIGHT | Pad / Clamp FRONT LEFT | Foot plate arrow direction | Bar measurement strip. Length per side. | HD Crossbar distance (x). |
|---------------------------------|------------|-----------------------------------|----------------------------|---------------------------|-------------------------------|--|--------------------------------|
| Kia Optima TF 3rd Gen 4dr sedan | 01/2011- | 1260mm | M142614 / SUB0144 | M142613 / SUB0144 | OUT | 83mm | 1040mm / 40,15/16" |

REAR Crossbar

| VEHICLE | Build date | Crossbar REAR | Pad / Clamp REAR RIGHT | Pad / Clamp REAR LEFT | Foot plate arrow direction | Bar measurement strip. Length per side. | HD Crossbar distance (x). |
|---------------------------------|------------|------------------|---------------------------|--------------------------|-------------------------------|--|--------------------------------|
| Kia Optima TF 3rd Gen 4dr sedan | 01/2011- | 1260mm | M506 / SUB0144 | M505 / SUB0144 | OUT | 52mm | 978mm / 38,1/2" |



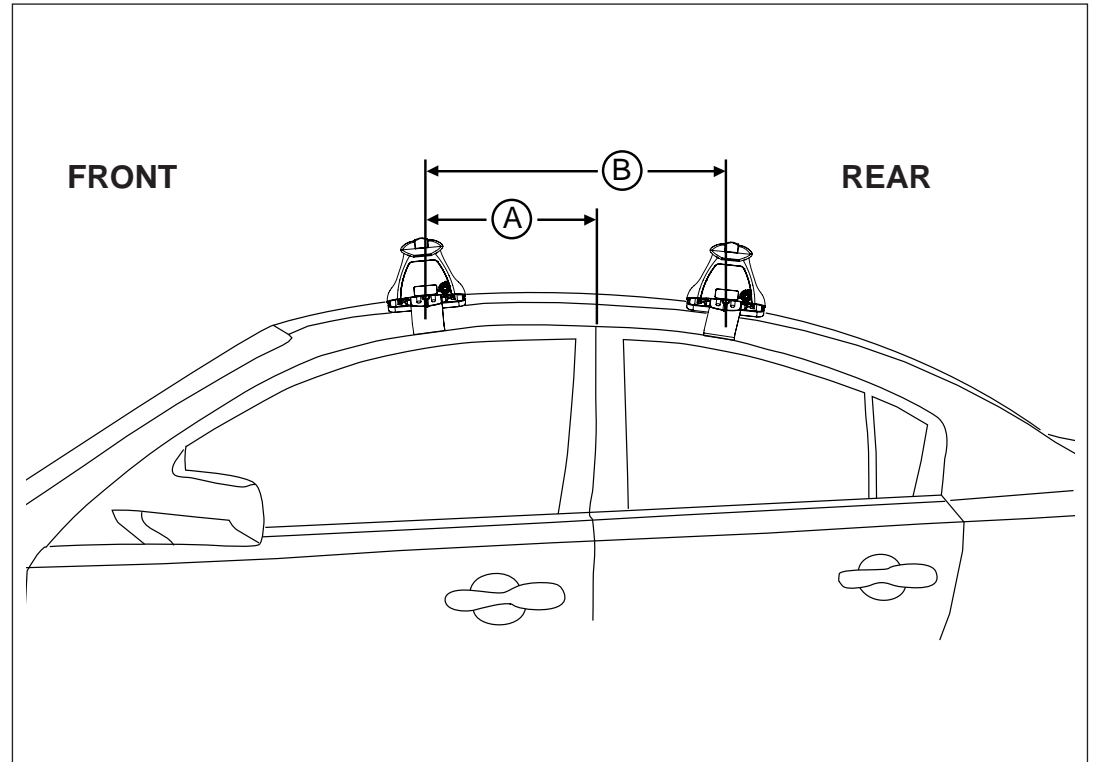
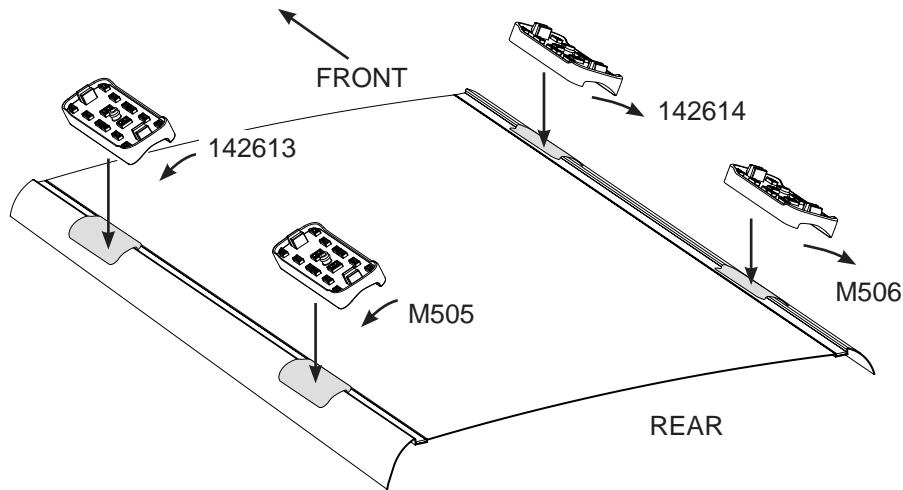
Rhino Rack 2500 Series - DK283

Measurement A: CENTRE of door jamb to CENTRE arrow of leg foot plate.

Measurement B: CENTRE of Front leg foot plate arrow to CENTRE of Rear leg foot plate arrow.

Carrying capacity: Roof rack is rated to 75kg. Please refer to manufacturers handbook for your vehicles maximum roof load capacity. Always use the lower of the two figures.

- Pad 142613 FRONT Left of vehicle - Arrow facing outward.
- Pad 142614 FRONT Right of vehicle - Arrow facing outward.
- Pad M506 REAR Right of vehicle - Arrow facing outward.
- Pad M505 REAR Left of vehicle - Arrow facing outward.



| VEHICLE | Build Date | Measurement A | Measurement B | Weight Rating (includes racks 5kg / 11lbs) |
|---------------------------------|------------|-------------------|------------------|--|
| Kia Optima TF 3rd Gen 4dr sedan | 01/2011- | 300mm / 11,13/16" | 700mm / 27,9/16" | 75kg / 165lbs |