



Rhino Rack 2500 Series - DK258

FRONT							
VEHICLE	Date	Crossbar	Pad / Clamp FRONT RIGHT	Pad / Clamp FRONT LEFT	Foot plate arrow direction	Bar measurement strip. Length per side.	HD Crossbar distance (x).
Kia Venga 5dr hatch	2009-	1180mm	M282 / SUB0381	M281 / SUB0381	OUT	144mm	966mm / 38,1/32"
Subaru Impreza 5dr hatch	2012-	1180mm	M282 / SUB0381	M281 / SUB0381	OUT	140mm	958mm / 37,23/32"
Subaru Impreza 4dr sedan	2012-	1180mm	M282 / SUB0381	M281 / SUB0381	OUT	143mm	964mm / 37,61/64"
REAR							
VEHICLE	Date	Crossbar	Pad / Clamp REAR RIGHT	Pad / Clamp REAR LEFT	Foot plate arrow direction	Bar measurement strip. Length per side.	HD Crossbar distance (x).
Kia Venga 5dr hatch	2009-	1180mm	M284 / SUB0262	M283 / SUB0262	OUT	111mm	900mm / 35,7/16"
Subaru Impreza 5dr hatch	2012-	1180mm	M284 / SUB0262	M283 / SUB0262	OUT	114mm	906mm / 35,43/64"
Subaru Impreza 4dr sedan	2012-	1180mm	M284 / SUB0262	M283 / SUB0262	OUT	117mm	912mm / 35,29/32"

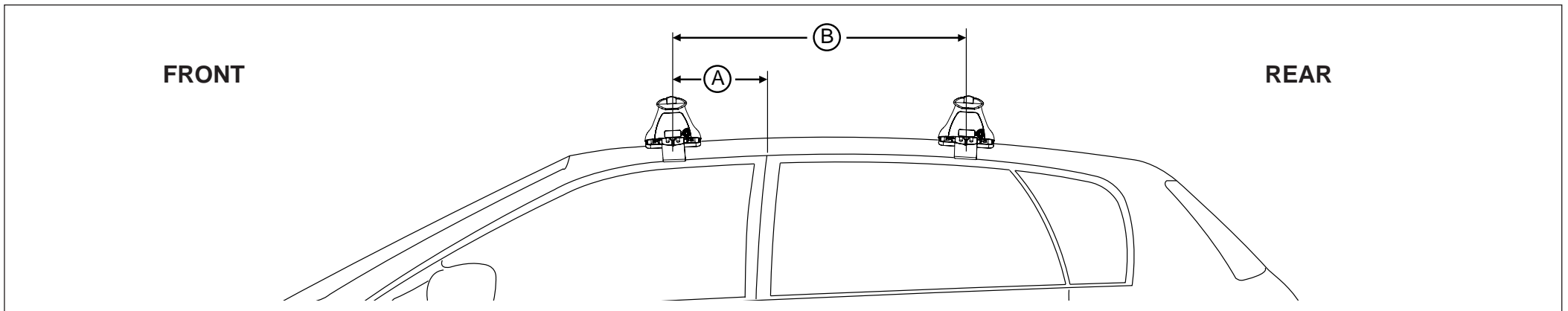
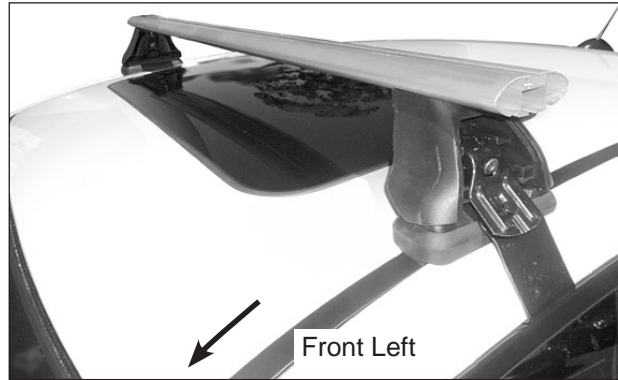
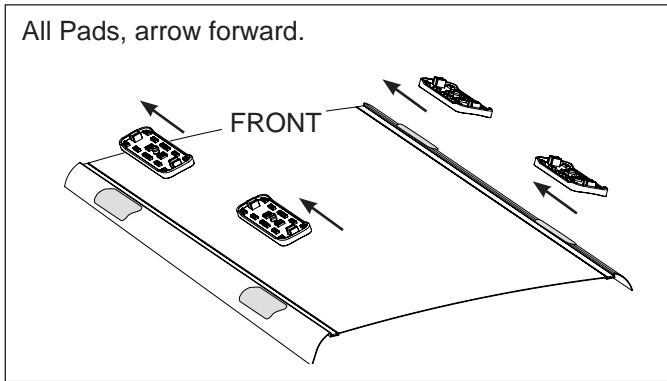


Rhino Rack 2500 Series - DK258

Measurement A: CENTRE of door jamb to CENTRE arrow of leg foot plate.

Measurement B: CENTRE of Front leg foot plate arrow to CENTRE of Rear leg foot plate arrow.

Carrying capacity: Roof rack is rated to 75kg. Please refer to manufacturers handbook for your vehicles maximum roof load capacity. Always use the lower of the two figures.



VEHICLE	Date	Measurement A	Measurement B	Load rating (includes racks 5kg / 11lbs)
Kia Venga 5dr hatch	2009-	300mm / 11,13/16"	750mm / 29,17/32"	50kg / 110lbs
Subaru Impreza 5dr hatch	2012-	270mm / 10,5/8"	675mm / 26,37/64"	75kg / 165lbs
Subaru Impreza 4dr sedan	2012-	280mm / 11,1/32"	650mm / 25,19/32"	75kg / 165lbs