



## Rhino Rack 2500 Series - DK237

### FRONT Cross Bar

VEHICLE	Build Date	<a href="#">Cross Bar</a> FRONT	Pad / Clamp FRONT RIGHT	Pad / Clamp FRONT LEFT	Foot Plate Arrow Direction	Bar Measurement Strip. Length per side.	HD Cross Bar distance ( x ).
Kia Soul 5dr hatch*	04/2009 on	1260mm / 49,1/2"	M506 / SUB0263	M505 / SUB0263	OUT	<b>82mm</b>	1038mm / 40,55/64"

### REAR Cross Bar

VEHICLE	Build Date	Cross Bar REAR	Pad / Clamp REAR RIGHT	Pad / Clamp REAR LEFT	Foot Plate Arrow Direction	Bar Measurement Strip. Length per side.	HD Cross Bar distance ( x ).
Kia Soul 5dr hatch*	04/2009 on	1260mm / 49,1/2"	M505 / SUB0364	M506 / SUB0364	OUT	<b>84mm</b>	1042mm / 41,1/32"



# Rhino Rack 2500 Series - DK237

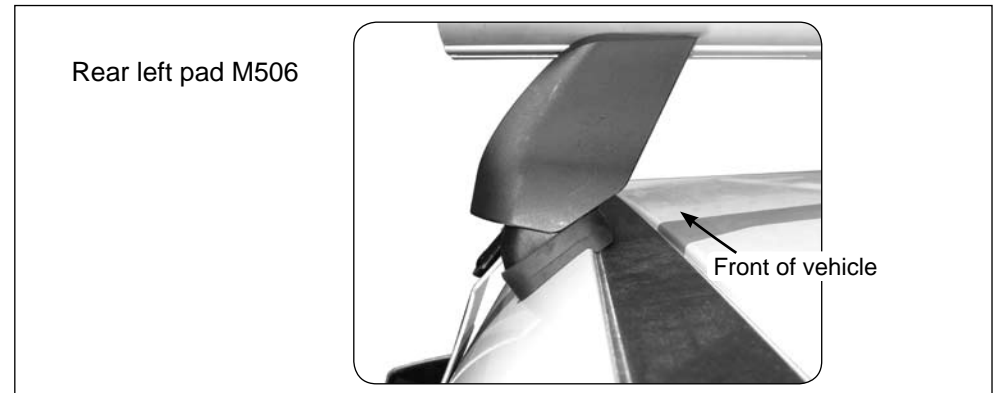
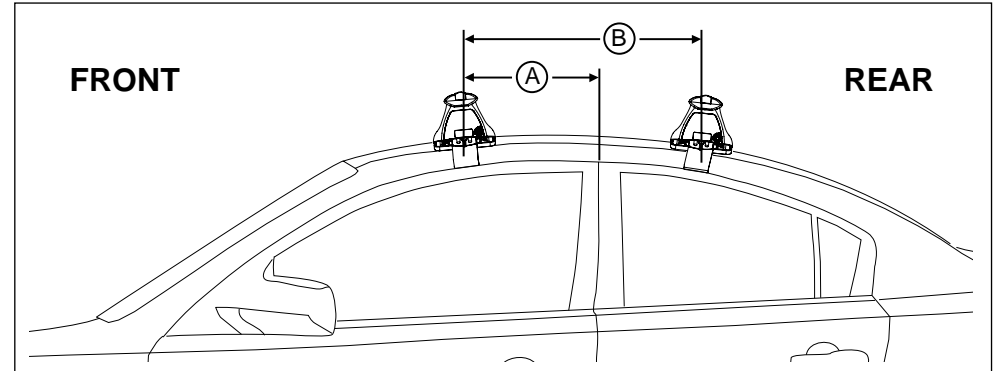
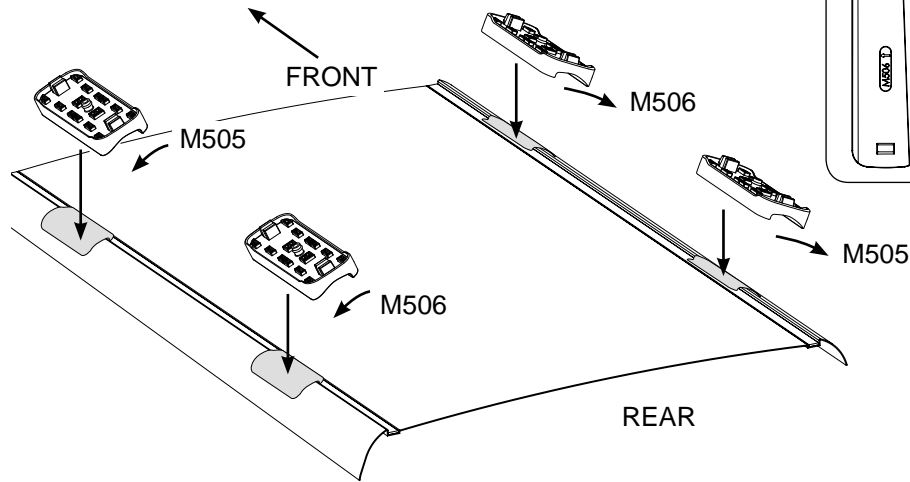
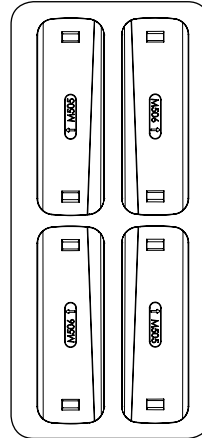
## POSITIONING OF CROSS BARS ON THE ROOF

**Measurement A:** CENTRE of door jamb to CENTRE arrow of leg foot plate.

**Measurement B:** CENTRE of Front leg foot plate arrow to CENTRE of Rear leg foot plate arrow.

**Fitting note:**

- Pad M505, FRONT Left of vehicle - Arrow facing outward.
- Pad M506, FRONT Right of vehicle - Arrow facing outward.
- Pad M505, REAR Right of vehicle - Arrow facing outward.
- Pad M506, REAR Left of vehicle - Arrow facing outward.



VEHICLE	Build Date	Measurement A	Measurement B	Weight Rating (includes racks 5kg / 11lbs)
Kia Soul 5dr hatch	04/2009 on	310mm / 12,7/32"	700mm / 27,9/16"	<b>50kg / 110lbs</b>