



Rhino Rack 2500 Series - DK234

FRONT							
VEHICLE	Date	Crossbar	Pad / Clamp FRONT RIGHT	Pad / Clamp FRONT LEFT	Foot plate arrow direction	Bar measurement strip. Length per side.	HD Crossbar distance (x).
Jeep Grand Cherokee WK2 4dr 4WD	2011-	1375mm	M282 / SUB0370	M281 / SUB0370	OUT	106mm	1085mm / 42,23/32"
Kia Cerato/Forte TD 4dr sedan	2009-	1180mm	M282 / SUB0370	M281 / SUB0370	OUT	127mm	932mm / 36,11/16"
Lexus ES 4dr sedan	2007-	1180mm	M282 / SUB0370	M281 / SUB0370	OUT	150mm	978mm / 38,1/2"
Kia Cerato/Forte TD 5dr hatch	2011-	1180mm	M282 / SUB0370	M281 / SUB0370	OUT	122mm	922mm / 36,19/64"

REAR							
VEHICLE	Date	Crossbar	Pad / Clamp REAR RIGHT	Pad / Clamp REAR LEFT	Foot plate arrow direction	Bar measurement strip. Length per side.	HD Crossbar distance (x).
Jeep Grand Cherokee WK2 4dr 4WD	2011-	1375mm	M284 / SUB0381	M283 / SUB0381	OUT	90mm	1053mm / 41,29/64"
Kia Cerato/Forte TD 4dr sedan	2009-	1180mm	M284 / SUB0381	M283 / SUB0381	OUT	111mm	900mm / 35,7/16"
Lexus ES 4dr sedan	2007-	1180mm	M284 / SUB0381	M283 / SUB0381	OUT	132mm	942mm / 37,3/32"
Kia Cerato/Forte TD 5dr hatch	2011-	1180mm	M284 / SUB0381	M283 / SUB0381	OUT	101mm	880mm / 34,41/64"

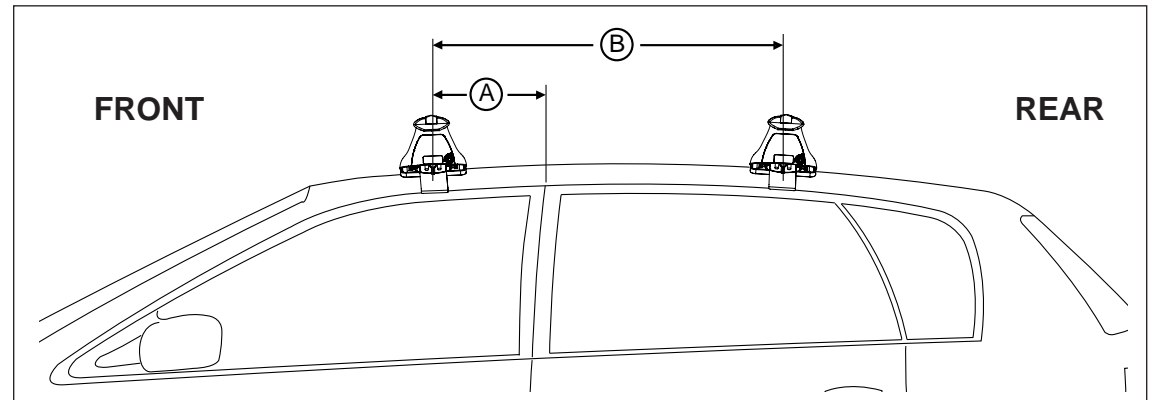
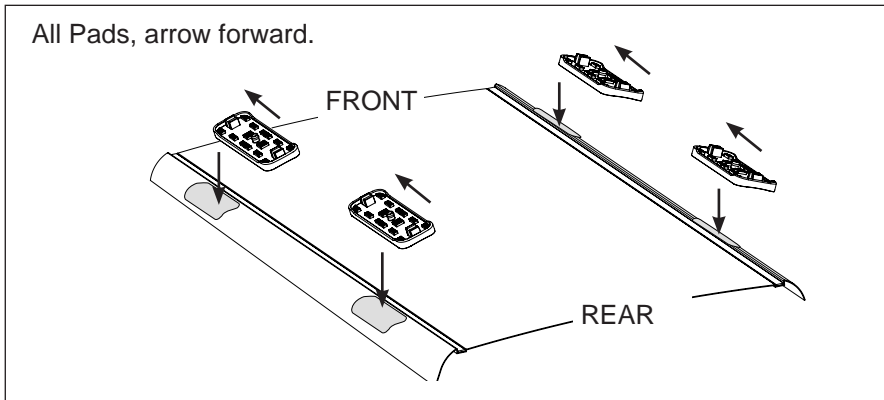
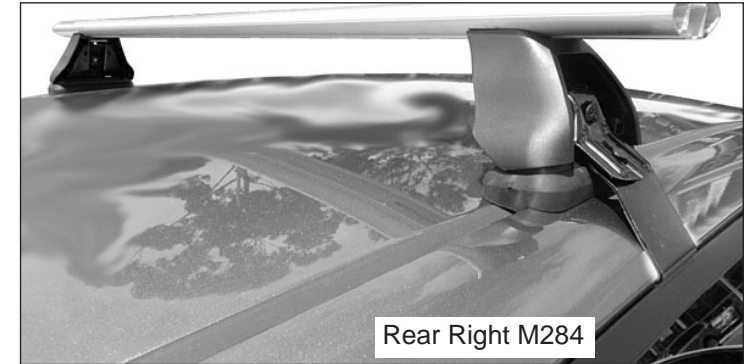
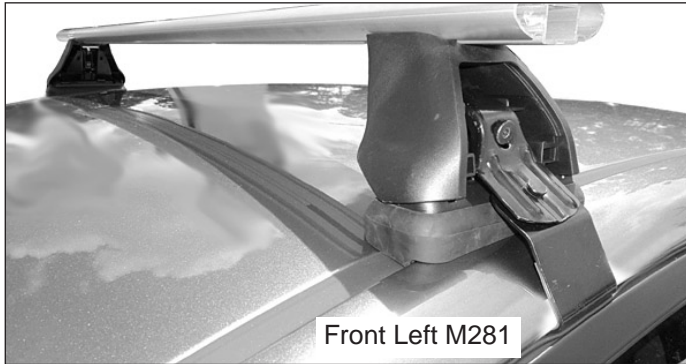


Rhino Rack 2500 Series - DK234

Measurement A: CENTRE of door jamb to CENTRE arrow of leg foot plate.

Measurement B: CENTRE of Front leg foot plate arrow to CENTRE of Rear leg foot plate arrow.

Carrying capacity: Roof rack is rated to 75kg. Please refer to manufacturers handbook for your vehicles maximum roof load capacity. Always use the lower of the two figures.



VEHICLE	Date	Measurement A	Measurement B	Load rating (includes racks 5kg / 11lbs)
Jeep Grand Cherokee WK2 4dr 4WD	2011-	190mm / 7,31/64"	750mm / 29,17/32"	68kg / 150lbs
Kia Cerato/Forte TD 4dr sedan	2009-	280mm / 11,1/32"	650mm / 25,19/32"	60kg / 132lbs
Lexus ES 4dr sedan	2007-	290mm / 11,27/64"	700mm / 27,9/16"	60kg / 132lbs
Kia Cerato/Forte TD 5dr hatch	2011-	260mm / 10,1/4"	650mm / 25,19/32"	60kg / 132lbs