



Rhino Rack 2500 Series - DK211

FRONT Cross Bar

VEHICLE	Build Date	Cross Bar FRONT	Pad / Clamp FRONT RIGHT	Pad / Clamp FRONT LEFT	Foot Plate Arrow Direction	Bar Measurement Strip. Length per side.	HD Cross Bar distance (x).
Infiniti G35x (V36) 4dr sedan*	2007 on	1180mm / 46,29/64"	M506 / SUB0176	M505 / SUB0176	OUT	129mm	936mm / 36,27/32"

REAR Cross Bar

VEHICLE	Build Date	Cross Bar REAR	Pad / Clamp REAR RIGHT	Pad / Clamp REAR LEFT	Foot Plate Arrow Direction	Bar Measurement Strip. Length per side.	HD Cross Bar distance (x).
Infiniti G35x (V36) 4dr sedan*	2007 on	1180mm / 46,29/64"	M505 / SUB0151	M506 / SUB0151	OUT	116mm	910mm / 35,53/64"

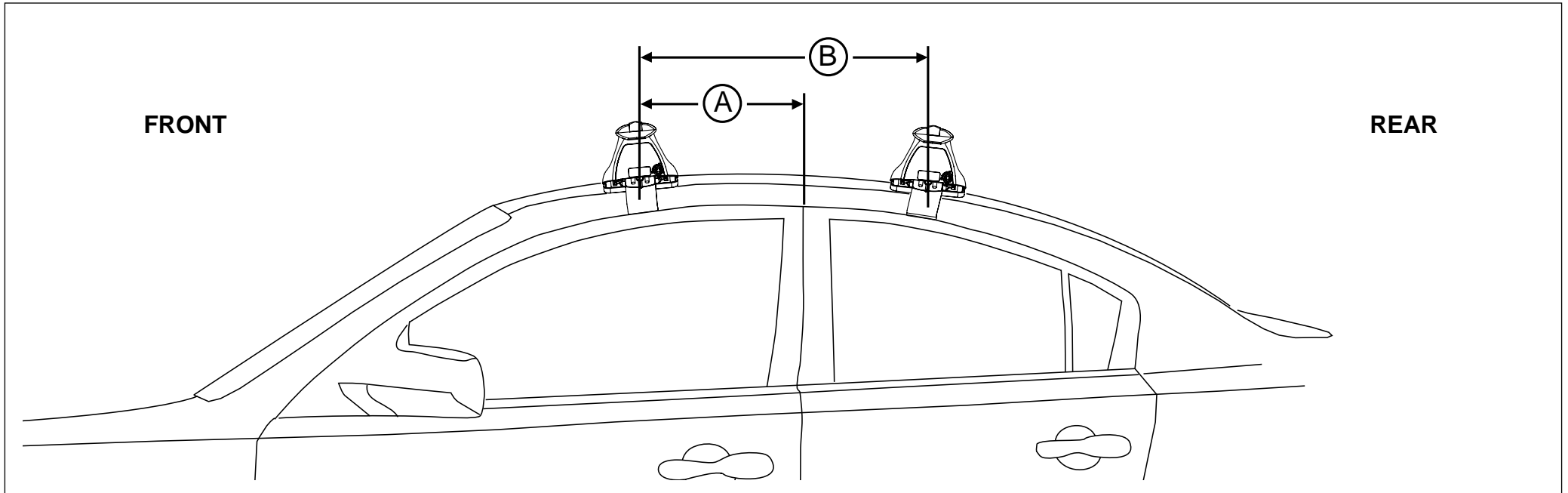


Rhino Rack 2500 Series - DK211

POSITIONING OF CROSS BARS ON THE ROOF

Measurement A: CENTRE of door jamb to CENTRE arrow of leg foot plate.

Measurement B: CENTRE of Front leg foot plate arrow to CENTRE of Rear leg foot plate arrow.



VEHICLE	Build Date	Dimension A	Dimension B	Weight Rating (includes racks 5kg / 11lbs)
Infiniti G35x (V36) 4dr sedan* <i>*see note page 3.</i>	2007 on	210mm / 8,17/64"	670mm / 26,3/8"	60kg / 132lbs

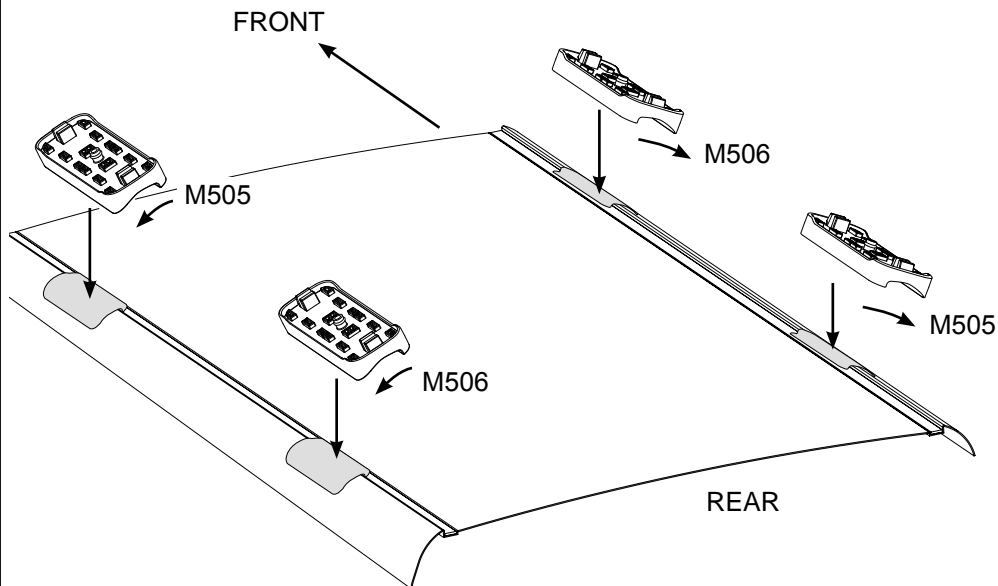


Rhino Rack 2500 Series - DK211

Supplement Fitting Instruction - Infiniti G35x (V36) 4dr sedan.

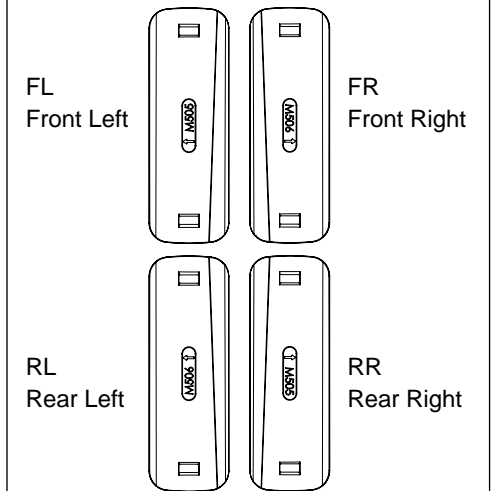
1. Placement of pads:

- Pad M505, FRONT Left of vehicle, Arrow facing outward.
- Pad M506, FRONT Right of vehicle, Arrow facing outward.
- Pad M505, REAR Right of vehicle, Arrow facing outward.
- Pad M506, REAR Left of vehicle, Arrow facing outward.



2. Pad orientation:

Arrows on all pads face to outside of vehicle when installed.
(Underside of pads shown).



3. Front pads:

Front left shown M505.

