



## Rhino Rack 2500 Series - DK208

### FRONT Cross Bar

VEHICLE	Build Date	<a href="#">Cross Bar</a> FRONT	Pad / Clamp FRONT RIGHT	Pad / Clamp FRONT LEFT	Foot Plate Arrow Direction	Bar Measurement Strip. Length per side.	HD Cross Bar distance ( x ).
Audi A4 (B8) 4dr sedan*	04/2008 on	1180mm / 46,29/64"	M506 / SUB0145	M505 / SUB0145	OUT	<b>138mm</b>	954mm / 37,9/16"

### REAR Cross Bar

VEHICLE	Build Date	Cross Bar REAR	Pad / Clamp REAR RIGHT	Pad / Clamp REAR LEFT	Foot Plate Arrow Direction	Bar Measurement Strip. Length per side.	HD Cross Bar distance ( x ).
Audi A4 (B8) 4dr sedan*	04/2008 on	1180mm / 46,29/64"	M505 / SUB0256	M506 / SUB0256	OUT	<b>111mm</b>	900mm / 35,7/16"

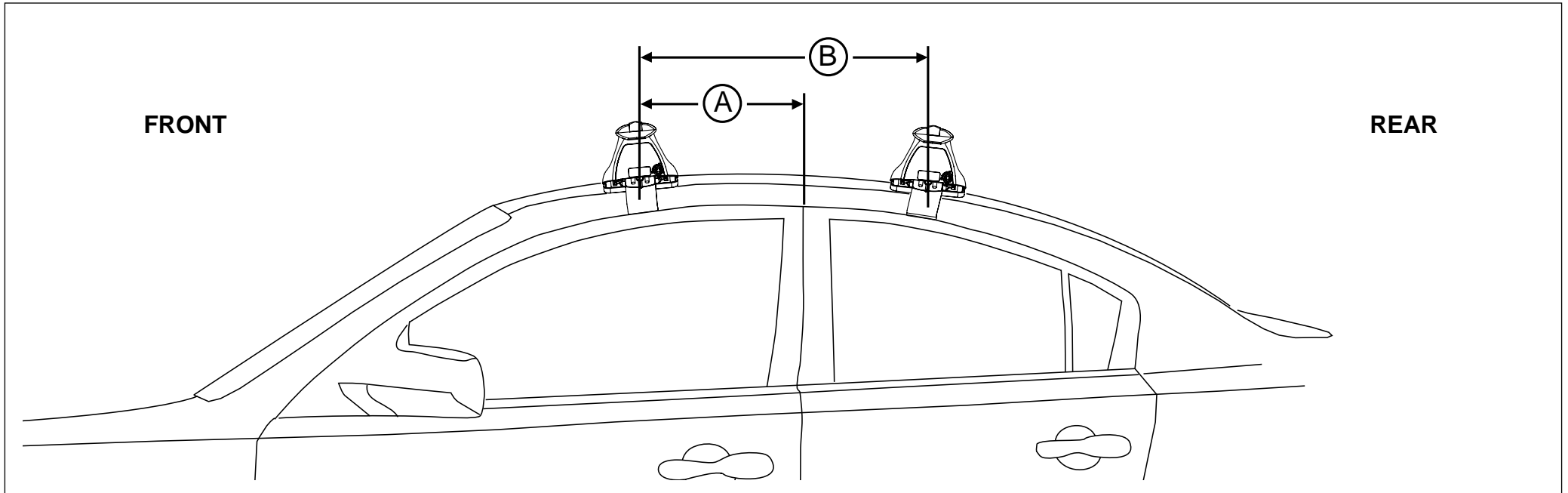


## Rhino Rack 2500 Series - DK208

### POSITIONING OF CROSS BARS ON THE ROOF

**Measurement A:** CENTRE of door jamb to CENTRE arrow of leg foot plate.

**Measurement B:** CENTRE of Front leg foot plate arrow to CENTRE of Rear leg foot plate arrow.



VEHICLE	Build Date	Dimension A	Dimension B	Weight Rating (includes racks 5kg / 11lbs)
Audi A4 (B8) 4dr sedan* <i>*see note page 3.</i>	04/2008 on	280mm / 11,1/32"	700mm / 27,9/16"	<b>75kg / 165lbs</b>

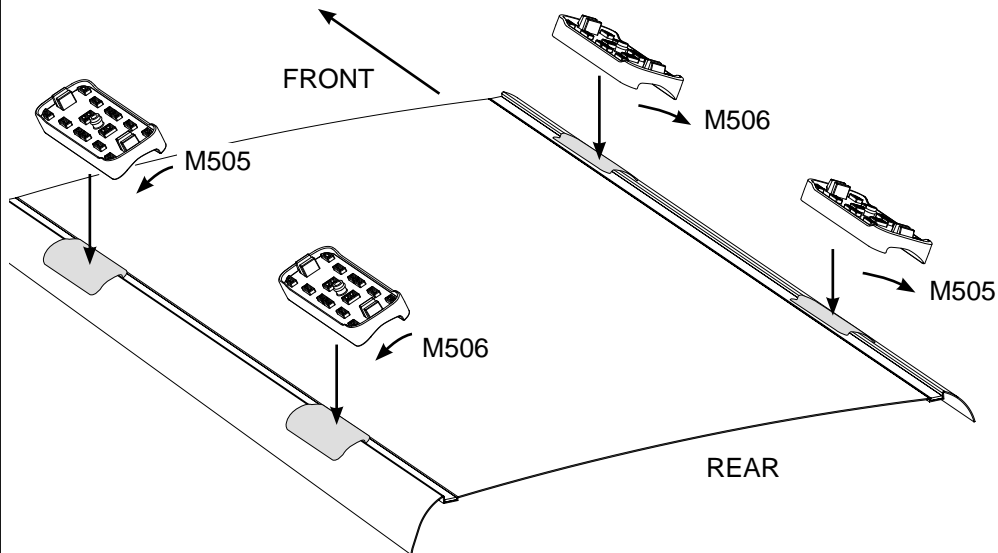


# Rhino Rack 2500 Series - DK208

## Supplement Fitting Instruction - Audi A4 (B8) Sedan.

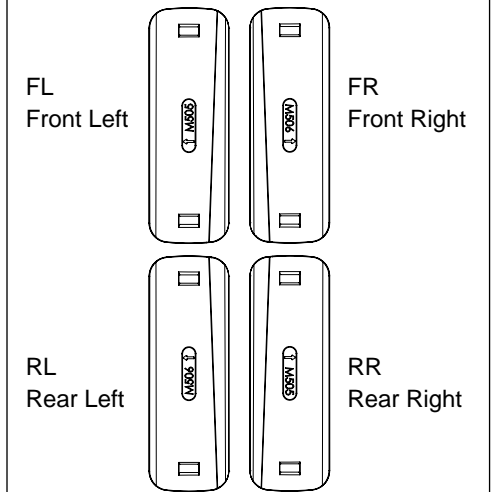
### 1. Placement of pads:

- Pad M505, FRONT Left of vehicle, Arrow facing outward.
- Pad M506, FRONT Right of vehicle, Arrow facing outward.
- Pad M505, REAR Right of vehicle, Arrow facing outward.
- Pad M506, REAR Left of vehicle, Arrow facing outward.



### 2. Pad orientation:

Arrows on all pads face to outside of vehicle when installed.  
(Underside of pads shown).



### 3. Front pads:

Front left shown M505.

