



Rhino Rack 2500 Series - DK190

FRONT Cross Bar

VEHICLE	Build Date	Cross Bar FRONT	Pad / Clamp FRONT RIGHT	Pad / Clamp FRONT LEFT	Foot Plate Arrow Direction	Bar Measurement Strip. Length per side.	HD Cross Bar distance (x).
Ford F250 Crew Cab pickup*	2008 on	1500mm / 59,1/16"	M367 / SUB0258	M367 / SUB0258	OUT	122mm	1242mm / 48,57/64"
Ford F350 Crew Cab pickup*	2008 on	1500mm / 59,1/16"	M367 / SUB0258	M367 / SUB0258	OUT	122mm	1242mm / 48,57/64"
Ford F450 Crew Cab pickup*	2008 on	1500mm / 59,1/16"	M367 / SUB0258	M367 / SUB0258	OUT	122mm	1242mm / 48,57/64"

REAR Cross Bar

VEHICLE	Build Date	Cross Bar REAR	Pad / Clamp REAR RIGHT	Pad / Clamp REAR LEFT	Foot Plate Arrow Direction	Bar Measurement Strip. Length per side.	HD Cross Bar distance (x).
Ford F250 Crew Cab pickup*	2008 on	1500mm / 59,1/16"	M367 / SUB0258	M367 / SUB0258	OUT	122mm	1242mm / 48,57/64"
Ford F350 Crew Cab pickup*	2008 on	1500mm / 59,1/16"	M367 / SUB0258	M367 / SUB0258	OUT	122mm	1242mm / 48,57/64"
Ford F450 Crew Cab pickup*	2008 on	1500mm / 59,1/16"	M367 / SUB0258	M367 / SUB0258	OUT	122mm	1242mm / 48,57/64"



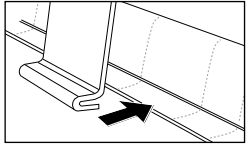
Rhino Rack 2500 Series - DK190

POSITIONING OF CROSS BARS ON THE ROOF

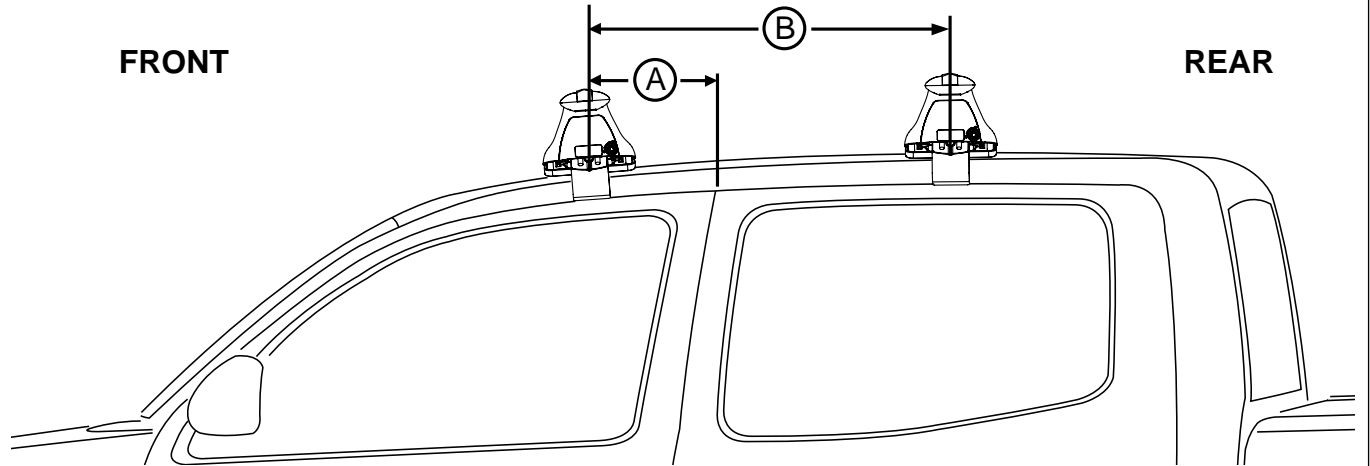
Measurement A: CENTER of door jamb to CENTER arrow of leg foot plate.

Measurement B: CENTER of Front leg foot plate arrow to CENTER of Rear leg foot plate arrow.

* Open doors. Pull rubber door seal back. Fit clamp.



* After cross bars and clamp are correctly fitted re-fit the rubber door seal.



VEHICLE	Build Date	Dimension A	Dimension B	Weight Rating (includes racks 5kg / 11lbs)
Ford F250 Crew Cab pickup*	2008 on	300mm / 11,13/16"	800mm / 31,1/2"	75kg / 165lbs
Ford F350 Crew Cab pickup*	2008 on	300mm / 11,13/16"	800mm / 31,1/2"	75kg / 165lbs
Ford F450 Crew Cab pickup*	2008 on	300mm / 11,13/16"	800mm / 31,1/2"	75kg / 165lbs