



Rhino Rack 2500 Series - DK154

FRONT Cross Bar

VEHICLE	Build Date	<u>Cross Bar</u> FRONT	Pad / Clamp FRONT RIGHT	Pad / Clamp FRONT LEFT	Foot Plate Arrow Direction	Bar Measurement Strip. Length per side.	HD Cross Bar distance (x).
Honda Fit 5dr hatch Honda Jazz 5dr hatch	2008 on 08/2008 on	1260mm 1260mm	M366 / SUB0176 M366 / SUB0176	M366 / SUB0176 M366 / SUB0176	OUT OUT	57mm 57mm	988mm / 38,57/64" 988mm / 38,57/64"

REAR Cross Bar

VEHICLE	Build Date	Cross Bar REAR	Pad / Clamp REAR RIGHT	Pad / Clamp REAR LEFT	Foot Plate Arrow Direction	Bar Measurement Strip. Length per side.	HD Cross Bar distance (x).
Honda Fit 5dr hatch Honda Jazz 5dr hatch	2008 on 08/2008 on	1260mm 1260mm	M366 / SUB0151 M366 / SUB0151	M366 / SUB0151 M366 / SUB0151	OUT OUT	18mm 18mm	910mm / 35,53/64" 910mm / 35,53/64"



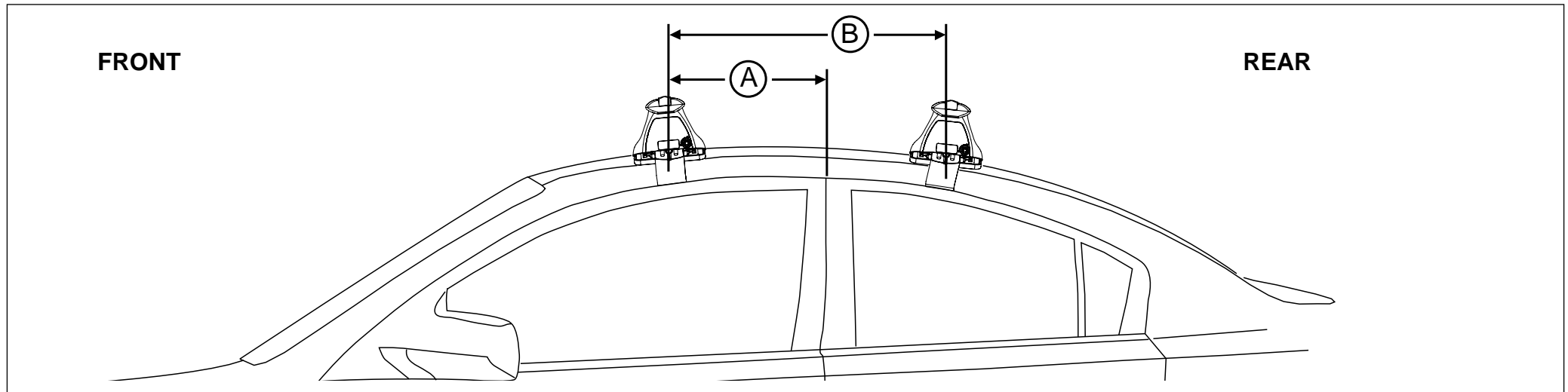
Rhino Rack 2500 Series - DK154

POSITIONING OF CROSS BARS ON THE ROOF

Measurement A: CENTRE of door jamb to CENTRE arrow of leg foot plate.

Measurement B: CENTRE of Front leg foot plate arrow to CENTRE of Rear leg foot plate arrow.

Carrying capacity: Roof rack is rated to 75kg. Please refer to manufacturers handbook for your vehicles maximum roof load capacity. Always use the lower of the two figures.



VEHICLE	Build Date	Measurement A	Measurement B	Weight Rating (includes racks 5kg / 11lbs)
Honda Fit 5dr hatch	2008 on	270mm / 10,5/8"	700mm / 27,9/16"	50kg / 110lbs
Honda Jazz 5dr hatch	08/2008 on	270mm / 10,5/8"	700mm / 27,9/16"	50kg / 110lbs