



Rhino Rack 2500 Series - DK150

FRONT Cross Bar

VEHICLE	Build Date	Cross Bar FRONT	Pad / Clamp FRONT RIGHT	Pad / Clamp FRONT LEFT	Foot Plate Arrow Direction	Bar Measurement Strip. Length per side.	HD Cross Bar distance (x).
Ford F150 Super Crew* Ford F150 Super Cab* includes SVT Raptor <i>*see note page 2.</i>	2009 on 2009 on	1500mm / 59,1/16" 1500mm / 59,1/16"	M368 / SUB0186 M368 / SUB0186	M368 / SUB0186 M368 / SUB0186	OUT OUT	79mm 80mm	1156mm / 45,33/64" 1158mm / 45,19/32"

REAR Cross Bar

VEHICLE	Build Date	Cross Bar REAR	Pad / Clamp REAR RIGHT	Pad / Clamp REAR LEFT	Foot Plate Arrow Direction	Bar Measurement Strip. Length per side.	HD Cross Bar distance (x).
Ford F150 Super Crew* Ford F150 Super Cab* includes SVT Raptor <i>*see note page 2.</i>	2009 on 2009 on	1500mm / 59,1/16" 1500mm / 59,1/16"	M368 / SUB0186 M368 / SUB0186	M368 / SUB0186 M368 / SUB0186	OUT OUT	75mm 75mm	1148mm / 45,13/64" 1148mm / 45,13/64"



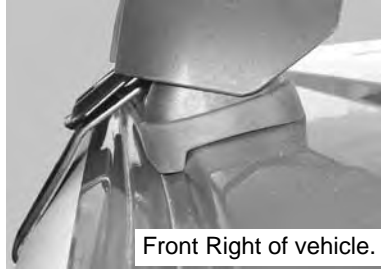
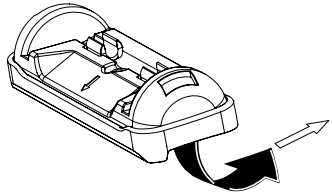
Rhino Rack 2500 Series - DK150

POSITIONING OF CROSS BARS ON THE ROOF

Measurement A: CENTRE of door jamb to CENTRE of Front cross bar.

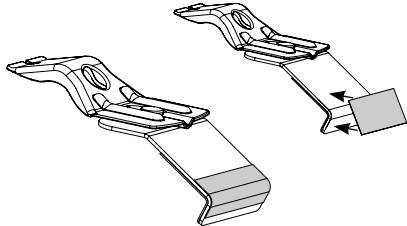
Measurement B: CENTRE of Front cross bar to CENTRE of Rear cross bar.

* Foot Plate **ARROW OUT**.
ARROW on underside of
Pad faces **IN**.

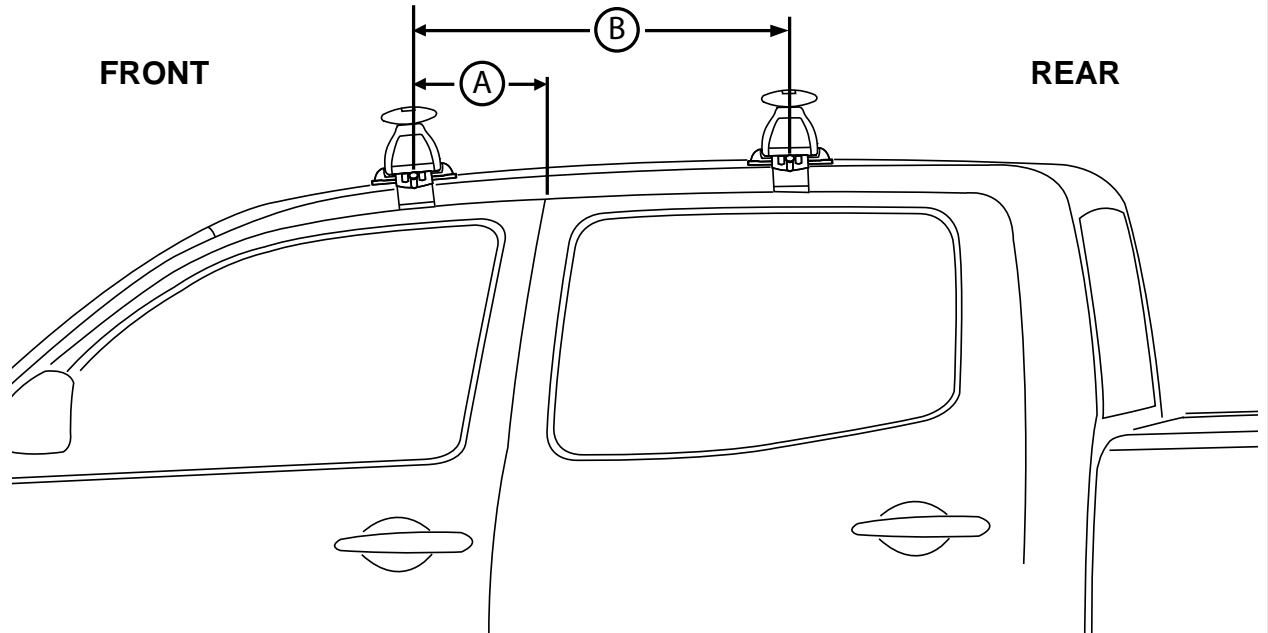


Front Right of vehicle.

* Stick clear adhesive tape onto
outside of lower metal strap.



* Open door. Pull rubber
seal down. Fit clamp.



VEHICLE	Build Date	Dimension A	Dimension B	Weight Rating (includes racks 5kg / 11lbs)
Ford F150 Super Crew	2009 on	280mm / 11,1/32"	800mm / 31,1/2"	65kg / 143lbs
Ford F150 Super Cab, inc. SVT Raptor	2009 on	350mm / 13,25/32"	750mm / 29,17/32"	65kg / 143lbs