





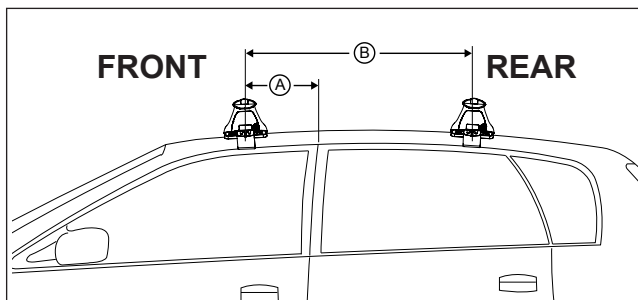
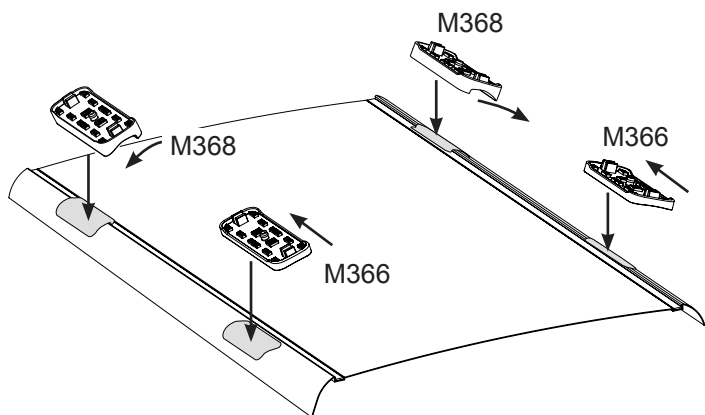
# DK126 Rhino-Rack VA, Aero, Euro & HD crossbar instruction

**Measurement A:** CENTRE of door jamb to CENTRE arrow of leg foot plate.

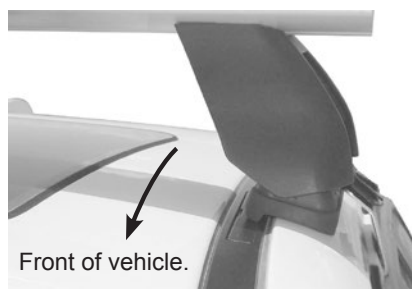
**Measurement B:** CENTRE of Front leg foot plate arrow to CENTRE of Rear leg foot plate arrow.

**Carrying capacity:** Roof rack is rated to 75kg. Please refer to manufacturers handbook for your vehicles maximum roof load capacity. Always use the lower of the two figures.

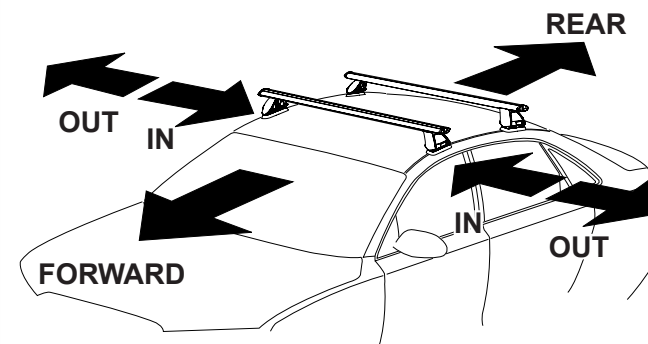
Pad M368, FRONT of vehicle, arrow outward.  
Pad M366, REAR of vehicle, arrow forward.



Front left pad  
M368 shown.



## Direction of Pad, Arrow and Foot Plates



VEHICLE	Date	Measurement A	Measurement B	Load Rating (includes racks 5kg/11lbs)
Mitsubishi Lancer (CJ) 4dr sedan	10/07-	300mm / 11,13/16"	690mm / 27,11/64"	50kg / 110lbs
Mitsubishi Lancer 4dr sedan	2008-	300mm / 11,13/16"	690mm / 27,11/64"	50kg / 110lbs
Mitsubishi EVO X (CJ) 4dr sedan	2008-	300mm / 11,13/16"	690mm / 27,11/64"	50kg / 110lbs
Mitsubishi Lancer Sportback (CJ) 5dr hatch	10/08-	300mm / 11,13/16"	690mm / 27,11/64"	50kg / 110lbs