

**Aero / Euro bar:** Cut **Measurement Strip** to length for Front & Rear bar as shown in table below.

**Heavy Duty bar:** Set legs to **Distance 'X'** for Front & Rear bar as shown in table below.

**IMPORTANT:** These lengths determine **CORRECT DISTANCE BETWEEN THE LEGS.**

**Table Abbreviations:** **OSR** (Off Side Rear) **Drivers Side Rear.**  
**OSF** (Off Side Front) **Drivers Side Front.**  
**NSR** (Near Side Rear) **Passenger Side Rear.**  
**NSF** (Near Side Front) **Passenger Side Front.**

### FRONT Cross Bar

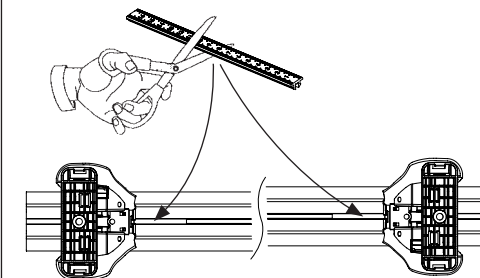
VEHICLE	Build Date	FRONT BAR	Pad OSF	Pad NSF	Clamp OSF	Clamp NSF	Foot Plate Arrow Dir.	Measurement Strip length	HD bar Dist. 'X'
Nissan Pathfinder Wagon *	07/05 on	1375mm	M366	M366	SUB0181	SUB0181	OUT	<b>107mm</b>	<b>1087mm</b>
Nissan Navara Dual Cab Ute * <i>see P2 for note *</i>	11/05 on	1375mm	M366	M366	SUB0181	SUB0181	OUT	<b>107mm</b>	<b>1087mm</b>

### REAR Cross Bar

VEHICLE	Build Date	REAR BAR	Pad OSR	Pad NSR	Clamp OSR	Clamp NSR	Foot Plate Arrow Dir.	Aero/Euro bar Strip length	HD bar Dist. 'X'
Nissan Pathfinder Wagon *	07/05 on	1375mm	M366	M366	SUB0180	SUB0180	OUT	<b>102mm</b>	<b>1077mm</b>
Nissan Navara Dual Cab Ute * <i>see P2 for note *</i>	11/05 on	1375mm	M366	M366	SUB0180	SUB0180	OUT	<b>102mm</b>	<b>1077mm</b>

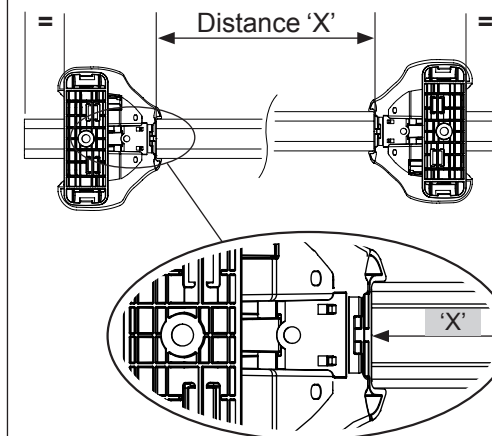
### Aero / Euro bar

Bar measurement strips set correct distance between the legs.



### Heavy Duty (HD) bar

NOTE: Distance between legs remains constant regardless of your new Heavy Duty cross bar length.





# Rhino Rack 2500 Series - DK108

## POSITIONING OF CROSS BARS ON THE ROOF

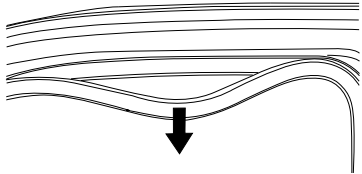
**Measurement A:** REAR edge of the Front door frame to the MIDDLE of the Front Cross bar.

**Measurement B:** MIDDLE of the Front Cross bar to the MIDDLE of the Rear Cross bar.

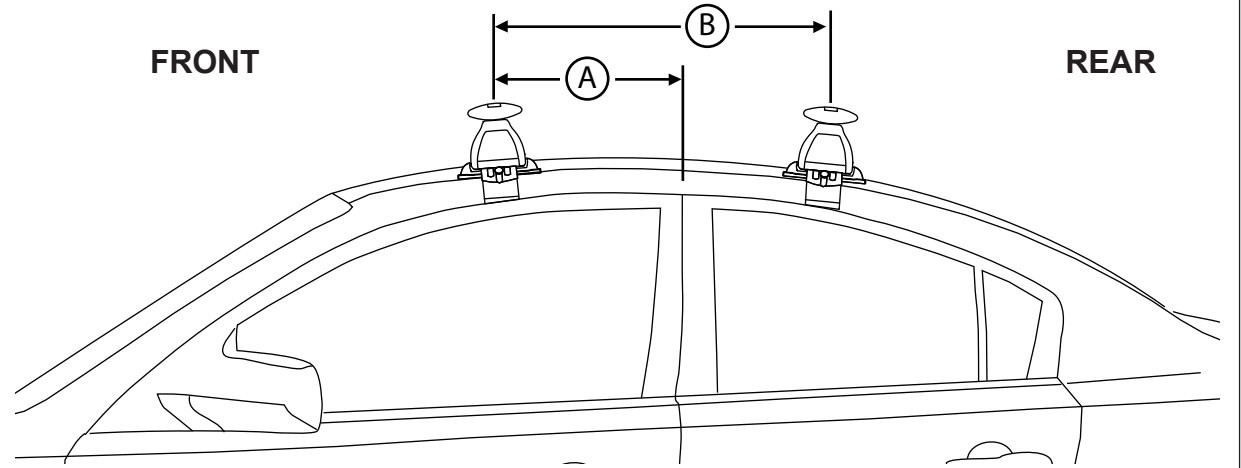
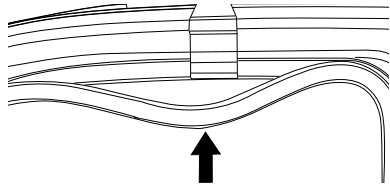
**\* SPECIAL NOTE for:** NISSAN Pathfinder.  
NISSAN Navara.

The top section of the rubber door jamb seal needs to be pulled down in order to fit the clamps front and rear. Rubber can be re-fitted once clamps are in place and tight.

a.



b.



VEHICLE		Build Date	Dimension A	Dimension B	Weight Rating (includes racks)
Nissan Pathfinder *	WAGON	07/05 on	260mm	900mm	<b>75kg</b>
Nissan Navara *	DUAL CAB Ute	11/05 on	260mm	750mm	<b>75kg</b>