

RHINO-RACK

Rhino Heavy Duty - CXB Two Crossbar System

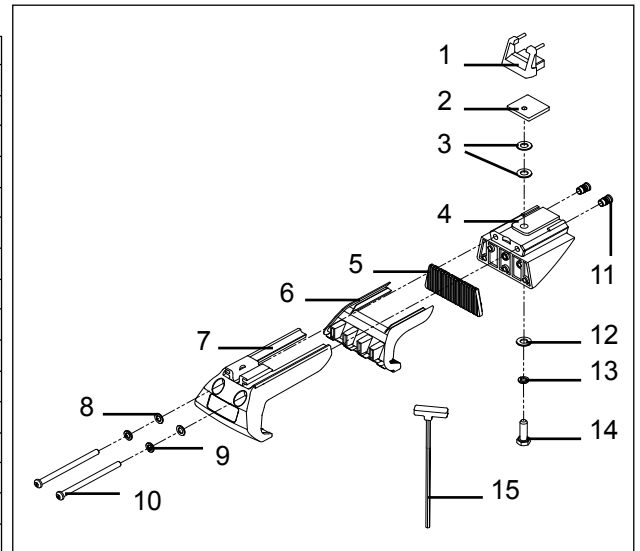
Your Rhino-Rack is designed and manufactured in Australia to meet the strength requirements of Australian Standard AS1235-2000. Only use Rhino-Rack approved accessories.

Place these instructions in the vehicle's glove box after installation is complete.

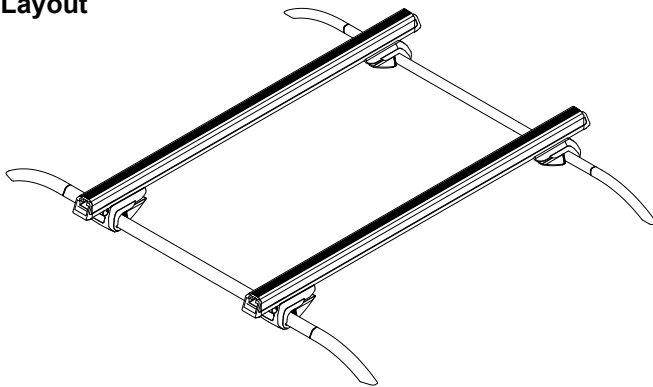
Important: Please read these instructions carefully prior to installation. Please refer to your fitting instruction to ensure that the roof racks are installed in the correct locations. Check the contents of kit before commencing fitment and report any discrepancies.

Parts List

Item	Component Name	Qty.	Part No.
1	HD Bar End Cap sold separately		
2	Square Nut 34mm x 32mm - M8 Offset Hole	4	N031
3	M8 x 17 Flat Washer S/S	8	W020
4	Heavy Duty Inner Rail Clamp	4	M079
5	Sportz / HD Inner Rail Clamp Gasket	4	M075
6	Sportz / HD Outer Rail Clamp Gasket	4	M074
7	Heavy Duty Outer Rail Clamp	4	M078
8	M6 x 12.5mm Flat Washer S/S	8	W003
9	M6 Spring Washer S/S	8	W004
10	M6 x 90 Button Head Security Screw S/S	8	B097
11	Fin-Loc Nut FLHBM6 Brass	8	N014
12	M8 x 21mm x 2mm HVY Steel Washer Galv	4	W036
13	M8 Spring Washer S/S	4	W019
14	M8 x 25mm Hex Set Screw S427	4	B101
15	M5 Long Arm Allen Key & Handle	1	Torkey-S
16	Fitting Instruction	1	RR61



Layout



Tools Required

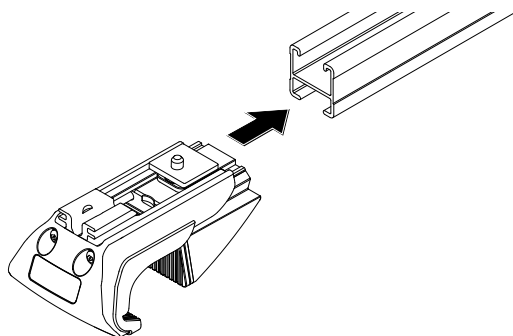
Allen key, provided in kit
Tape measure
13mm socket

Care Instructions

Before fitting the Heavy Duty Rail Roof Rack, wash and clean the roof rails to remove dirt and grime.

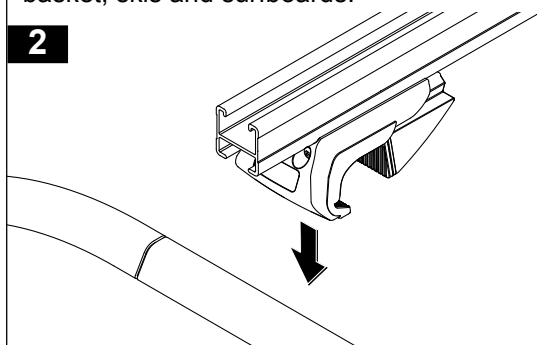
Slide the leg assemblies into both ends of the heavy duty crossbar.

1



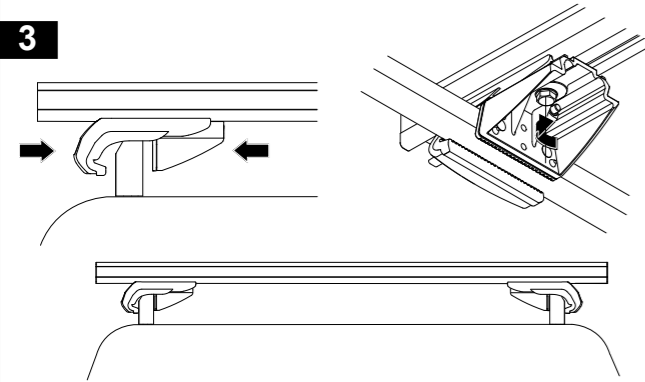
Place the roof rack over the rails so that the leg assembly locates on top of the rails. Position the roof rack to suit your load requirements such as alloy tray, luggage basket, skis and surfboards.

2



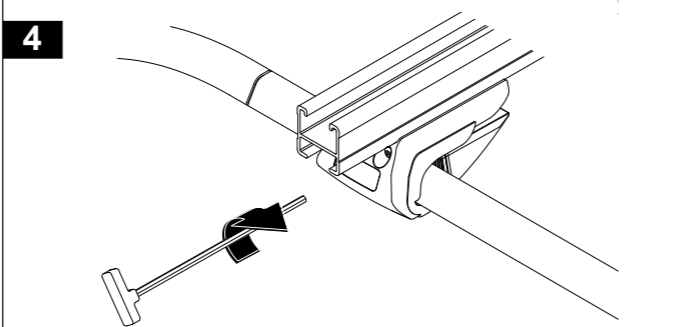
Pull the inner and outer clamp legs together around the rails. Adjust the heavy duty crossbar so that the crossbar over hang is equal both sides, finger tighten the crossbar attachment bolt.

3



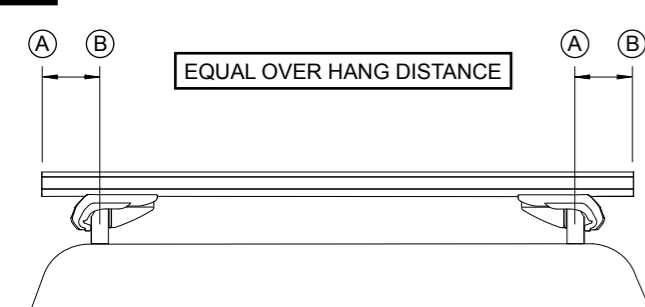
Using the security allen key provided, tighten both leg clamp bolts equally, the outer clamp leg will move in towards the inner clamp leg. The leg assembly on some vehicles will lift as the security bolts are tightened. **Do not fully tighten the security bolts** as final tightening occurs later. Check that the outer clamp leg rubber seal has folded out over the roof rails.

4



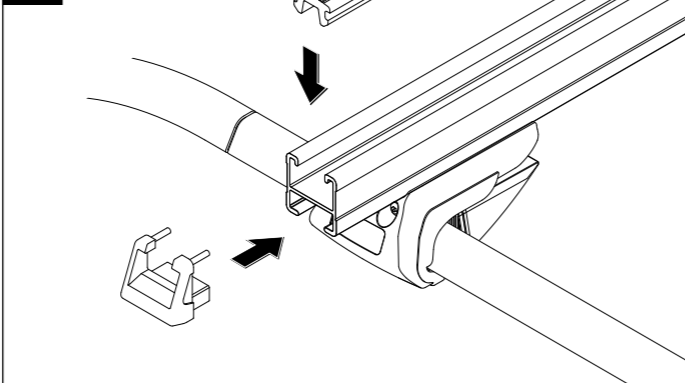
Check the crossbar over hang (A) (B) is equal on both sides, re-adjust if required. Fully tighten the security leg clamp bolts, and then the crossbar attachment bolts using a 13mm spanner. **Do not over tighten.**

5



Using a rubber mallet knock the end caps into the crossbars, insert the rubber buffer strip fully into the crossbar as per the diagrams. Check the buffer strip is fully inserted.

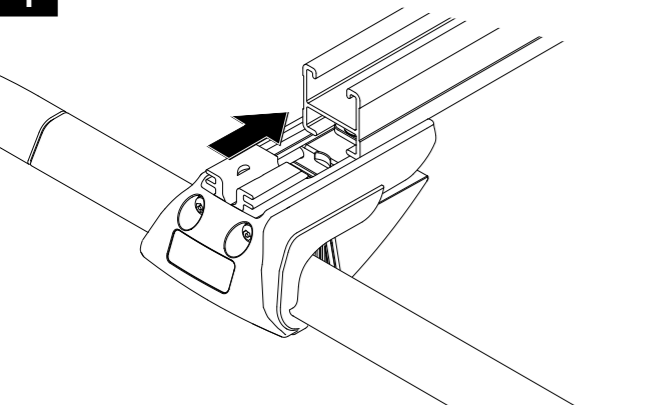
6



CXB Fitting Instruction For Crossbar Overhang Greater Than The Allen Key Length

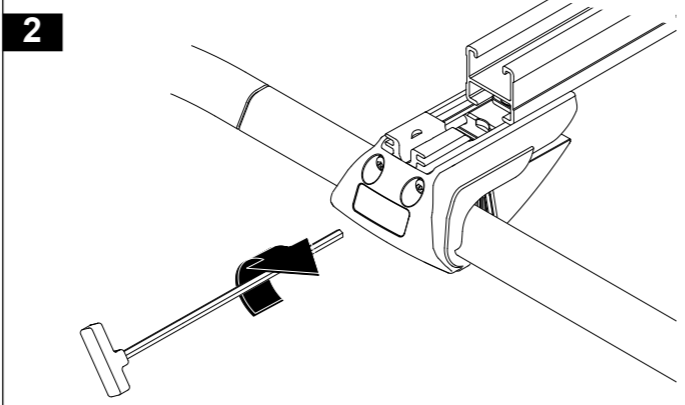
Fit the CXB leg clamps and crossbar as per the above fitting instruction for steps 1, 2 and 3, but make sure the attachment bolts are left loose. To access the leg clamp security bolts, push the crossbar across the vehicle until the security allen key will access the security bolts.

1



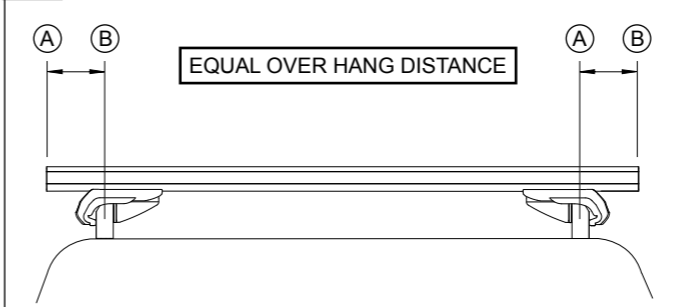
Using the security allen key provided, tighten both leg clamp bolts equally, the outer clamp leg will move in towards the inner clamp leg. The leg assembly on some vehicles will lift as the security bolts are tightened. Fully tighten the security bolts. Check that the outer clamp leg rubber seal has folded out over the roof rails.

2



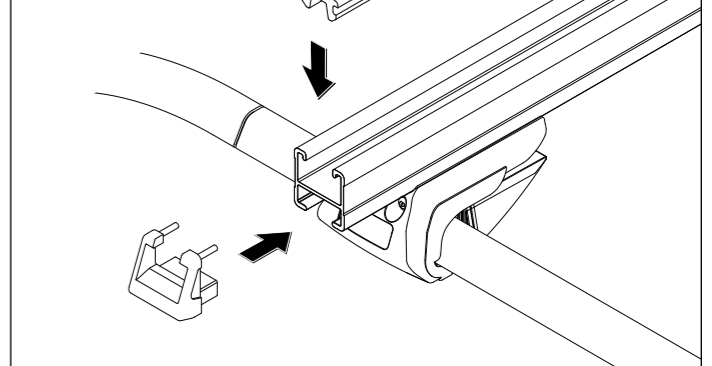
Check the crossbar over hang (A) (B) is equal on both sides, re-adjust if required. Fully tighten the security leg clamp bolts, and then the crossbar attachment bolts using a 13mm spanner. **Do not over tighten.**

3



Using a rubber mallet knock the end caps into the crossbars, insert the rubber buffer strip fully into the crossbar as per the diagrams. Check the buffer strip is fully inserted.

4



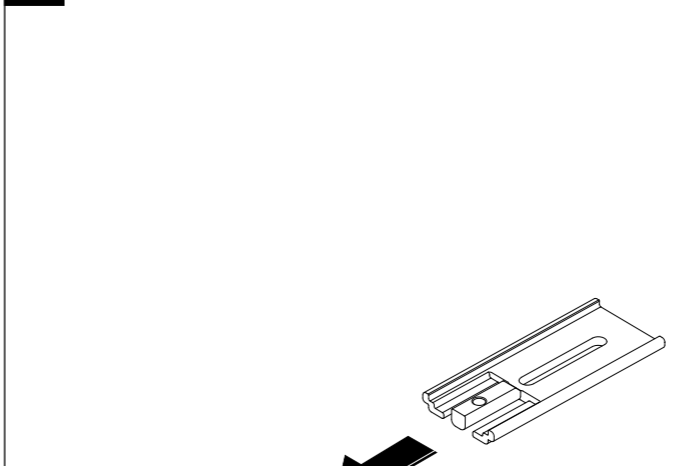
Fitting Leg Height Spacers

Leg height spacers can be fitted to level a three or four crossbar heavy duty rails roof rack system. To fit an existing system, the roof racks will need to be removed to fit the spacers. The fitting sequence for one or more spacers are the same.

Fitting One Leg Height Spacer

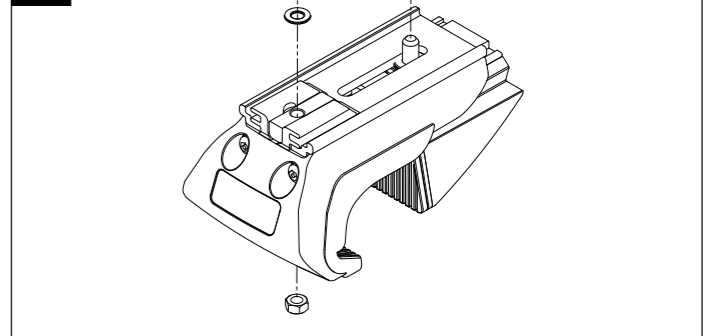
Slide the type 1 spacer onto the outer clamp leg.

1



Assemble the flat washer onto the M6 x 20mm hex bolt, insert through the spacer and leg clamp and screw into the M6 nyloc nut. Replace the original crossbar attachment bolt with the longer M8 x 30mm bolt as per the diagrams.

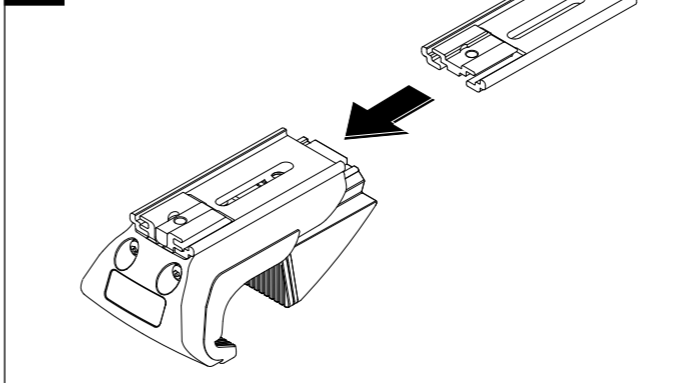
2



Fitting Two or More Leg Height Spacers

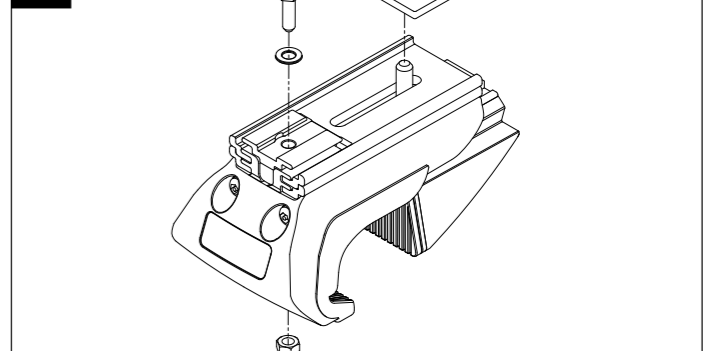
Slide the type 1 spacer used for a single crossbar lift onto the front clamp leg. Slide the second type 2 spacer on top of the first spacer.

1



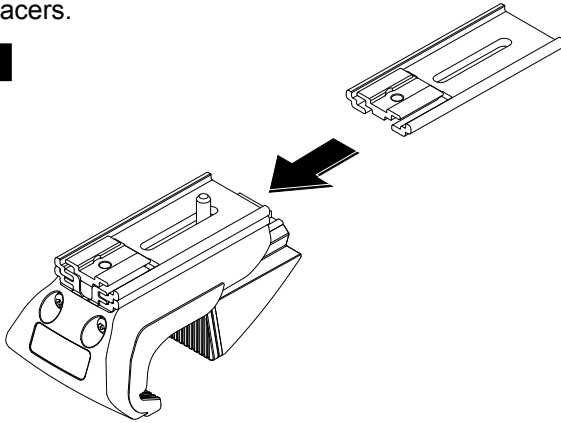
Assemble the M6 flat washer onto the M6 x 30mm hex bolt, insert through the spacers and leg clamp and screw into the M6 nyloc nut, Replace the original crossbar attachment bolt with a longer M8 x 35mm bolt.

2



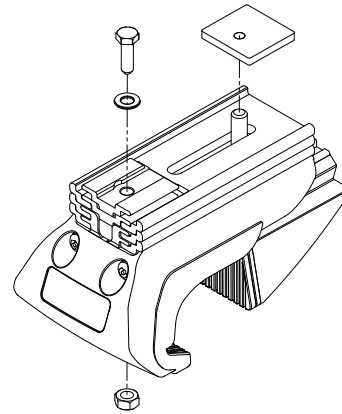
Fitting additional spacers follow the same process as fitting the first two spacers, the first spacer being a type 1 spacer followed by type 2 spacers for however many that are required. For a three leg height spacer system first slide in a type 1 spacer followed by two type 2 spacers.

3



The three leg height spacer system will require a M6 x 35mm spacer bolt and the crossbar attachment bolt would be M8 x 40mm. If fitting more than three spacers check the required bolt lengths before fitting.

4



Important Information

RECOMMENDATIONS

Please refer to your vehicle manufacturers operating manual for maximum roof load rating.

It is essential that all bolt connections be checked after driving a short distance when you first install your Rhino-Rails Crossbars. Bolt connections should be checked again at regular intervals (probably once a week is enough, depending on road conditions, usage, loads and distances travelled). You should also check the roof bars each time they are refitted.

Crossbars and accessories should be cleaned and all screw threads should be lubricated at regular intervals.

Rhino-Rack offers a 3 year warranty to the original purchaser of the Rhino-Rack rails roof rack system and Accessories. Rhino-Rack cannot be held responsible for incorrect mounting of the roof rack system or for usage that exceeds vehicle and production tolerances.

Make sure to fasten your load securely. Please ensure that all loads are evenly distributed and that the centre of gravity is kept as low as possible. Use only non-stretch fastening ropes or straps.

SENSITIVITY TO CROSSWINDS, BEHAVIOUR IN CURVES AND BRAKING

The handling characteristics of the vehicle change when you transport a load on the roof. For safety reasons, we recommend you exercise extreme care when transporting wind-resisting loads; special consideration must be taken into account when braking.

PLEASE REMOVE CROSSBARS WHEN PUTTING VEHICLE THROUGH AN AUTOMATIC CAR WASH

LOAD RATINGS

The vehicle manufactures recommended load rating is the maximum permissible load per pair of roof racks (include the weight of the roof rack, 5kg). When roof bars are to be used in extreme off-road conditions please build a safety factor of 1.5 into this maximum load limit. Although roof bars are tested and approved to AS1235-2000, Australian road conditions can be much more rigorous.