



Heavy Duty Jack Stands

Operating Instructions & Parts Manual

Model Number

ATD-7443

ATD-7446

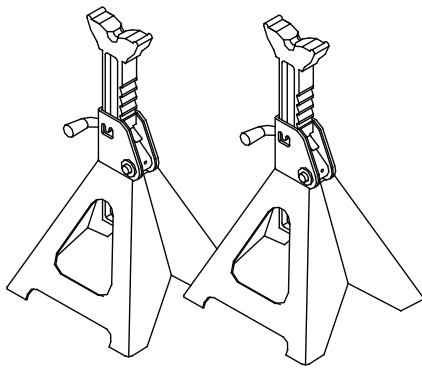
ATD-7448

Capacity per pair

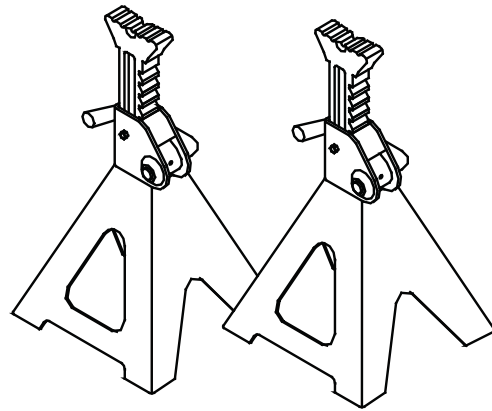
3 Ton

6 Ton

12 Ton



Models ATD-7443 and ATD-7446



Model ATD-7448



This is the safety alert symbol. It is used to alert you to potential personal injury hazards. Obey all safety messages that follow this symbol to avoid possible injury or death.

ADVERTENCIA

- Leer, comprender, y seguir las instrucciones antes de utilizar el aparato.
- El manual de instrucciones y la información de seguridad deben estar comunicado en lengua del operador antes del uso.
- No seguir estas indicaciones puede causar daños personales o materiales.

WARNING

To avoid **crushing and related injuries**:



NEVER work on, under or around a load supported only by a hydraulic jack. **ALWAYS** use adequately rated jack stands.

Read this manual and follow all the Safety Rules and Operating Instructions before using this product.

WARNING

WARNING: This product may contain chemicals, including lead, known to the State of California to cause cancer, birth defects or other reproductive harm. *Wash hands after handling.*

SAFETY and GENERAL INFORMATION

Save these instructions. For your safety *read, understand, and follow* the information provided with and on this pair of jack stands before using. The owner and operator of this equipment shall have an understanding of the jack stands and safe operating procedures before attempting to use. The owner and operator shall be aware that use of this product may require special skills and knowledge. Instructions and safety information shall be conveyed in the operator's native language before use of these jack stands is authorized. If any doubt exists as to the safe and proper use of these jack stands, remove from service immediately.

Inspect before each use. Do not use if broken, bent, cracked, or damaged parts (including labels) are noted. Any jack stand that appears damaged in any way, operates abnormally or is missing parts, shall be removed from service immediately. If you suspect that the jack stand was subjected to a shock load (a load dropped suddenly, unexpectedly upon it), immediately discontinue use until the stand has been checked by a factory authorized service center (contact distributor or manufacturer for list of authorized service centers). It is recommended that an annual inspection be done by qualified personnel. Labels and Owner's Manuals are available from the manufacturer.

PRODUCT DESCRIPTION

Heavy Duty Jack Stands are designed to support rated capacity, partial vehicle loads consisting of one end of a vehicle. Use as a matched pair to support one end of a vehicle only.

⚠ NEVER use automotive jack stands to support *both ends or one side* of a vehicle!
Use only **one (1) pair** per vehicle. Rated capacity is **per pair** only!

SPECIFICATIONS

Model	Capacity (per pair)	Base Size	Min. Height	Max. Height	Saddle Size	Weight
ATD-7443	3 Ton	7-3/4" x 6-3/4"	11-1/2"	17"	3-1/2" x 1"	16 lbs.
ATD-7446	6 Ton	10-5/8" x 9-1/4"	15-3/8"	24-3/8"	4-1/4" x 1-1/4"	34 lbs.
ATD-7448	12 Ton	12" x 10-3/4"	17-1/2"	27-1/2"	4-5/8" x 1-1/2"	61 lbs.

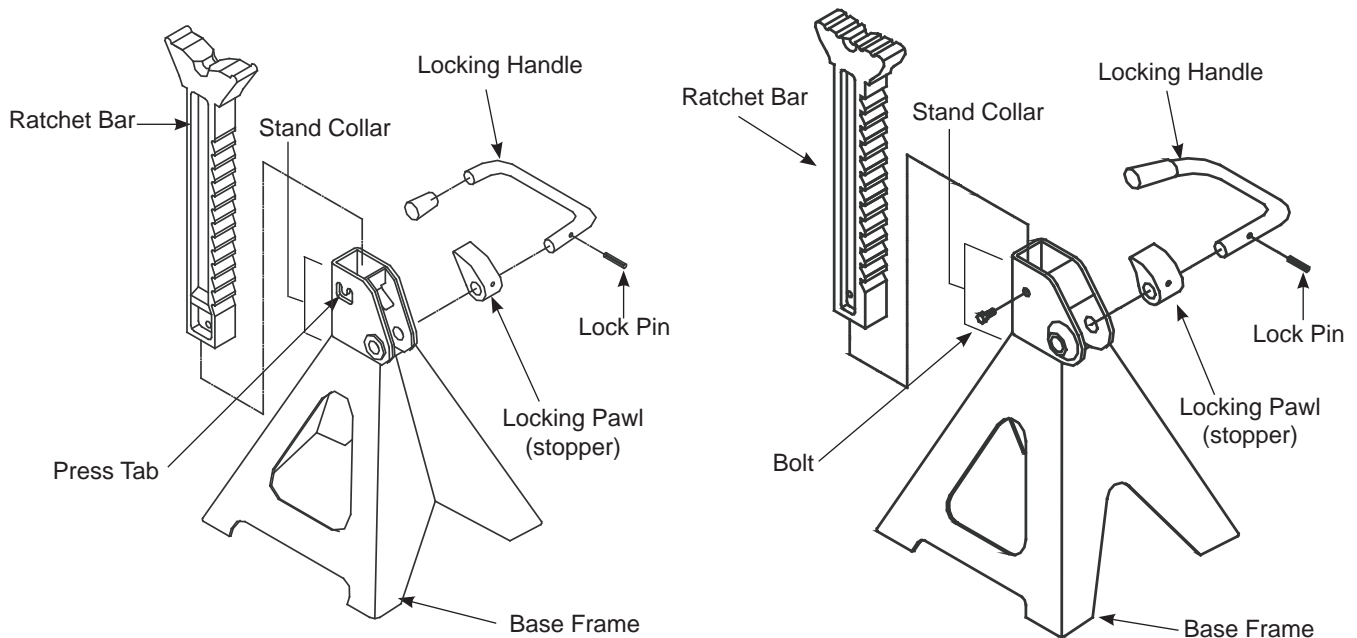


Figure 1 - Models ATD-7443 & ATD-7446 components

Figure 2 - Model ATD-7448 components



WARNING

- Study, understand, and follow all instructions provided with and on this device **before use**.
- **Rated capacity is PER PAIR! DO NOT** exceed rated capacity.
- Use as a matched pair to support one end of a vehicle only. Use only **ONE (1) PAIR** per vehicle.
- Use only on hard, level surface.
- Center load on saddle.
- Jack stands are not to be used to simultaneously support both ends or one side of a vehicle.
- No alterations shall be made to this device.
- Failure to heed these markings may result in personal injury and/or property damage.

PREPARATION

Assembly (refer Fig. 1 & 2)

1. Make sure all parts are present. If any part is missing or damaged, do not attempt to assemble, install or operate the product.
2. Install ratchet bar into base frame with ratchet portion of bar aligned with locking pawl.
3. Move the ratchet bar to its lowest position by raising the locking handle, thereby releasing the stopper and guiding the bar downward.
4. To help prevent inadvertent loss of the ratchet bar:
 - a) For Model ATD-7443 & ATD-7446:
(Tools required: Hammer and Punch)
Press the press tab inward using a suitable hammer and punch.
 - b) For Model ATD-7448:
(Tools required: 12mm Wrench)
Tighten the M7.5x20 hex bolt found on the collar.

Before Use

1. Verify that the product and the application are compatible, if in doubt call the Technical Service line (888) 332-6419.
2. Inspect stands before each use. Do not use if there are bent, broken or cracked components noted (including labels). Ensure that all parts move freely.
3. Read the operator's manual completely and familiarize yourself thoroughly with the product and the hazards associated with its improper use **before** using this product.
4. Always refer to the vehicle owners or service manual for location of proper lift and support points.

OPERATION



Use only on areas of the vehicle as specified by the vehicle manufacturer. **Use ONLY** on vehicles whose support points are **compatible** with the saddle of the jack stand. Incompatibility may result in structural damage to the vehicle and/or jack stand. Structural damage to either may result in sudden and unexpected loss of load height!



Only attachments and/or adapters supplied by the manufacturer shall be used.

1. Adjust height by pulling up on ratchet bar.
2. The weight of locking handle should secure the ratchet bar in desired position. To confirm this, simply push down on the locking handle. Ensure ratchet is secure before loading.
3. *Carefully* position jack stands so that load is centered on stand's saddle.
4. *Slowly* lower the vehicle onto the stands.
5. Check to ensure vehicle is secure before working on, around or under. Use wheel chocks on all unlifted wheels in both directions to prevent inadvertent movement.

To lower load



Be sure that all tools and personnel are clear before lowering load.

1. With suitable jack, raise vehicle clear of stands.
2. Carefully release stopper and allow ratchet to glide down to lowest position.
3. Carefully remove stands, then carefully lower vehicle with lift device.

MAINTENANCE

Periodically inspect each stand. Ensure all parts move freely. Do not apply oil or grease to any portion of this product. If rust appears, sand affected area and cover with suitable utility paint.

Storage

Store stands in upright position and in a clean, dry area.

REPLACEMENT PARTS

Individual replacement parts are not available for this product. Jack stands are sold as a matched pair. For product labels and owners manual, call your distributor.