



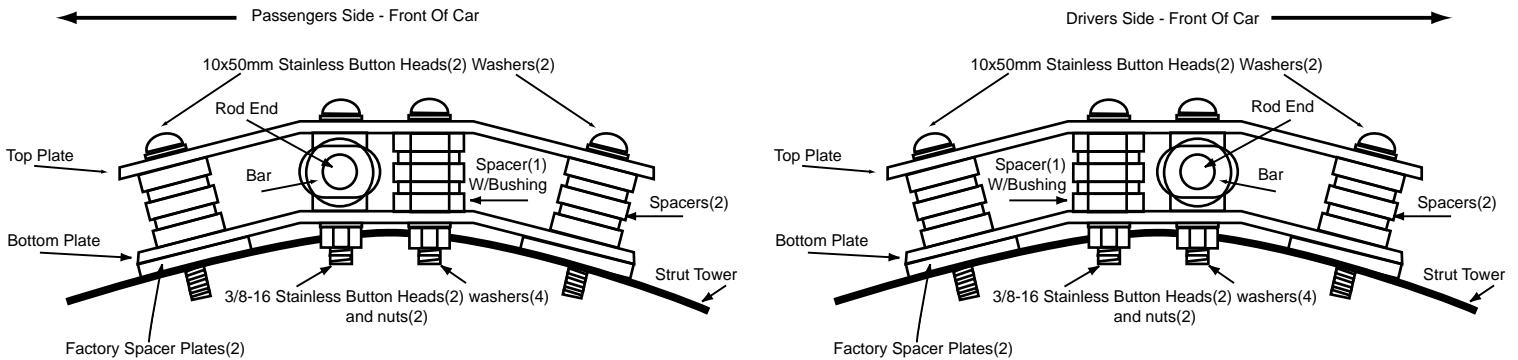
Driven to improve excellence.

Truss Mount 2 Point Strut Brace

911/912/930

READ BEFORE INSTALLATION

The use of any Rennline product is the sole responsibility of the end user. Rennline Inc. accepts no responsibility for warranty voids or damage resulting from the use of these products. Do to the varying location of wiring harnesses and other components, carefully inspect any area prior to drilling. All Rennline products are intended for off road use and should be installed by a qualified automotive technician.



Check to make sure that you have all parts listed prior to installation. If anything is missing contact us immediately.

Parts List

- (4) M10x50X1.5 S/S Button Cap Screw - MC92095A424
- (12) .375 S/S Washer - MC98017A199
- (6) .411D X.910OD X.60 6061 Spacers - SPC
- (1) 1/2-20 Rod end - CVEM8
- (1) 1/2-20 Rod end - CVEM8L
- (1) 1/2-20 Jam Nut - MC94846A525
- (1) 1/2-20 Jam Nut - MC99612A136
- (4) 3/8-16 S/S Nut - MC91845A031
- (4) 3/8-16 X1.5" S/S Button Cap Screw - MC92949A628
- (2) 3/8 Bronze Bushings .5 OD - MC6391K174



Install as shown above. Note: Drivers side top bracket is marked with a red dot on the top side
Keep all bolts finger tight until installation is complete.

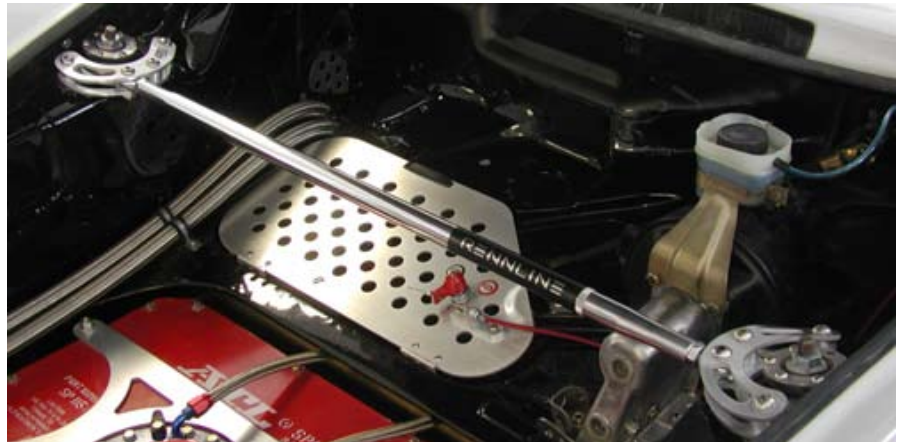
BARS

Install rod ends into each end of cross bars. All left handed threads are marked in red.

Tighten all components except for the lock nuts on each end of the cross bars.

Cross bar length is adjusted by rotating center bar while end joints stay stationary.

Adjust Cross bars to the desired prestress and then tighten lock nuts.

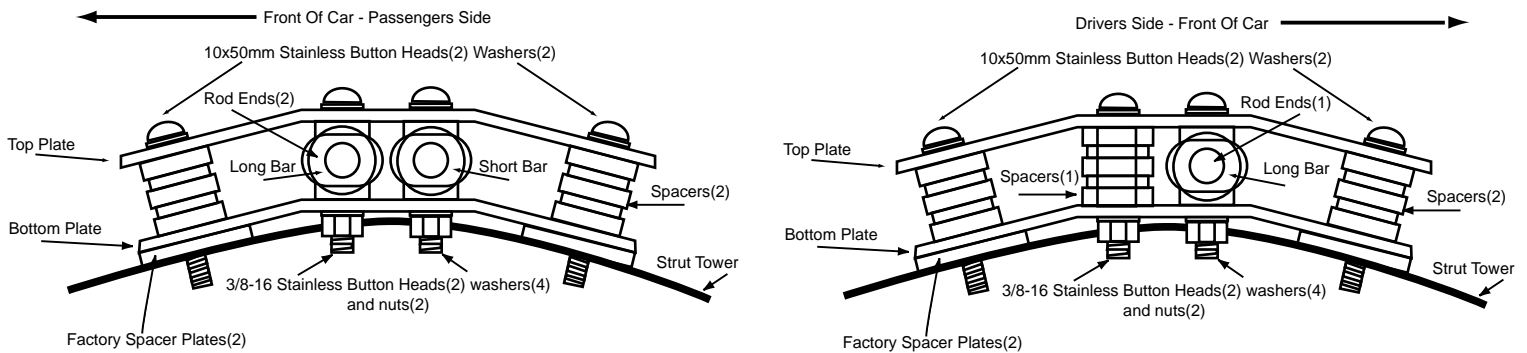


Truss Mount 3 Point Strut Brace

911/912/930 W/Power Brakes

READ BEFORE INSTALLATION

The use of any Rennline product is the sole responsibility of the end user. Rennline Inc. accepts no responsibility for warranty voids or damage resulting from the use of these products. Do to the varying location of wiring harnesses and other components, carefully inspect any area prior to drilling. All Rennline products are intended for off road use and should be installed by a qualified automotive technician.



Check to make sure that you have all parts listed prior to installation. If anything is missing contact us immediately.

Parts List

- (1) 29.75" Bar - SB91
- (1) 23.25" Bar - SB92
- (1) Left Bracket set(1 upper 1 lower)
- (1) Right Bracket set(1 upper 1 lower)
- (4) M10x50X1.5 S/S Socket Cap Screw - MC91292A164
- (12) .375 S/S Washer - MC98017A199
- (6) .41ID X.910OD X.60 6061 Spacers - SPC

- (1) 1/2-20 Rod end - CVEM8
- (1) 1/2-20 Rod end - CVEM8L
- (1) 1/2-20 Jam Nut - MC94846A525
- (1) 1/2-20 Jam Nut - MC99612A136
- (4) 3/8-16 S/S Nut - MC91845A031
- (4) 3/8-16 X1.5" S/S Button Cap Screw - MC92949A626
- (2) 3/8 Bronze Bushings .5 OD - MC6391K174

Lower Bracket

Install as shown using the factory hardware.

Position on top of master cylinder.



BARS

Install rod ends into each end of cross bars. All left handed threads are marked in red.

If your lower bar has a brass bushing attached to it with zip tie, install this bushing into rod end using a hammer or vise.

Tighten all components except for the lock nuts on each end of the cross bars.

Cross bar length is adjusted by rotating center bar while end joints stay stationary.

Adjust Cross bars to the desired prestress and then tighten lock nuts.



SB- 809192 (A)