

REKLDO

1970-1981 2nd Gen F-Body Control Arms
RK100-21

CONTROL ARM TEARDOWN INSTRUCTIONS:

1. Before working on the vehicle, always apply the parking brake and support with jack stands.
2. Remove wheel, brake caliper, and rotor. Remember to support caliper so it does not hang by the brake hose.
3. Compress coil spring.
4. Remove coil spring and shock.
5. Loosen upper and lower ball joint nuts, and remove ball joints from spindle.
6. Secure the spindle out of the way with tie-rod still attached.

UPPER CONTROL ARM INSTALLATION:

1. Before removal, take note of the number and position of alignment shims so they can be replaced.
2. Install UCA and shims – snug bolts only at this time.
3. Install ball joint into spindle – torque to 65 ft./lbs.
4. Install cotter pins into ball joint castle nuts.

Part Description	Qty
#1 Caster Pill	4
#2 Caster Pill	4

Caster pill #1 gives +/- 1/8" caster adjustment while caster pill #2 gives +/- 1/4" adjustment.

INSTALLING CASTER PILLS:

Caster pills can be installed in (x2) positions to either increase or decrease caster.

When installed with the hole offset towards the front of the vehicle (**Figure 1**), positive caster will be **increased**. When installed with the hole offset towards the rear of the vehicle (**Figure 2**), positive caster will be **decreased**.

Take note to ensure that the caster pills are sandwiched between the upper control arm mount and the cross shaft, as shown.

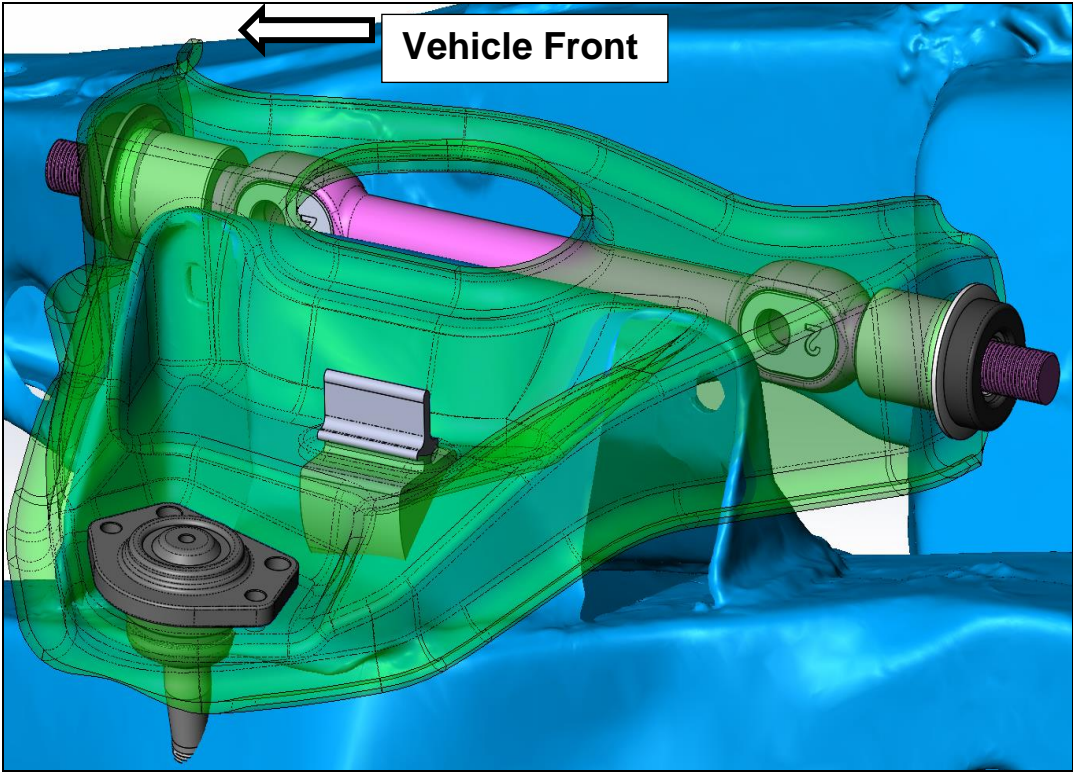


Figure 1

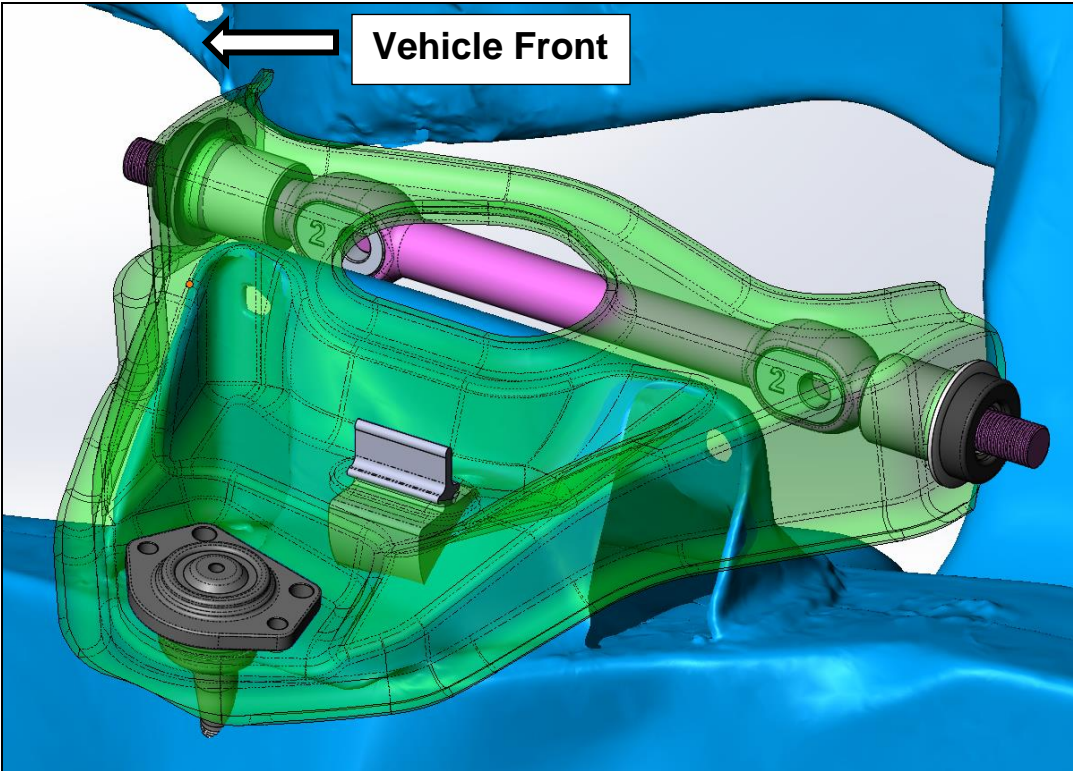


Figure 2

LOWER CONTROL ARM INSTALLATION:

1. Lubricate outer faces of bushings with supplied grease packet.
2. Install LCA to frame and snug the bolts only at this time.
3. Install J nuts into lower control arm. Take care to make sure that the nut is positioned on the top of the arm, with the clip on the bottom side of the arm.
4. Compress and install spring along with shock.
5. Install ball joint into spindle – torque to 90 ft./lbs.
6. Install cotter pins into ball joint castle nuts.

FINALIZING INSTALLATION:

1. Reinstall rotor, brake caliper, and wheel.
2. Lower the car back onto the ground, allowing the suspension to settle.
3. Torque lower control arm to chassis bolts to 65 ft./lbs.
4. Torque upper control arm to frame bolts to 75 ft./lbs.
5. Install grease fittings into ball joints.
6. Grease ball joints.
7. Re-check torque value on all fasteners after 20 miles.
8. It is highly recommended to get the car re-aligned after new control arm installation.

REKUDO® Technical Support
270-781-9741 or www.holley.com

© 2020 REKUDO, Inc. All rights reserved. Tous Droits Réservés.

199R12003
Date: 2-18-20