

INSTALLATION INSTRUCTIONS

BASE RAIL MOUNTING KIT

GM COMPOSITE BED

58208

DEALER/INSTALLER:

- (1) Provide this Manual to end user.
- (2) Physically demonstrate procedures in this Manual to end user.
- (3) Have end user demonstrate that he/she understands procedures.

END USER:

- (1) Read and follow this Manual every time you use Hitch.
- (2) Save this Manual for future reference.
- (3) Pass on copies of Manual to any other user or owner of Hitch.

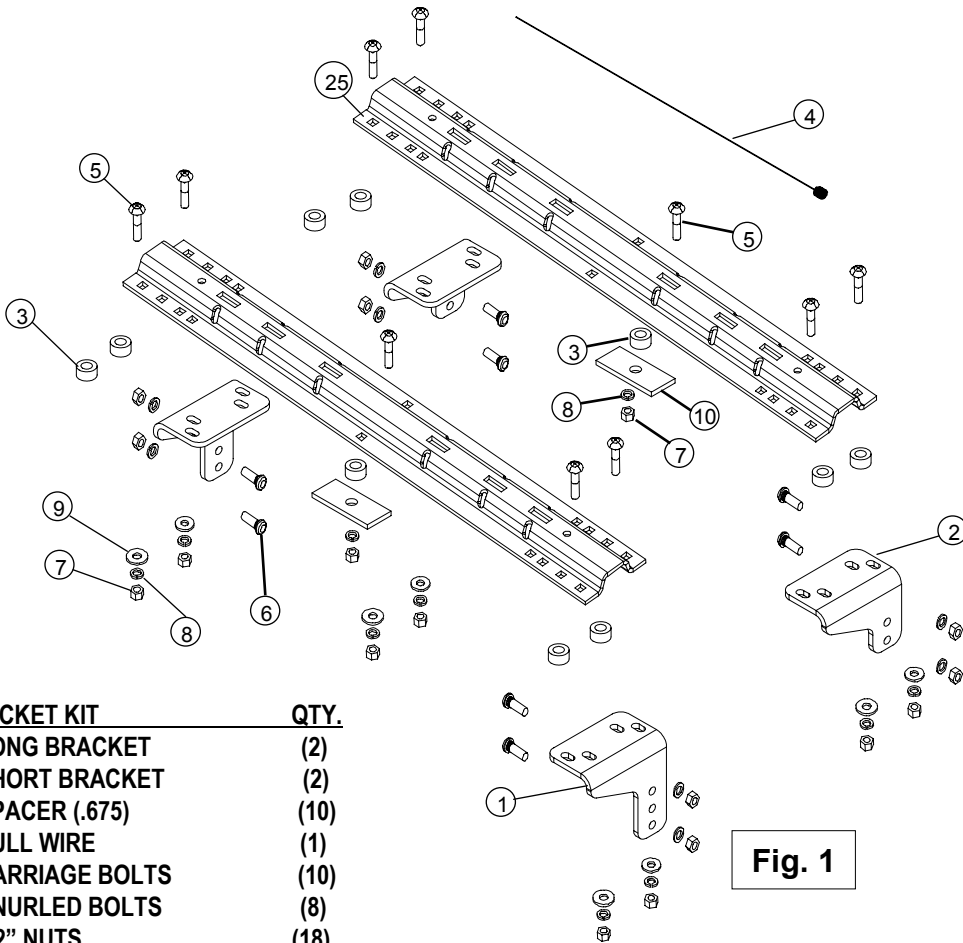


Fig. 1

BRACKET KIT	QTY.
1. LONG BRACKET	(2)
2. SHORT BRACKET	(2)
3. SPACER (.675)	(10)
4. PULL WIRE	(1)
5. CARRIAGE BOLTS	(10)
6. KNURLED BOLTS	(8)
7. 1/2" NUTS	(18)
8. 1/2" LOCKWASHERS	(18)
9. 1/2" SERRATED WASHERS	(8)
10. BOLT PLATE	(2)
25. BASE RAILS*	(2)

*NOT INCLUDED. (KIT 58058)

GENERAL INSTRUCTIONS FOR BASE RAIL INSTALLATION

TOOLS

3/16" drill	3/4" Socket & Open End Wrench
17/32" drill	100 lb-ft Torque Wrench
1-1/2" Hole saw	"C" Clamps

1. The following instructions should be used to mount the 5th wheel. Care and attention to detail will ensure a quick quality installation. Check parts against parts list to become familiar with parts in kit. (See Fig. 1)
2. Raise rear of truck high enough to allow jack stands to be placed under rear spring hanger bracket of truck. This will provide maximum room to install the 5th wheel brackets.

WARNING:

If the truck is raised, be sure that the truck is properly blocked and restrained to prevent the truck from falling. Failure to do so may result in the truck suddenly falling, causing death or serious injury.

3. Use only TOWING PRODUCTS supplied bolts, nuts, and washers to install this kit. All bolts are grade 5 and nuts are grade 5 unless specified otherwise.
4. If these instructions do not apply to your vehicle, be sure that each end of each base rail is connected to the vehicle frame. Each frame bracket must be bolted to the vehicle frame with two bolts, unless optional weld is used.

CAUTION:

These instructions are guidelines only. Actual installation is the responsibility of the installer and the owner. Always measure truck and trailer before installing hitch to be sure that there is clearance at the cab and at the bumper to allow for turns.

To prevent the trailer from hitting the cab during normal operation, the center of the hitch should be at least 52" from the back of the cab when using a long bed truck. Short bed trucks require a minimum of a 13" extended pin box for regular maneuvers and do not apply to the 52" criteria. (Actual distance required will depend on trailer width and king pin location.)

5. Measurements are given from Rear Edge of truck bed to rear edge of the base rail closest to the Rear Edge of truck for most vehicle applications (See Fig. 3).
6. Center hitch between fender wells and make sure rails are square. Adjust position of rails until both diagonal measurements are the same. This should allow installation of a gooseneck or other 5th wheels to these rails (See Fig. 3).

CAUTION:

Check for obstructions before drilling. Failure to do so could result in damaged fuel or brake lines, structural members, etc. TOWING PRODUCTS does its best to communicate tow vehicle manufacturer changes; however, it is ultimately the responsibility of the installer to prevent damage due to installation.

7. Drill 8 holes identified in Fig. 3. (Hole location will vary for individual vehicle applications.) Drill all holes with 3/16" drill and enlarge them with a 1-1/2" hole saw. Always use sharp drill bits. A 3/16" pilot hole will greatly speed drilling larger holes. For Kwik-slide and The Goose application drill 2 holes identified in fig. 3 (check for obstructions). Drill all holes with 3/16" drill and enlarge them with a 1-1/2" hole saw.
8. Clamp brackets to frame against bottom of truck bed as shown in Fig. 3, so two of the slots of the bracket center in the 1-1/2" holes in bed.

9. From truck bed drop round spacers into 1-1/2" holes so they sit on the frame brackets(see Fig. 2a). Center proper base rail holes (see Fig. 3) over spacers and insert carriage bolts down thru rail, spacer, and frame bracket. Loosely attach serrated washer, lock washer, and 1/2" nut from under truck bed. For Kwik-slide and The Goose application insert carriage bolts down thru center hole in rails. From under truck bed loosely attach spacer, bolt plate, lock washer and nut (see Fig 2b).

Note: On vehicles with heavy duty suspensions, check for interference with bolts where brackets are mounted to frame. If interference with suspension spring results, cut bolt flush to nut outboard of frame or use weld option.

⚠ WARNING:
DO NOT lubricate threads. It may cause bolt failure

⚠ CAUTION: ⚠
Check for obstructions before drilling. Failure to do so could result in damaged fuel or brake lines, structural members, etc. TOWING PRODUCTS does its best to communicate tow vehicle manufacturer changes; however, it is ultimately the responsibility of the installer to prevent damage due to installation.

⚠ CAUTION: ⚠
It is important that 17/32" drill be used for holes in chassis frame as rib neck bolts may break if too small a hole is used and neck may not grip if too large a hole is used.

10. Use side bracket/ hitch base assy. to position rails (see Fig. 3), clamped bracket positions may have to be adjusted slightly.

11. Drill 2 holes in frame for each bracket. Select top and bottom holes in long brackets if possible. Install (8) 1/2"-13 x 1-3/8" ribbed neck bolts, (threads pointing out), lock washers, and hex nuts. Pull wire is provided to pull rib neck bolts thru frame as needed. Tighten nuts until bolt heads seat. Lubrication of knurls of all rib neck bolts is recommended.

12. Torque all nuts to 85 lb-ft

Fig. 2a

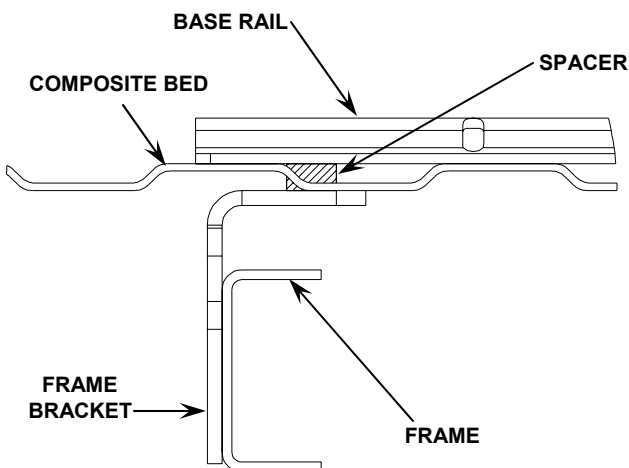
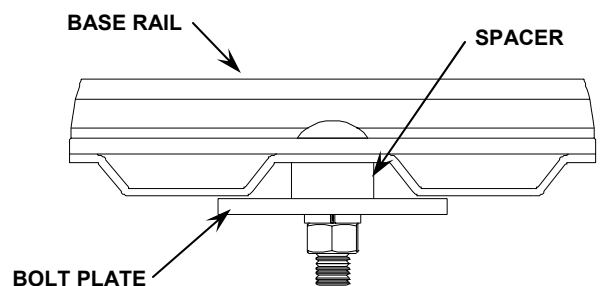


Fig. 2b





CAUTION!

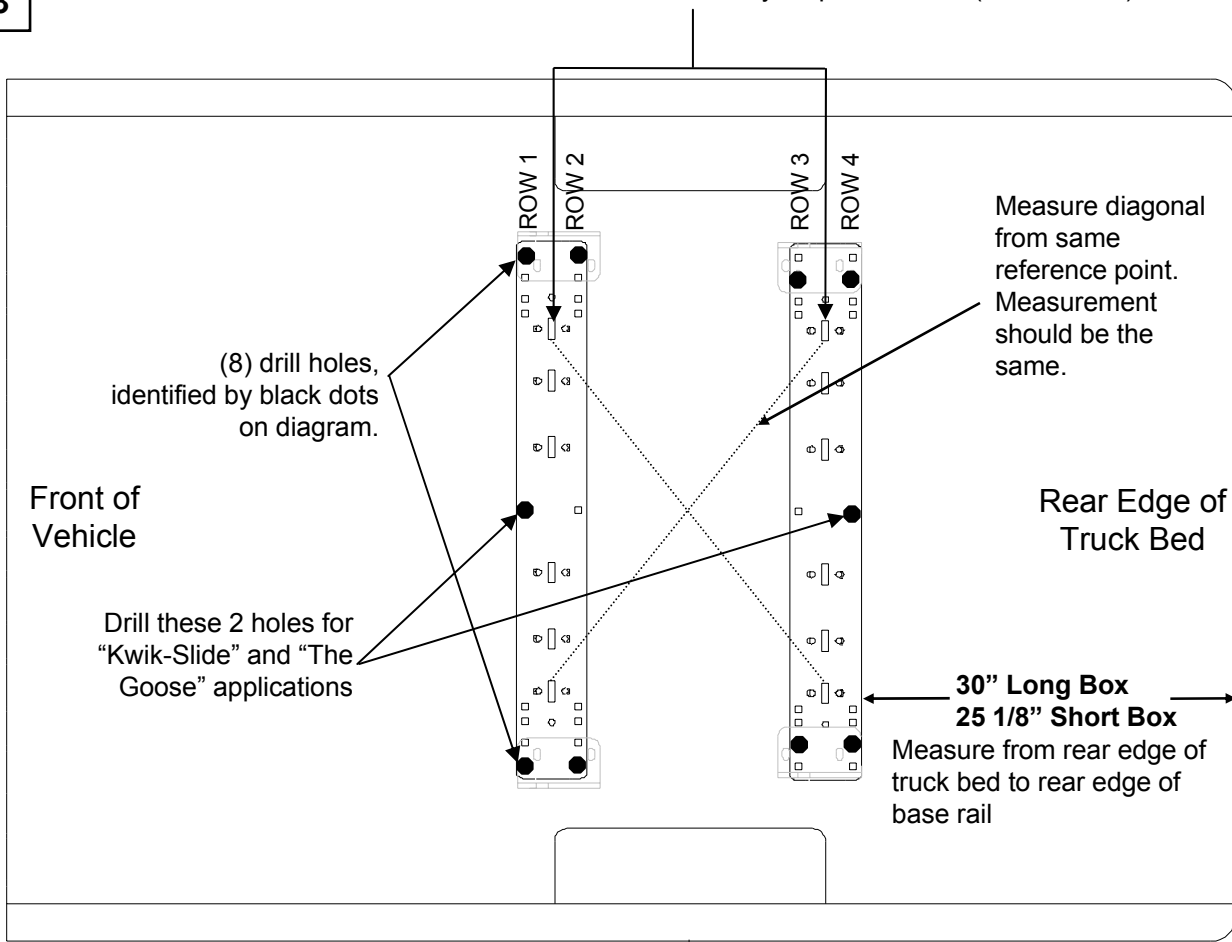
Read pages 2-3 of these instructions before starting installation. Failure to do so could result in significant vehicle damage!

IMPORTANT NOTES FOR THIS INSTALLATION:

1. Find parallel rows of bed sill spot welds in bed of truck. No drilling should be done in the 4" between parallel rows of spot welds where the bed sill sits.

Fig. 3

Use side bracket/hitch base assembly to position rails (not included)



DO NOT CUT OR DRILL BED SILLS

