

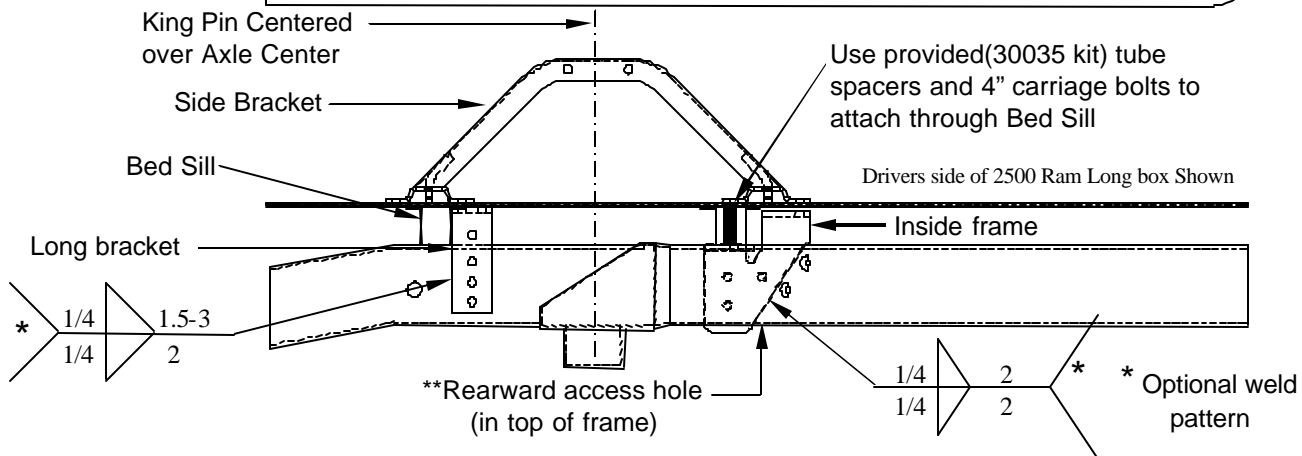
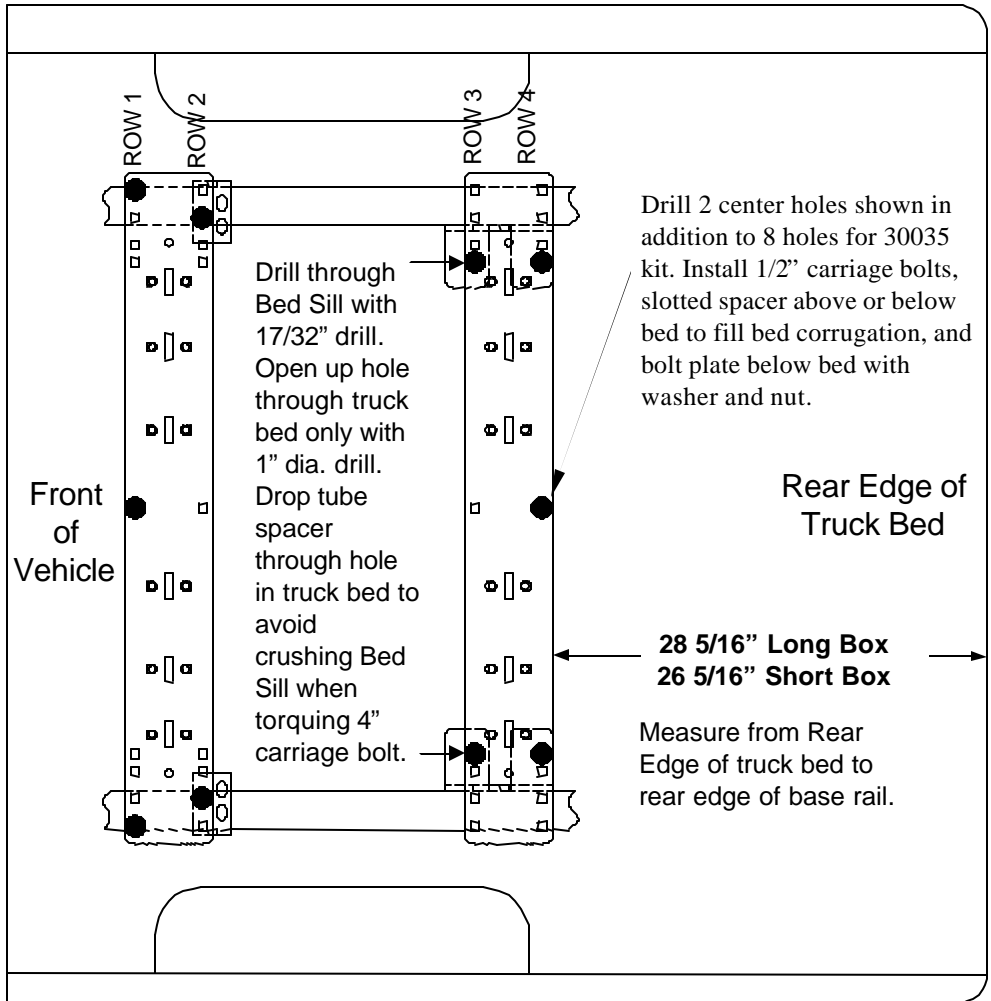
DODGE '03 AND NEWER 2500 AND 3500 WITH OVERLOAD BRACKETS (USE WITH 30035 KIT)



Read pages 2-3 of 30035 instructions before starting installation. Failure to do so could result in significant vehicle damage!

IMPORTANT NOTES FOR THIS INSTALLATION:

1. Tube spacers and 4" carriage bolts used to attach through rearward Bed Sill (Row 3).
2. **Rib neck bolts will need to be pulled through rearward access holes in frame with supplied pull wire (see below).
3. Do not drill thru both walls of frame. Drill only thru wall of frame to which bracket is mounted.
4. It is very important that brackets in Row 2 are against rear side of Bed Sill as shown. Due to dimensional instability in Bed Sill placement with the Dodge truck, interference could result when drilling in Row 3. Observe caution note below and double check all areas prior to drilling.
5. Rear brackets can be mounted to frame with (2) bolts in any combination of the three bracket holes.
6. *Due to tubular frames having thinner walls than previous C channel frames, extra caution needs to be used when mounting with the optional welding.



Check for obstructions before drilling. Failure to do so could result in damaged fuel or brake lines, structural members, etc. TOWING PRODUCTS does its best to communicate tow vehicle manufacturer changes; however, it is ultimately the responsibility of the installer to prevent damage due to installation.