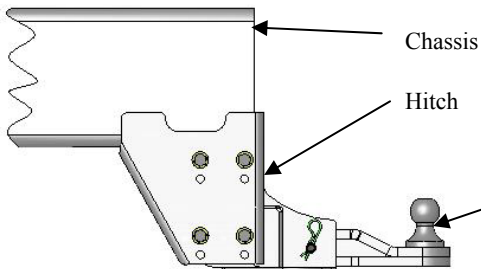


Installation Instructions

Part Numbers:

20K HITCH

38023N



Drawbar must be used in the **Drop** position only.

Hitch Shown In Proper Position

Equipment Required:

Fastener Kit: N/A

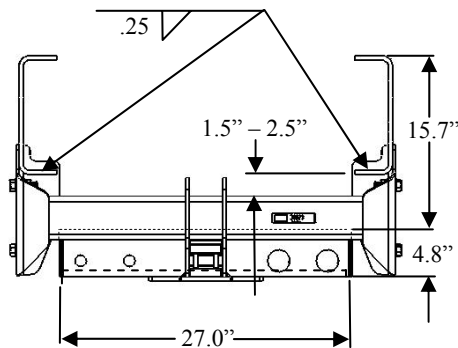
Wrenches: 15/16"

Drill Bits: None

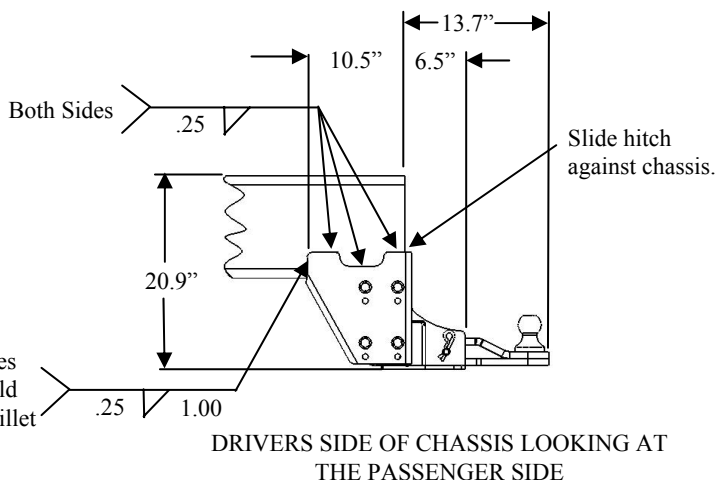
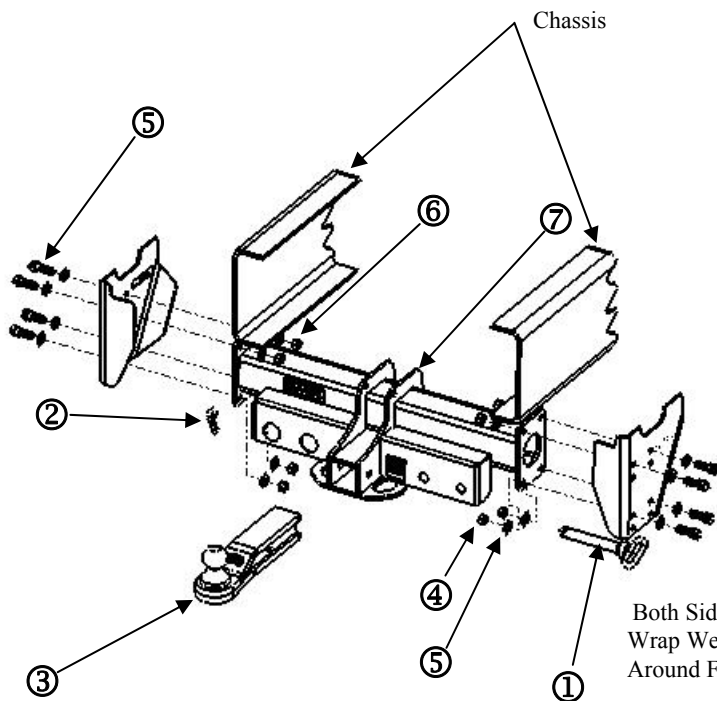
**Do Not Exceed Lower of Towing Vehicle
Manufacturer's Rating or**

20,000 LB (9072 Kg) Max Gross Trailer Weight

3,000 LB (1360.8 Kg.) Max Tongue Weight



FRONT OF CHASSIS LOOKING REARWARD



DRIVERS SIDE OF CHASSIS LOOKING AT THE PASSENGER SIDE

①	Qty. (1)	3/4" Hitch Pin with Lanyard	⑤	Qty. (16)	Harden Washer 5/8"
②	Qty. (1)	Clip	⑥	Qty. (8)	Hex Bolt (5/8" – 11 x 2" Grade 8)
③	Qty. (1)	Drawbar	⑦	Qty. (1)	Hitch
④	Qty. (8)	Hex Nut (5/8" – 11 Grade 8)			

1. Measure chassis width. If chassis measurement is greater than 34.50 inches then loosen hitch fasteners (Items 4,5 & 6)
2. Raise hitch into position. If fasteners were loosen, torque hitch fasteners (Items 4,5 & 6) while hitch is in position.
3. Weld hitch to chassis as shown above.
4. Check Torque on hitch fasteners (Items 4,5 & 6) to:

Tighten 5/8" – 11 Grade 8 fasteners to 190 lb.-ft. (257.6 N*M)

Note: check hitch frequently, making sure all fasteners and ball are properly tightened. A hitch or ball which has been damaged should be removed and replaced. Observe safety precautions when working beneath a vehicle and wear eye protection. Do not cut access or attachment holes with a torch.