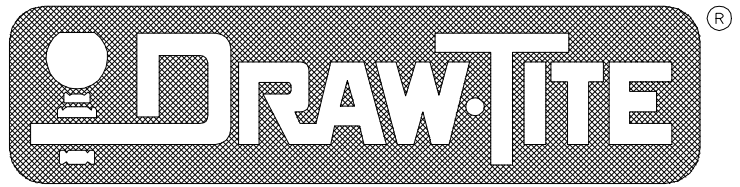
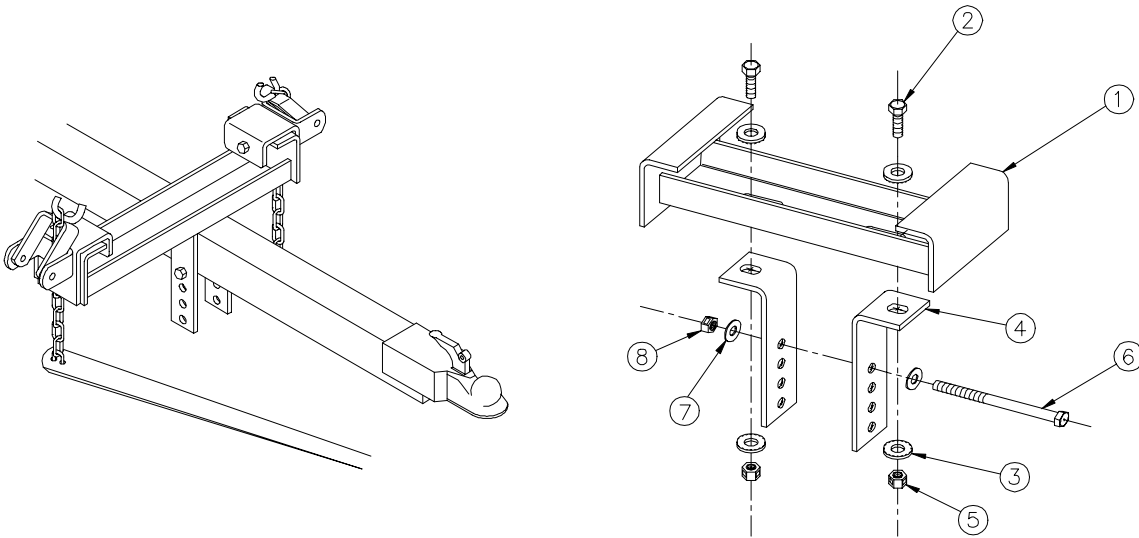


INSTALLATION INSTRUCTIONS



3280 POLE TONGUE ADAPTER FOR WEIGHT DISTRIBUTING TRAILER HITCHES



REF.	QTY.	DESCRIPTION
1	1	CROSS CHANNEL
2	2	BOLT, 1/2-13 X 1 1/4, GR. 5, HEX
3	4	CONICAL TOOTHED WASHER
4	2	BRACKET
5	2	LOCKNUT, 1/2-13
6	1	BOLT, 7/16-14 X 6 1/2, GR. 2, HEX
7	2	FLAT WASHER
8	1	LOCKNUT, 7/16-14

APPLICATION

The adapter is used as a mounting platform for the lift units of a weight distributing hitch system when a trailer has a pole tongue.

- * Fits all lift units regardless of manufacturer.
- * Fits tongue widths from 1-5/8" to 5".
- * Fits tongue heights from 3" to 6".

INSTALLATION

1. Center the cross channel (1) on the trailer tongue approximately 30" from the center of the coupler. This dimension may be different depending on manufacturer of the weight distributing hitch system.
2. Install 1/2" bolt (2) and conical toothed washer (3) through cross channel and bracket (4). Loosely install conical toothed washer and locknut (5). Repeat for other bracket.
3. Recenter cross channel on trailer tongue and slide brackets tight against side of the tongue. Tighten 1/2" bolts to 75 lb.-ft.
4. Install 7/16" bolt (6) and flat washer through holes in brackets directly under tongue. Install flat washer (7) and locknut (8). Tighten 7/16" bolt to 32 lb.-ft.
DO NOT CRUSH FRAME.
5. Install lift units on adapter following the weight distributing hook-up procedure.