

INSTALLATION INSTRUCTIONS

REESE® Elite™ Series

PLASTIC BED LINER PUCK ADAPTOR

DEALER/INSTALLER:

- (1) Read all instructions before installation
- (2) Provide this Manual to end user.

END USER:

- (1) Save this Manual for future reference.
- (2) Pass on copies of Manual to any other user or owner of Hitch.

TOOLS NEEDED:

- 3 1/4" HOLE SAW
- DRILL
- 3/8" ALLEN SOCKET
- RATCHET
- TORQUE WRENCH

1. Cut 3-1/4" hole in bed liner at the 4 locations. (See rail kit installation instructions for locations)
2. Place spacer block ② in rail.
3. Attach trim ring on puck ①. (See Fig. 2)
4. Place puck ① into rail.
5. Place lock washer and bolt in to puck and torque to 110 ft-lbs.
6. Repeat steps 1 through 5 for the other 3 locations.

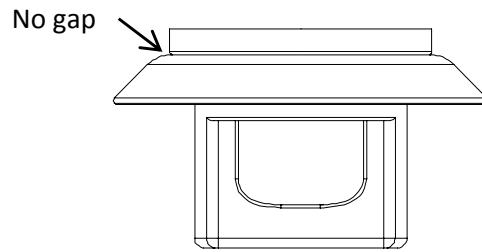


Fig. 2

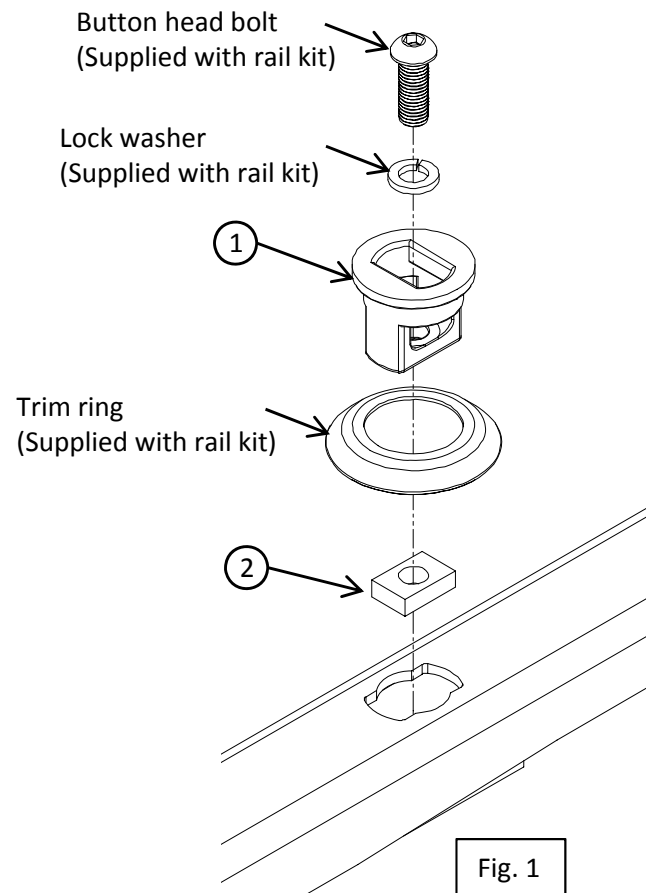


Fig. 1

ITEM NO.	PART DESC.	QTY.
1	PUCK	4
2	SPACER BLOCK	4