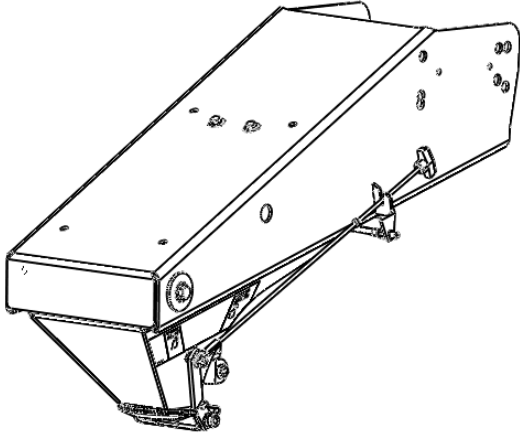




Installation Instructions

Goose Box Safety Chain Kit

Part Number:
49150



Equipment Required:

Fastener Kit: 49150F

Wrenches: 3/4"

Drill Bits: Not Required

Misc. : 3/4" Socket & Torque Wrench

DEALER/INSTALLER:

(1) Provide this Instructions to end user

END USER:

- (1) Read and follow these Instructions for the Reese Goose Box Safety Chain Kit Installation.
- (2) Save these Instructions for Future Reference.
- (3) Pass on copies of the Instructions to any other users or owner.

**Do Not Exceed Lower of Towing Vehicle Manufacturer's Rating,
Trailer Manufacturer's Rating or**

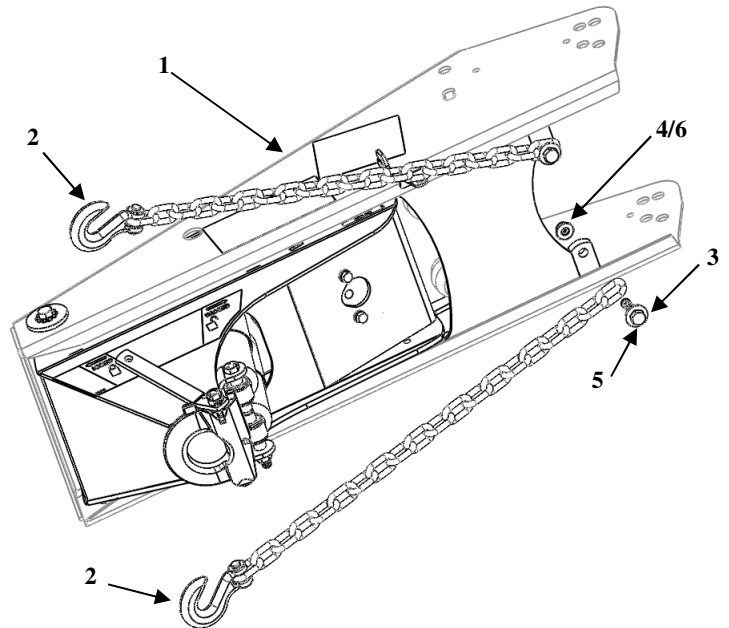
Max Gross Trailer WT (LB)	Max Pin WT (LB)
16,000 LB	3,200 LB

INDEX

1. Explosion, Parts Identified, Instructions P. 1
2. 5 Year Limited Warranty P. 2

1	Qty. 1	Goose Box (94621 or 94622)
2	Qty. 2	44" Chain w/Hook (123545)
3	Qty. 2	1/2" Washer Flat (01160008)
4	Qty. 2	1/2" Nuts (122399)
5	Qty. 2	1/2"-13x2.25 Bolts (01150009)
6	Qty. 2	1/2" Lockwasher (01129008)

Figure 1



Locate Safety Chain Mounting Lugs On The Underneath Rear Of Your Goose Box. As Shown In Figure 1. Put Flat Washer Onto Bolt, Next Put Bolt And Washer Through Last Link In Chain, Then Position Bolt, Washer, And Chain Assy' Through Hole In The Mounting Lug, Secure With The Nut And Lockwasher.

Tighten Bolt, Torque To 110 Ft. Lbs. Do The Same For Both Chains.