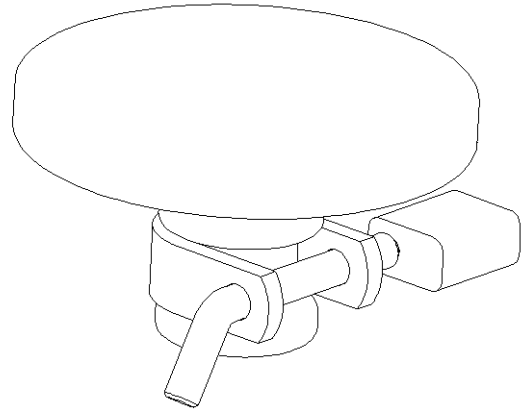


**FIG 1**



**FIG 2**

**Lock King Pin:**

- A- Place bracket on king pin as shown in FIG 1.
- B- Place pin through holes in bracket as shown in FIG 2.
- C- Secure pin with lock as shown in FIG 2.

**Place cover over 5th Wheel head aligning the appropriate hole with handle location, and secure with tie downs.**