

Installation Instructions

REESE® CUSTOM QUICK INSTALL MOUNTING KIT Part Number:

56017

FOR 30153 REESE®

FORD SUPER DUTY

WARNING: Under no circumstances do we recommend exceeding the towing vehicle manufacturers recommended vehicle towing capacity.

Equipment Required:

Fastener Kit: 56017F

Wrenches: 3/4", 15/16"

Drill Bits: 1/8", 9/16", 1-1/8"

Other Tools: Center Punch, Measuring Tape, Torque Wrench

****THIS RAIL MOUNTING KIT USES 11 BOLTS****

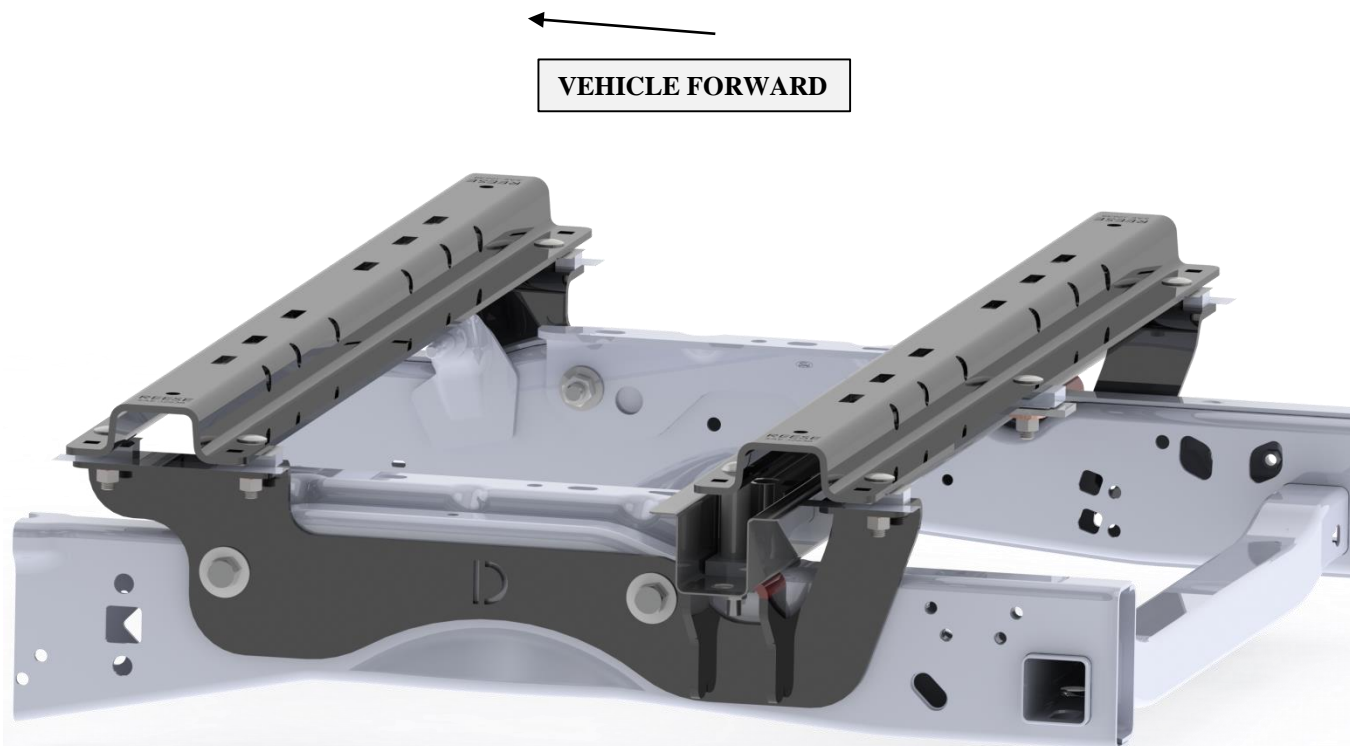


Figure 1

- Do not install mounting rails over plastic bed liners. Plastic bed liners must be cut out of the way to provide metal to metal contact. Mounting rails may be installed on spray in liners.
- Use only bolts, nuts, and washers supplied to install this kit. All bolts and nuts are Grade 8 unless otherwise specified.
- These instructions are guidelines only, actual installation is the responsibility of the installer and the owner. Always measure truck and trailer before installing hitch to be sure that there is clearance at the cab and at the bumper to allow for turns.
- Do not install this product on or attempt to tow with a truck with a 5-1/2' bed unless a sidewinder pin box coupler has been installed on the trailer.
- Warning: When drilling holes be aware of potential risks to vehicle components above & below the truck bed and make appropriate safe guards to protect them from damage.

IMPORTANT: Contact between any bare steel components (frame mounting brackets, U-shaped spacers, mounting rails, etc.) and bare aluminum bed may cause corrosion over it's life. Insure that the paint is not damaged on the brackets. This kit also includes galvanic isolators that provide an extra layer of protection- use galvanic isolator squares (11) or galvanic isolator strips (1),(10), & (12) on the surface that will make contact with the truck bed. See Figure 4, Figure 5, & Figure 6. Repaint any areas where holes were drilled through bed.

Installation Instructions

- 1.) Lower and remove spare tire if extra room is needed. If equipped with inner plastic wheel well liners, remove inner plastic wheel well liners to allow access to frame.
- 2.) Place the galvanic isolator strips (12) on the bottom surface of each rail to protect aluminum truck bed as shown.(See Figure 3)

Note: It is important that the galvanic isolator strips (12) are installed correctly to avoid corrosion between the mounting rails and truck bed over its life.

- 3.) Place the rear mounting rail in the box of the truck. Using your tape measure, center the rail between the weld seams on the length of the truck box floor or the wheel well and the proper distance from the rear edge of the truck. (See Figure 2)
- 4.) Mark and center punch the holes as per the illustrations. Move the rail out of the way and drill each position with a 1/8" drill bit. (See Figure 2) **ENSURE THE 1/8" HOLES DRILLED IN ROW 3 PASS THROUGH BOTH THE TRUCK BED AND THE TRUCK BED CROSSMEMBER**
- 5.) Install the galvanic isolator strips (11), (10) & (1), on the frame brackets (16) & (17) . (See Figure 3 & 7)
- 6.) Loosely install the frame brackets (16) & (17) using the appropriate hardware and hand tighten. (See Figure 3)
 - 1.) Place a 5/8" flat washer (8) over each of the 5/8-11 x 4-1/4" hex head bolts (6).
 - 2.) Position the frame brackets (16) & (17) over the frame mounting holes, and route the 5/8-11 x 4-1/4" hex bolt (6) through the frame bracket and vehicle frame from the outside of the frame to the inside of the frame as shown. (See Figure 3).
 - 3.) Install the 5/8 conical washer (9) and then the 5/8-11 nut (7) over the 5/8-11 x 4-1/4" hex head bolt (6) and hand tighten.
- 7.) Check that the 1/8" drilled holes from step 4 align with the slots of the frame bracket (16) & (17). If holes do not align, adjust the frame brackets as needed. If this does not align the holes, restart the installation at step 4. When the holes align with the rails and brackets, remove the rails and brackets and proceed to step 8.
- 8.) Enlarge all rail bolt holes to 9/16". **ENSURE THE BOLTS HOLES DRILLED IN ROW 3 GO THROUGH BOTH THE TRUCK BED AND THE TRUCK BED CROSSMEMBER.**
- 9.) Enlarge the holes in Row 3 in the TRUCK BED ONLY to 1-1/8". Paint all bare metal.

DO NOT ENLARGE THE HOLE IN THE TRUCK BED CROSSMEMBER TO 1-1/8"
- 10.) Place the tube spacers (18) and 1/2 x 1-1/2 x 2-1/4 spacer blocks (3) with galvanic isolator patches in place in the Row 3 bolt locations. (See Figure 6)
- 11.) Reposition the mounting rail over the holes.
- 12.) Install the rear rail attachment bolts as shown in figure (3). Ensure that the galvanic isolator patches (11) are installed on the U-shaped spacers and spacer blocks as shown. (See figures 4 & 5) Attach the 1/2" conical washers (14) and hex nuts (13) on the bottom side of the frame bracket (16) & (17) , as per figure 3, and tighten snug to keep the mounting rail from moving. For the bolts in row 3 (figures 2 & 6), which go through the truck bed cross member/sill/hat section, route the 1/2-13 x 5-1/2" Carriage bolt (2) through the rail and tube spacer (18) and 1/2 x 1-1/2 x 2-1/4 spacer (3), and secure using the 1/4 x 1-1/2 x 3 spacer (5), 1/2 conical washer (14), and 1/2-13 nut (13). For the center rail bolt in row 4 of rail attachment bolts, route a 1/2-13 x 2" Carriage Bolt (15) through the rail and bed, with a 1/2 x 1-1/2 x 2-1/4 spacer (3) between the rail and bed. Then secure using a 1/4 x 1-1/2 x 3 spacer (5), 1/2" conical washer (14) and 1/2-13 nut (13). **See Figure 6 for a detailed view of the bolts in row 3.**
- 13.) Place the unassembled 5th wheel legs/slider/goose into the already installed mounting rail. Position the second mounting rail with the legs/slider/goose by inserting the tabs into the mounting rail and pushing the mounting rail tight towards the other mounting rail. Ensure that the mounting rail is centered between the weld seams on the length of the truck box floor. This will position the mounting rail in the correct location and ensure that the 5th wheel will have a snug fit to the truck.

Note: If more than one hitch product will be used with the rails then both should be used at the same time to align the second rail. This will ensure that one product does not compromise the fit of the other.
- 14.) Mark and center-punch the holes in the front mounting rail as per figure 2. Move the front mounting rail and the frame mounting brackets out of the way, and drill with a 1/8" drill bit.
- 15.) Repeat steps 6, 7, and 11 for the front mounting rail.
- 16.) Install the front rail attachment bolts and spacers as shown in figure (3). Ensure that the galvanic isolator patches are installed on the U-shaped spacers and spacer blocks as shown. (See figures 5 & 6) Attach the 1/2" conical washers (14) and hex nuts (13) on the bottom side of the frame bracket (16 & 17) , as per the illustrations and tighten snug to keep the mounting rail from moving. For the center rail bolt in rows 1 of rail attachment bolts, route a 1/2-13 x 2" Carriage Bolt (15) through the rail and bed, then secure using a 1/4 x 1-1/2 x 3 spacer (5), 1/2 " conical washer (14) and 1/2-13 nut(13).
- 17.) Torque all hardware.

Note: Torque all 1/2" Gr. 8 hardware to 110 ft-lbs. Torque all 5/8" Gr. 8 hardware to 212 ft-lbs. First torque the bed mounting rails to the frame brackets and then torque the frame brackets to the truck frame.
- 18.) Replace inner plastic wheel well liner to body, and spare tire if removed.

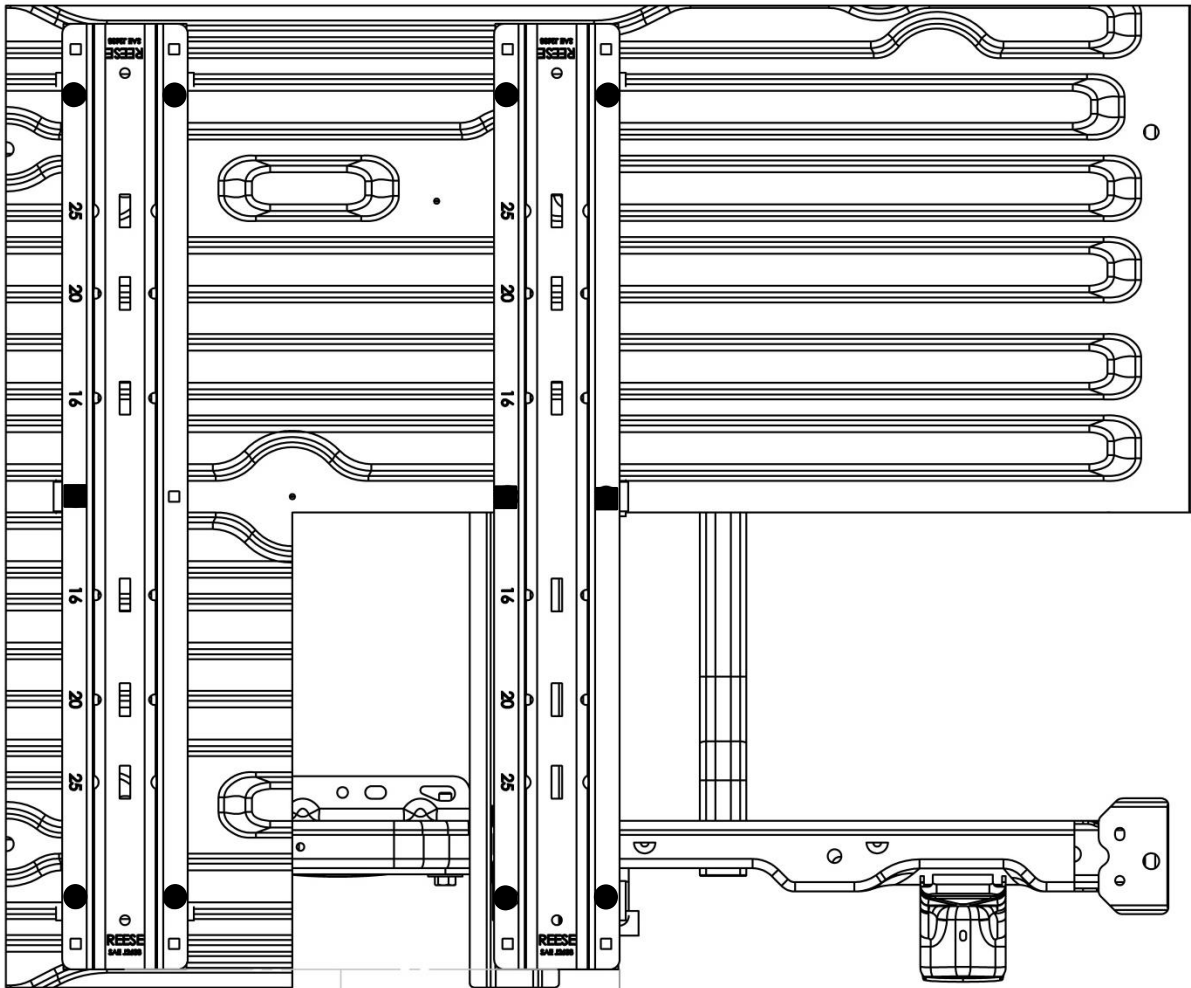
VEHICLE FORWARD

ROW 1

ROW 2

ROW 3

ROW 4

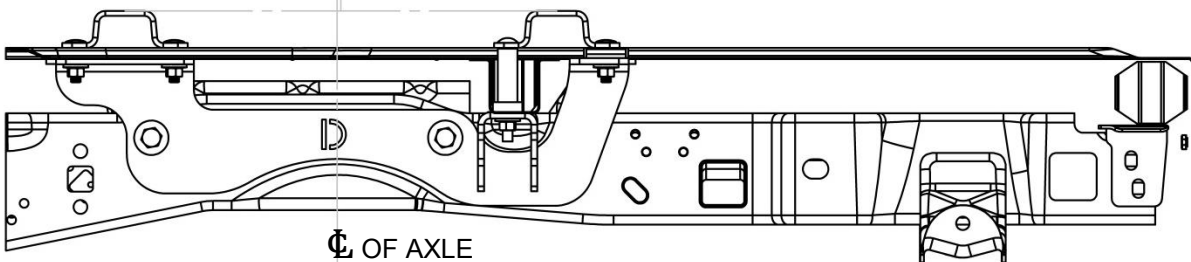


● THESE HOLES TO BE USED TO MOUNT RAILS TO SIDE BRACKETS

■ THESE HOLES TO BE USED TO MOUNT RAILS TO TRUCK BED

3/16" (Approx.)

REAR EDGE OF REAR RAIL 29-1/8" REAR EDGE OF TRUCK BED
(ALL BED LENGTHS)



VEHICLE FORWARD

Figure 2

ITEM #	DESCRIPTION	QTY	ITEM #	DESCRIPTION	QTY
1	1-1/4 X 8 GALVANIC ISOLATOR STRIP	2	10	1-1/4 X 4 GALVANIC ISOLATOR STRIP	2
2	1/2-13 x 5.50 GR.8 CARRIAGE BOLT	3	11	GALVANIC ISOLATOR PATCH	15
3	1/2 X 1-1/2 X 2-1/4 SPACER BLOCK	5	12	1-1/4 X 48 GALVANIC ISOLATOR STRIP	4
4	1/4 X 1 X 2 U-SHAPED SPACER	12	13**	(1/2-13 GR. 5 NUT)**	11**
5	1/4 X 1-1/2 X 3 SPACER BLOCK	3	14**	(1/2 CONICAL WASHER)**	11**
6	5/8-11 X 4-1/4 GR. 8 HEX HEAD BOLT	4	15*	(1/2-13 CARRIAGE BOLT)*	8*
7	5/8-11 GR. 8 NUT	4	16	DRIVER SIDE BRACKET	1
8	5/8 FLAT WASHER	4	17	PASSENGER SIDE BRACKET	1
9	5/8 CONICAL WASHER	4	18	TUBE SPACER	3

*Fasteners are supplied with 30153 rail kit.

** 10 PCS are supplied with 30153 rail kit

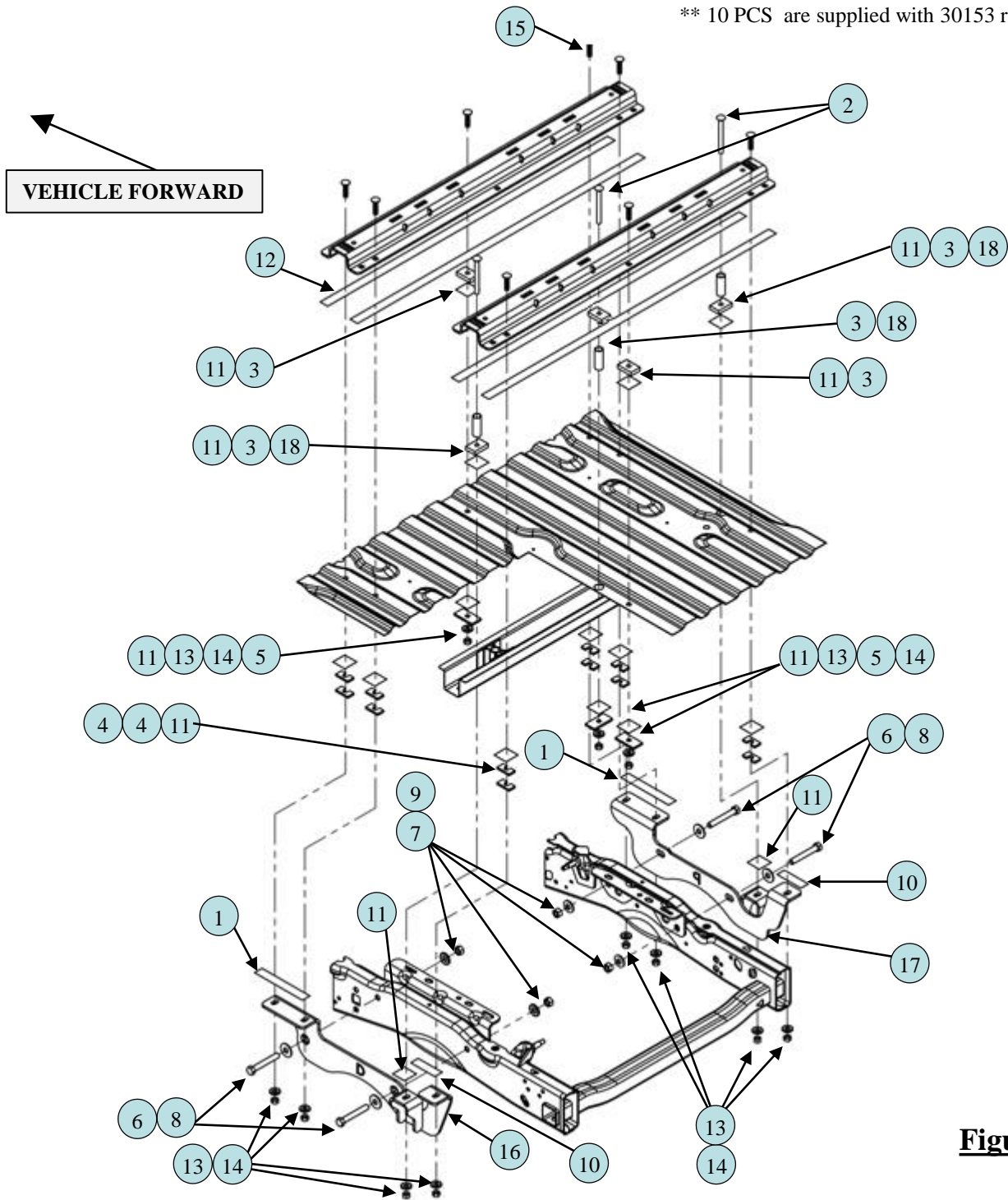


Figure 3

Figure 4 – Isolator Strip on U-Shaped Spacer

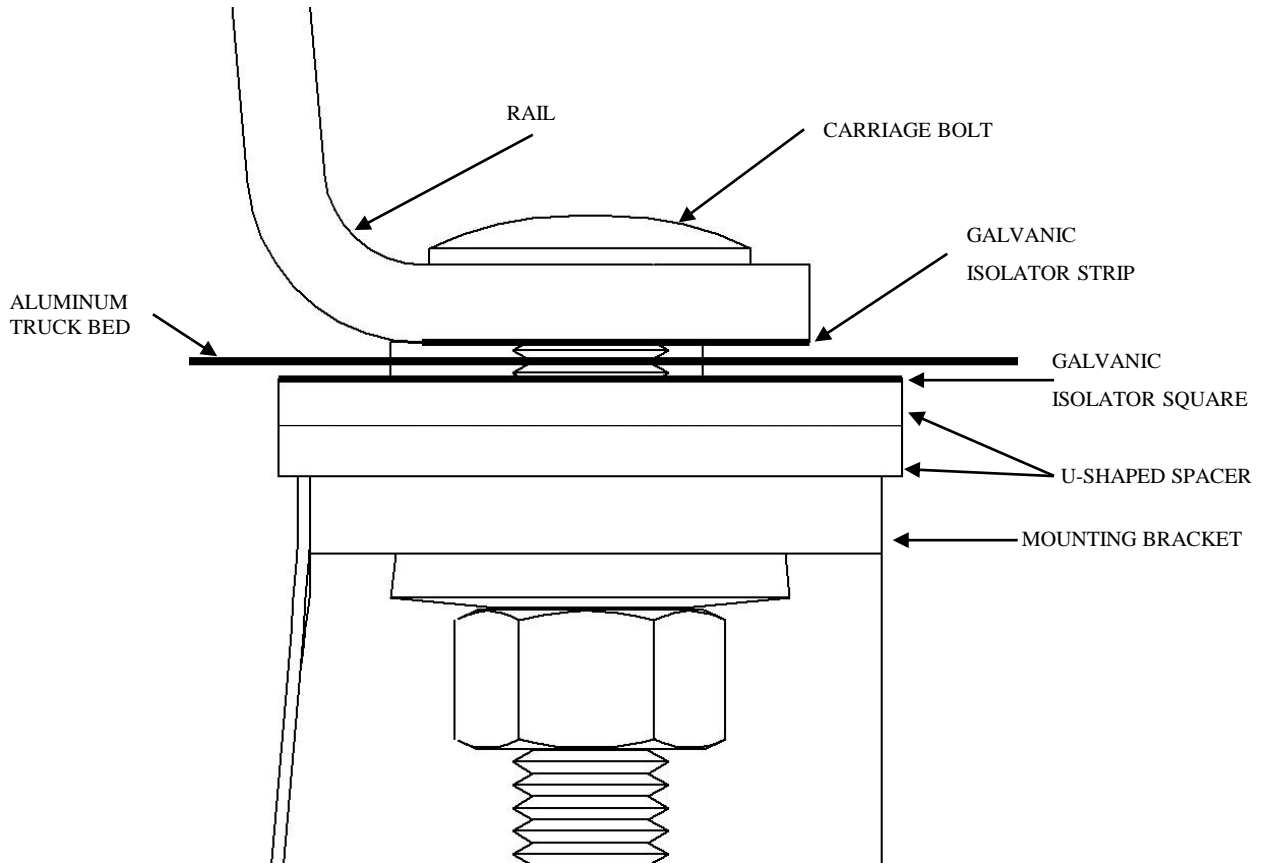
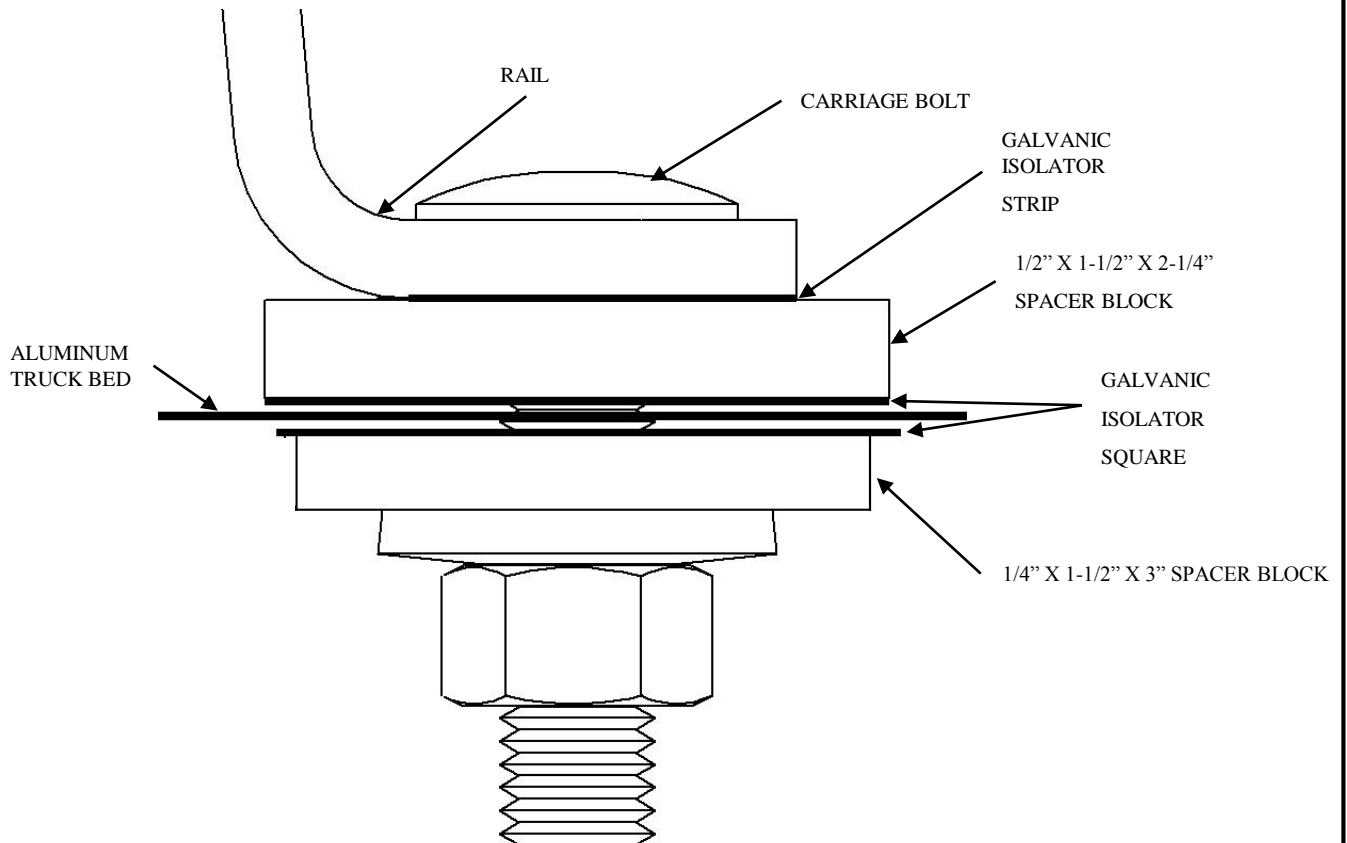


Figure 5 – Isolator Strips on Center Rail Bolt Spacers for Rows 1 & 4



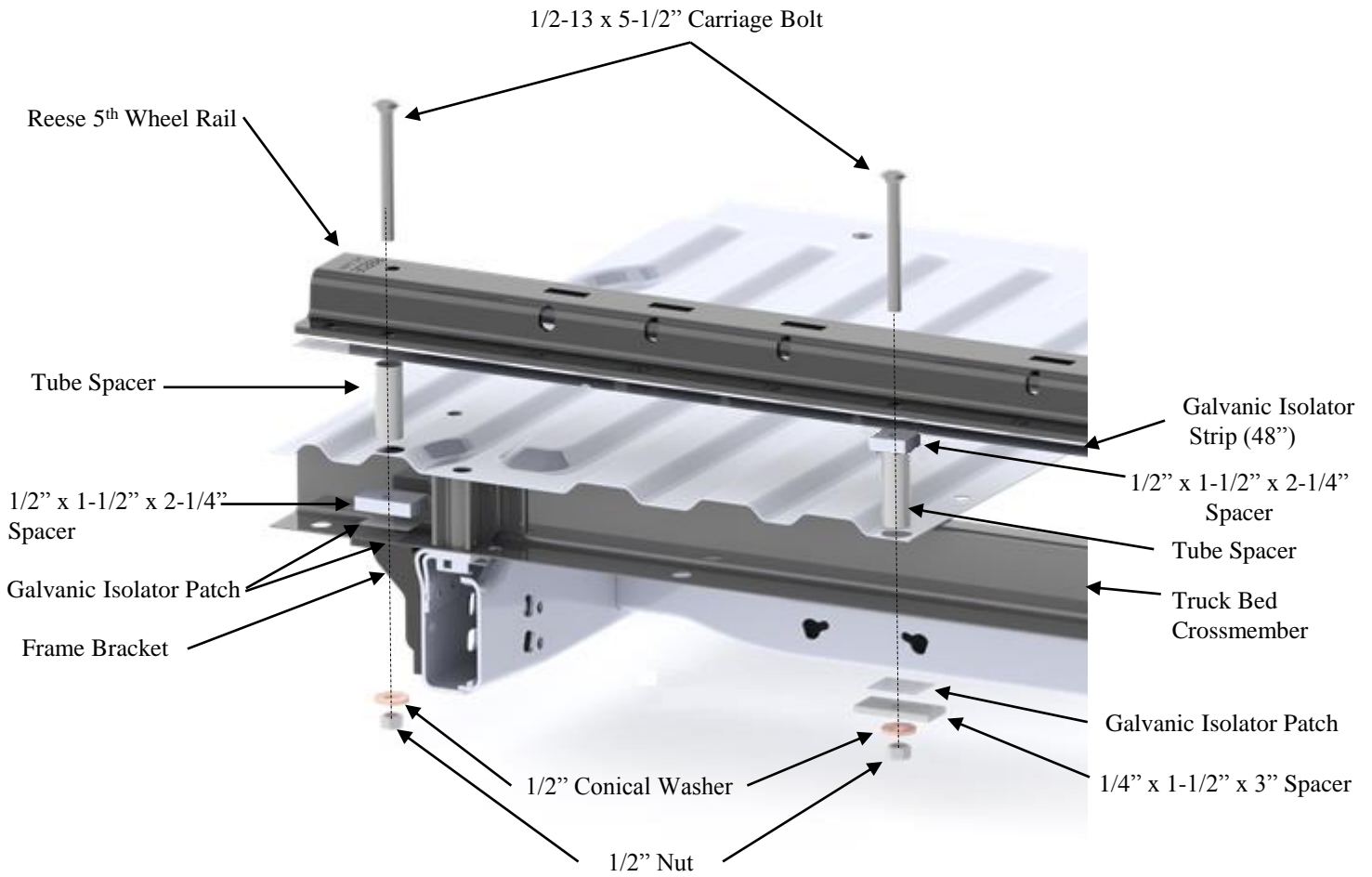
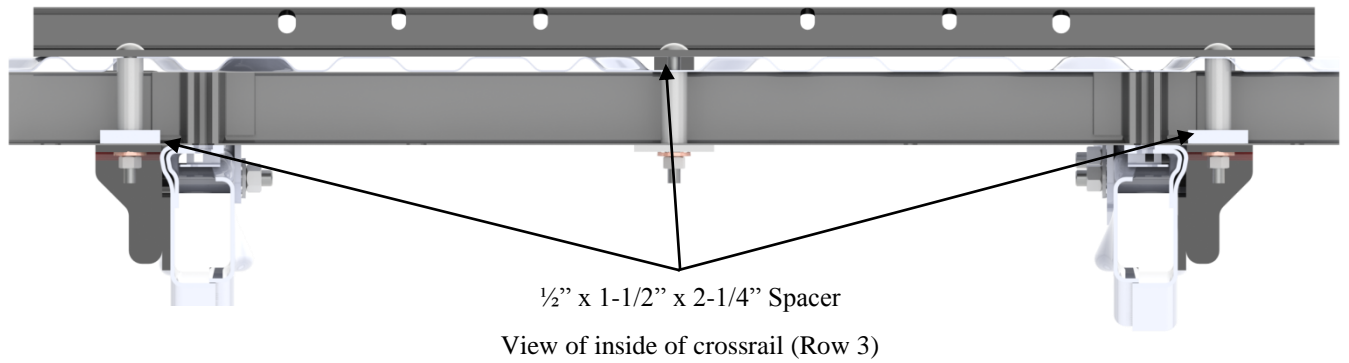
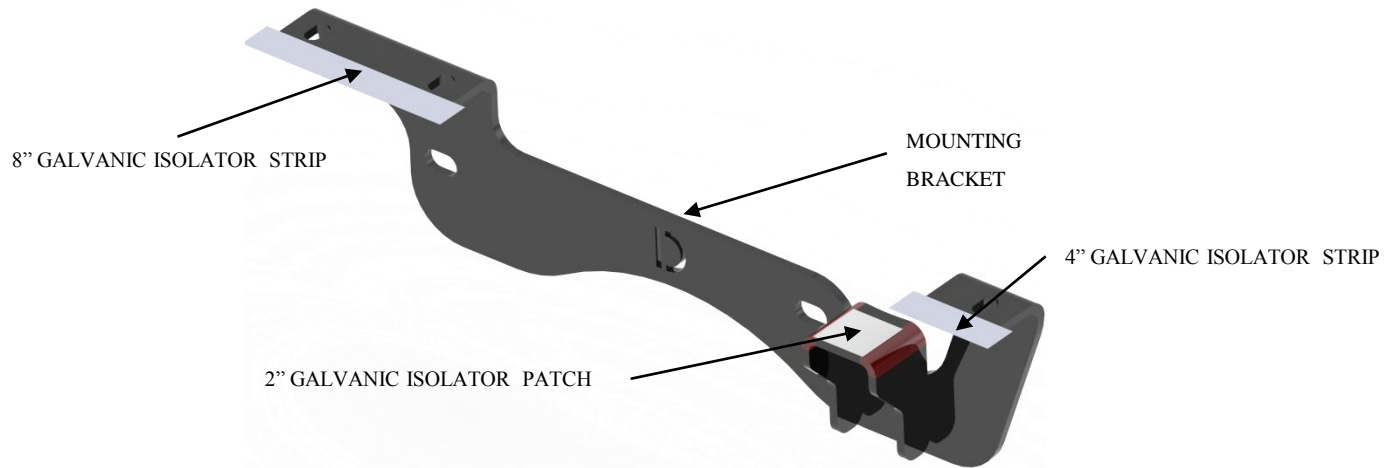


Figure 6 – Row 3 Rail Bolt Detail View

View of inside of crossrail (Row 3)

Figure 7 – Isolator Strips on Mounting Brackets



Note: Place galvanic isolator strips on the ends of the bent tabs on the mounting bracket that come into contact with the truck bed. Place them on the end of the bent tabs and folded around the end of the tab, ensuring that at least 3/4" of isolator strip is on the top side of the bracket.

Owner Responsibilities

- Refer to mounting bracket rating label for correct towing capacity.
- Check mounting system bolt tightness once per year.
- Save warranty sheet and receipt for any future support.