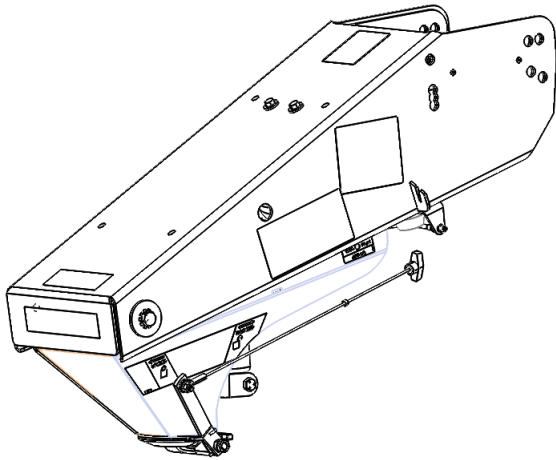


# Installation Instructions

## Goose Box Safety Chain Kit 20K

Part Number:  
49151



### Equipment Required:

**Fastener Kit:** 49151F

**Wrenches:** 13/16"

**Drill Bits:** Not Required

**Misc. :** 13/16" Socket & Torque Wrench

### DEALER/INSTALLER:

(1) Provide this Instructions to end user

### END USER:

- (1) Read and follow these Instructions for the Reese Goose Box Safety Chain Kit Installation.
- (2) Save these Instructions for Future Reference.
- (3) Pass on copies of the Instructions to any other users or owner.

**Do Not Exceed Lower of Towing Vehicle Manufacturer's Rating,  
Trailer Manufacturer's Rating or**

Max Gross Trailer WT (LB)	Max Pin WT (LB)
<b>20,000 LB</b>	<b>4,000 LB</b>

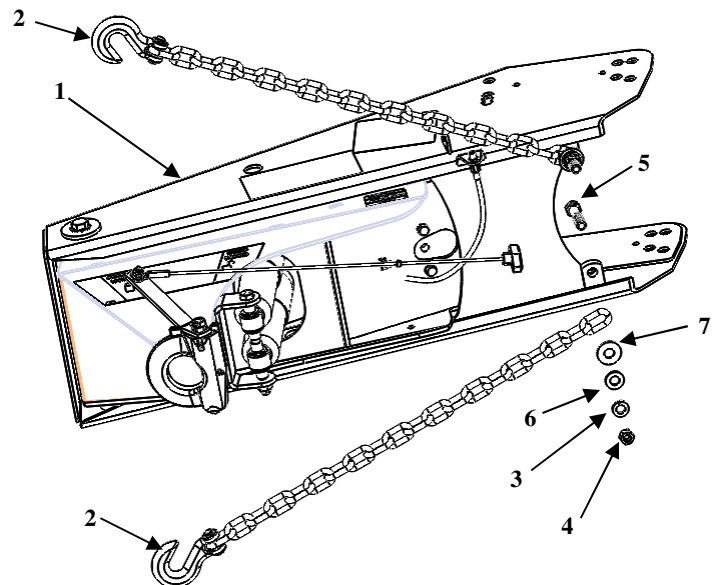
### INDEX

1. Explosion, Parts Identified, Instructions P. 1
2. 5 Year Limited Warranty P. 2

1	Qty. 1	Goose Box (94623) *Not Provided
2	Qty. 2	44" Chain w/Hook (125777)
3	Qty. 2	9/16 Split Lock Washer (01129009)
4	Qty. 2	9/16-12 Nut Grd.8 (126244)
5	Qty. 2	9/16-12x2.5 Grd.8 Bolt (125775)
6	Qty. 2	9/16 HS Flat Washer (5213) *Small
7	Qty. 2	9/16 Flat Washer (01160009) *Large

Locate Safety Chain Mounting Lugs On The Underneath Rear Of Your Goose Box. As Shown In Figure 1. Install Bolt Through Lug As Shown, Then Install Last Link of Chain Over Bolt, Then Position Flat Washer, HS Flat Washer, Split Lock washer, And Nut As Shown. Tighten Bolt, Torque To 110 Ft. Lbs. Do The Same For Both Chains.

**Figure 1**



### **WARNING**

**Failure to follow all of these instructions may result in death or serious injury!**