



These Instruction Sheets contain IMPORTANT safety information. Please read and keep for future reference.

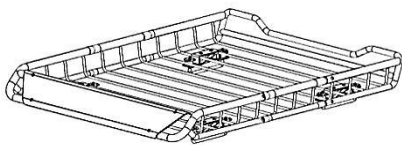
Installation Instructions

Before Using Your Car Top Carrier

The user must read and understand these Instruction Sheets and the Warranty.

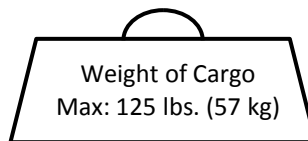
Installation is the end user's responsibility and beyond Cequent Consumer Products control. Therefore, Cequent Consumer Products exclusively limits its Warranty to the repair or replacement of a defective product. Damage to your vehicle, your cargo or any person or property is excluded.

- ⚠️ Your Rooftop Basket must be inspected for signs of wear, corrosion and fatigue before each use.
- ⚠️ Make sure your Rooftop Basket is secure before every trip. Check at each stop to ensure your Rooftop Basket is secure.
- ⚠️ Remove your Rooftop Basket when not in use and before entering automatic car washes.
- ⚠️ ALWAYS obey all posted speed limits and be aware of traffic conditions. Adapt your speed to the conditions of the road and the load being carried.
- ⚠️ Check local and state laws governing projection of objects beyond the perimeter of a vehicle. Be aware of the width and height of your cargo since low clearance branches, bridges, and parking garages can affect the load.
- ⚠️ Do not use your Rooftop Basket for purposes other than those for which it was designed. Do not exceed your vehicle's rated roof capacity, the capacity of your the Cross Bars, or 125 lb. (57 kg) capacity of the Rooftop Basket. Consult the owner's manual for your vehicle.



Basket Weight: 25 lbs. (11 kg)

+



=

Maximum Load Limit
150 lbs. (68 kg)

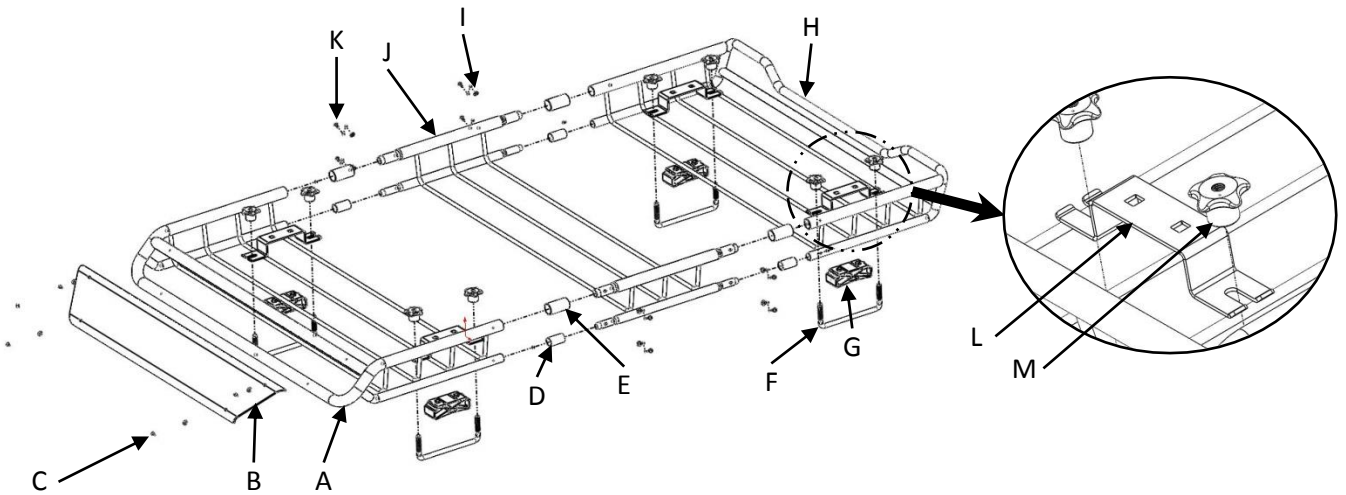
- ⚠️ Your Rooftop Basket will not prevent property damage that may result from improper loading, securing, or driving.
- ⚠️ Do not attempt to drill, weld, or modify your Rooftop Basket or any of the system components.

Review all Warnings, Instructions, and Warranty information carefully. Failure to follow these warnings and instructions will void the Warranty.



Parts List

Part	Description	Quantity
A	Front Section of Rooftop Basket	1
B	Air Deflector	1
C	Screw, No. 8 x 3/8", self tapping	4
D	Seam Gasket, Small	4
E	Seam Gasket, Large	4
F	U-Bolt	4
G	Spacer Block	4
H	Rear Section of Rooftop Basket	1
I	Rubber Washer	12
J	Middle Section of Rooftop Basket	1
K	Screw, 10-16 thread x 3/8", thread forming	8
L	Mounting Bracket	4
M	Plastic Hand Knob	8



Installation Instructions

⚠ WARNING If your vehicle does not have Cross Bars, DO NOT attempt to install Rooftop Basket.

Tools required for assembly: Phillips Head Screwdriver, Tape Measure, and Rubber Safe Lubricant

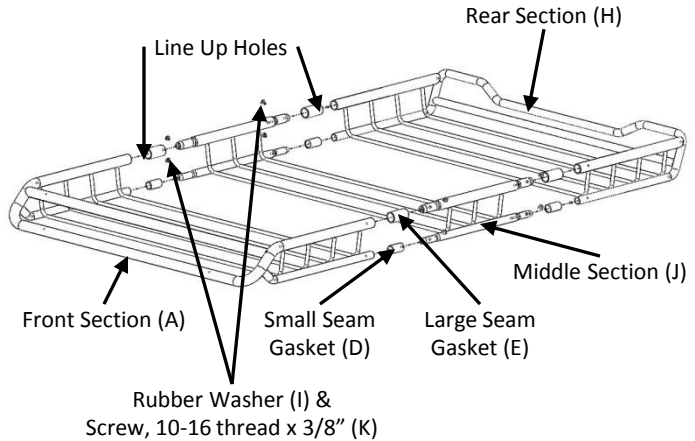
Step 1: Remove all parts from box and make sure all parts out of the box are undamaged

Step 2: Assemble Rooftop Basket

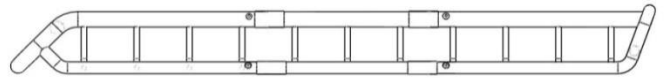
- Place the front, middle, and rear Rooftop Basket sections on a flat non-marring surface.
- Apply a small amount of Rubber Safe Lubricant inside each of the Small and Large Seam Gaskets.
- Slide the Seam Gaskets about 1" on the ends of the front and the rear sections.
- Use 8 Rubber Washers (I) and 8 Screws, 10-16 thread x 3/8" (K) to join the three sections together.

NOTE: Do not fully tighten screws until you have inserted all 8 screws.

- Fully tighten all 8 screws.



The assembled Rooftop Basket should look like this:



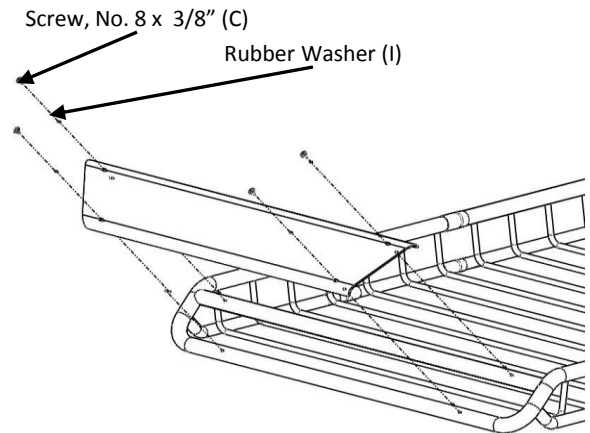
Step 3: Attach Air Deflector

- Line up holes in Air Deflector (B) with the four holes on the front of the Rooftop Basket.

NOTE: Do not remove foam pieces on the back of the Air Deflector.

- Use 8 Rubber Washers (I) and 8 Screws, No. 8 x 3/8" (C). Tighten screws until the rubber washers start to compress

NOTE: Over tightening of screws could cause the Air Deflector to crack.

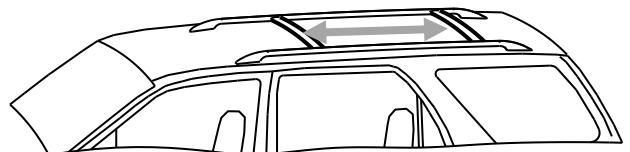


Step 4: Reposition Cross Bars (if adjustable)

- Loosen the Cross Bars on your vehicle. The distance between the Cross Bars should be a maximum of 32-3/10" (820mm) from center to center.

NOTE: Maximize the distance between the Cross Bars for optimum load distribution.

Distance Between Cross Bars
Minimum: 25-1/8" (638mm)
Maximum: 32-3/10" (820mm)

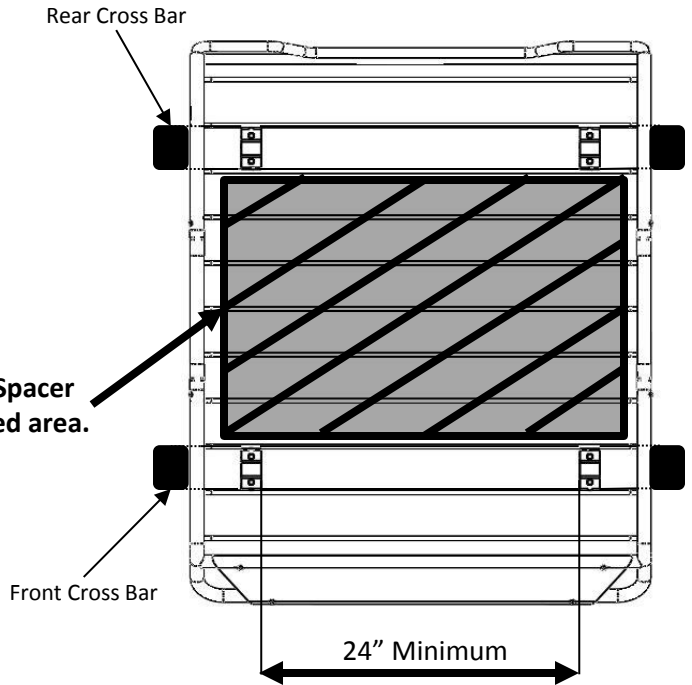


- B. Allow the Cross Bars to remain loose, so you can adjust as needed when installing the Rooftop Basket. You will tighten the Cross Bars during Step 8: Check Installation.

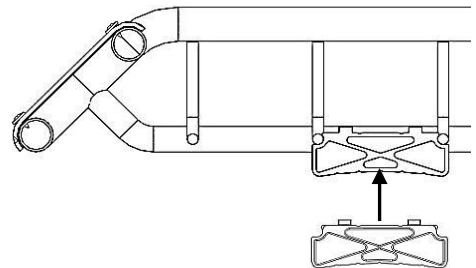
Step 5: Insert Spacer Blocks

- A. Insert Spacer Blocks into the Rooftop Basket and position as wide as possible for your vehicle.
- B. Spacer Blocks must be a **minimum of 24"** apart and should be inset an equal distance from both the driver and passenger sides of the Rooftop Basket.

⚠ Do not attach Spacer Blocks in shaded area.



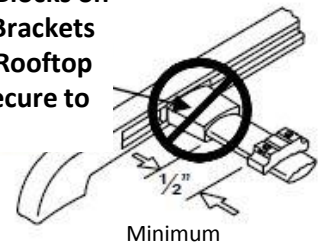
- C. Snap the Spacer Blocks up into the cross rods of the Rooftop Basket.



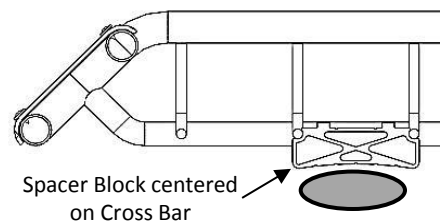
Step 6: Position Basket Onto Vehicle Cross Bars

- A. Center Rooftop Basket on your vehicle's Cross Bars. The Spacer Blocks must sit on the top of the Cross Bars and be a **minimum of 1/2"** from the Cross Bar Brackets.

⚠ Do not place Spacer Blocks on Cross Bar Brackets. Brackets may be damaged or Rooftop Basket may not be secure to your vehicle.

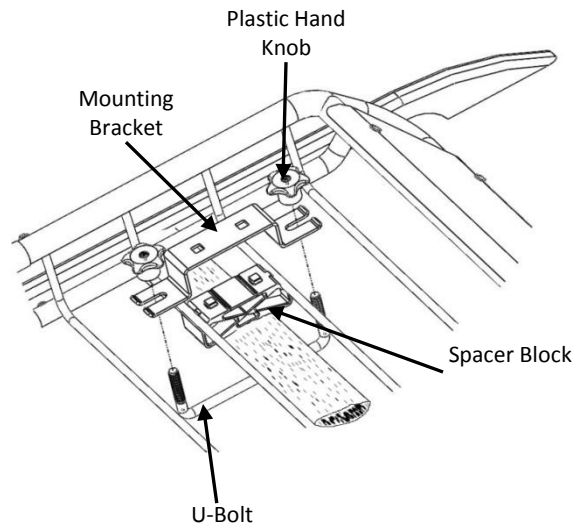


- B. Adjust Cross Bars if needed to center the Spacer Blocks on the Cross Bars.

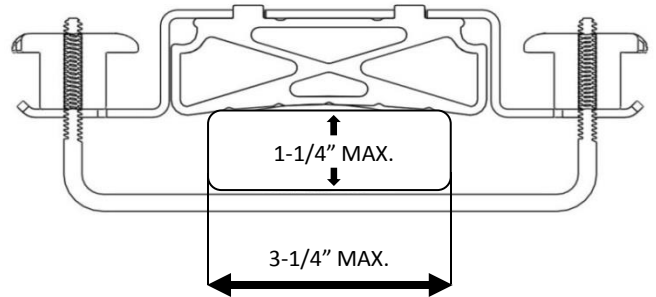


Step 7: Attach Mounting Brackets

- A. Place a Mounting Bracket on each Spacer Block. Line up square holes in the Mounting Brackets with the two squares on top the Spacer Blocks.
- B. U-bolts must go around the Cross Bars and into the slots on the Mounting Brackets.
- C. Install Plastic Hand Knobs onto each the U-bolts and evenly tighten to secure the Cargo Basket to the Cross Bars.



⚠ WARNING Each Plastic Hand Knob must span a minimum of $\frac{1}{2}$ " of thread on each U-bolt. Personal injury or property damage may result if the Rooftop Basket becomes loose and falls from the vehicle.



Step 8: Check Installation

- A. Check clearance between Rooftop Basket and your vehicle's tailgate or hatch and between Rooftop Basket and your sunroof (if equipped).

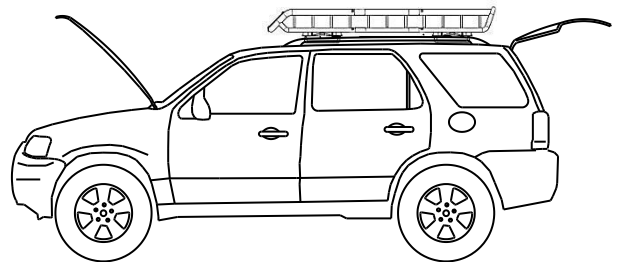
⚠ Interference may be unavoidable. Use care to prevent damage to your vehicle.

- B. With vehicle Cross Bars loose, adjust position of Rooftop Basket to clear the hatch.
- C. Tighten your vehicle's Cross Bars.
- D. Check installation is secure by pulling basket side to side and front to back.

NOTE: Rooftop Basket should not move when it is secure to your vehicle.

- E. If Rooftop Basket moves during your inspection, check your Cross Bars are secure and all Plastic Hand Knobs are tight. Re-check the installation again by pulling basket side to side and front to back.

⚠ If your Rooftop Basket is not secure, DO NOT use your Rooftop Basket. Remember cargo can shift or the Cross Bars or your Rooftop Basket can loosen during travel. Readjust as needed. If movement continues, stop use.



Before Driving

⚠️ WARNING

To Prevent Serious Injury or Death:

- **INSPECT** for signs of wear, corrosion, and fatigue **BEFORE** each use. **DO NOT** use if bent or deformed.
- **DO NOT EXCEED** your vehicle's rated roof capacity, the capacity of your the cross bars, or 125 lb. (57 kg) capacity of the Rooftop Basket. Consult the owner's manual for your vehicle.
- **DO NOT** use cross bars to transport people, animals, or flammable liquids.

Check local and state laws governing projection of objects beyond the perimeter of a vehicle. Be aware of the width and height of your cargo since low clearance branches, bridges, and parking garages can affect the load.

1. Lift the cargo onto the Rooftop Basket. Place heavy, large objects in first and evenly distribute the weight over the area of the Rooftop Basket. This may require a partner to help you. Continue loading lighter items on the top, creating a compact load.
2. Secure the cargo to the Rooftop Basket. Make sure all bolts, straps, knobs and locks are firmly attached and locked before every trip.

⚠️ NEVER use elastic straps or belts to secure cargo.

⚠️ Tie down LONG LOADS to the front and rear to the bumpers or tow hooks of the vehicle.

3. **CHECK BOTH THE CARGO AND THE ROOFTOP BASKET ARE SECURE.**

⚠️ If your Rooftop Basket is not secure, DO NOT use your Rooftop Basket. Remember cargo can shift or the Cross Bars or your Rooftop Basket can loosen during travel. Readjust as needed. If movement continues, stop use.

While Driving

⚠️ WARNING

To Prevent Serious Injury, Death and Property Damage:

- **REDUCE YOUR SPEED.** Your vehicle can handle differently when transporting cargo on the roof.
- **ALWAYS** obey all posted speed limits and be aware of traffic conditions.
- **FREQUENTLY** check your Rooftop Basket and the cargo is secure. Cargo can shift or your Rooftop Basket can loosen during travel. Readjust as needed. If movement continues, stop use.
- **ALWAYS** use caution when opening sunroof, tailgate or hatch when using your Rooftop Basket to transport cargo to prevent damage to vehicle.

After Driving

⚠️WARNING

To Prevent Serious Injury and Property Damage:

- **ALWAYS** unload all objects before removing your Rooftop Basket from roof.
- **ALWAYS** remove your Rooftop Basket when not in use.

Removing your Rooftop Basket when not in use may also reduce fuel consumption.

THIS WARNING IS GIVEN IN COMPLIANCE WITH CALIFORNIA PROPOSITION 65

WARNING: This product contains chemicals known to the state of California to cause cancer, birth defects or other reproductive harm.

The proper attachment of this product in accordance with the enclosed instructions is critical to its proper performance. Cequent Consumer Products, Inc. has no control over, or responsibility for, the attachment or the installation. Cequent Consumer Products, Inc. is NOT responsible nor will be held liable for any damage resulting from its attachment or improper use. Cequent Consumer Products, Inc. shall not be liable for any claims of any kind greater than the purchase price of the product.