

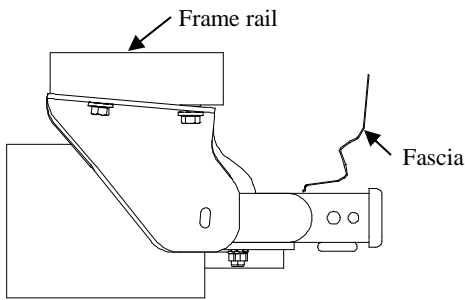
Installation Instructions

Part Numbers:

Honda CR-V

51209

97209



Hitch Shown In Proper Position

Equipment Required: Tape, Utility Knife, Tape Measure & Marking Pencil, Lubricant or Soapy water

Fastener Kit: 51209F

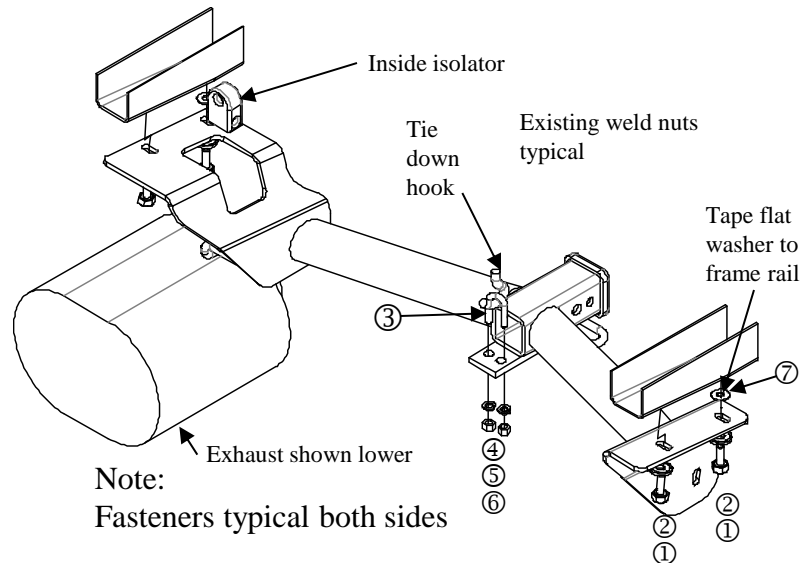
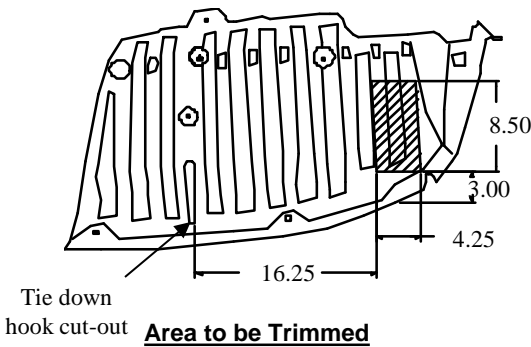
Wrenches: 10mm, 17mm, 11/16, Small Phillips head Screwdriver,

Do Not Exceed Lower of Towing Vehicle Manufacturer's Rating or

| Hitch type | Max Gross Trailer WT (LB) | Max Tongue WT (LB) |
|----------------------------|-------------------------------------|---------------------|
| Weight Distributing | Not For Use With Spring Bars | |
| Weight Carrying Ball Mount | 3500 (1589 Kg) | 350 (159 Kg) |

Wiring Access Location: SUV3

Appearance panel



Note:
Fasteners typical both sides

| | | | | | |
|---|----------|----------------------------|---|----------|------------------|
| ① | Qty. (4) | Hex Bolt M10X1.25X30 CL8.8 | ⑤ | Qty. (2) | Lock Washer |
| ② | Qty. (4) | Conical Washers | ⑥ | Qty. (2) | 3/8 Hex Nut |
| ③ | Qty. (1) | 3/8-16 U-Bolt | ⑦ | Qty. (2) | Flat washer 1/2" |
| ④ | Qty. (2) | Flat Washer 3/8" | | | |

- Remove the appearance panel on driver's side, remove 5-plastic rivets, 3-hex nuts, 2 Phillips head screws located in wheel well behind the driver's side rear tire. This panel needs to be trimmed and reinstalled on vehicle.
- Run the (item 1) into existing weld nuts to clear the threads.
- Reinstall appearance panel if trimmed.
- Lower exhaust by removing rubber isolators from muffler hangers. Remove the outside isolator first then the inside isolator. Spraying a lubricant or soapy water on the metal hanger rod and the rubber isolator helps removal.
- Tape (item 7) flat washer to rearward weld nut location on both frame rails.
- Raise hitch into position.
- Install M10 fasteners as shown.
- Install the 3/8 U-Bolt through the vehicle tie down hook and through the tie down hook attachment of the receiver. Install flat washer, lock washers and 3/8 hex nuts as shown above.
- Tighten all fasteners to the required torque specification.
- Raise exhaust back into position and re-install rubber isolators.

Tighten all 3/8-16 GR5 fasteners with torque wrench to 30 Lb.-Ft. (41 N*M)
Tighten all M10 CL8.8 fasteners with torque wrench to 38 Lb.-Ft. (52 N*M)

Note: check hitch frequently, making sure all fasteners and ball are properly tightened. If hitch is removed, plug all holes in trunk pan or other body panels to prevent entry of water and exhaust fumes. A hitch or ball which has been damaged should be removed and replaced. Observe safety precautions when working beneath a vehicle and wear eye protection. Do not cut access or attachment holes with a torch.

This product complies with safety specifications and requirements for connecting devices and towing systems of the state of New York, V.E.S.C. Regulation V-5 and SAE J684.