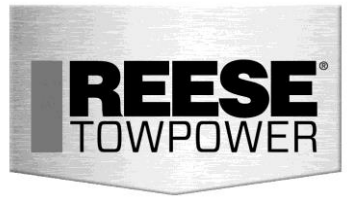


**READ THIS FIRST:**

Read and follow all instructions carefully before beginning installation.

# Installation Instructions

For P/N 85515XX



## 7-Way Blade Car Socket Instructions



Fig.1

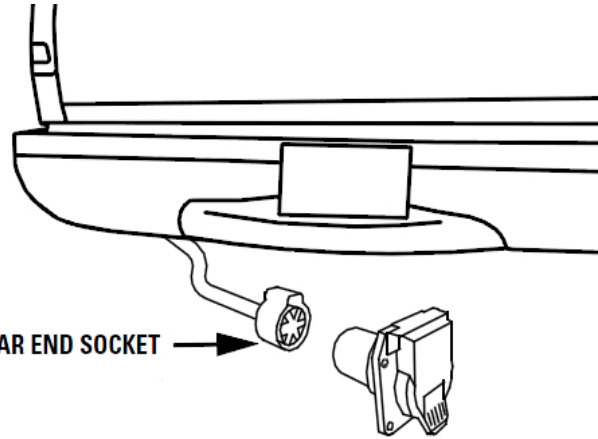


Fig.2

**TOOLS REQUIRED:**

n/a

**REPLACEMENT SOCKET INSTRUCTIONS:**

1. Remove the old 7-way Blade factory socket by twisting and pulling it away from the mounting bracket.
2. Disconnect the factory harness from the Socket
3. Install the Replacement 7-way Blade Socket (connector) on to the mounting bracket by aligning the notches and sliding it into position and rotating until it securely locks in place.
4. Plug the OEM factory equipped car end socket harness as shown on Fig.2, into the 7-way Blade Car Socket.

### **⚠ WARNING**

- All connections must be complete to function properly. Test and verify installation with a test light, circuit tester or trailer once installed.
- Overloading circuit can cause fires.  
DO NOT exceed lower of towing manufacturer rating or:
- Max. Right Turn, Stop and Tail Light Circuits: (7.5 amps).  
Read vehicle's owner's manual and instruction sheet for additional information. Additional fusing may be required.