



Installation Instructions

PART NUMBERS: 76138, 84138, CQT76138

! WARNING

To prevent **SERIOUS INJURY, DEATH or PROPERTY DAMAGE:**

- **ALWAYS read, understand and follow warnings and instructions for your hitch BEFORE installation. Keep for future reference.**
- **DO NOT cut, weld or modify this receiver.**
- **CHECK all fasteners are tight and your hitch is securely mounted to your vehicle periodically.**
- **ALWAYS read, understand and follow all warnings and instructions for your vehicle and for other accessories you will use with your hitch BEFORE use.**
- **LOAD the trailer heavier in front.**
- **DO NOT exceed lower of towing vehicle manufacturer’s rating or:**

Hitch Type	Max Gross Trailer Weight	Max Tongue Weight
Weight Carrying	4500 lb. (2043 kg)	675 lb. (306 kg)
Weight Distributing	DO NOT USE WITH	SPRING BARS

- **ALWAYS wear your seatbelt.**
- **SLOW DOWN when towing, NEVER exceed any posted speed limit.**
- **If EXCESS SWAY occurs, take your foot off the gas pedal and hold the steering wheel as steady as possible. DO NOT apply your brakes and DO NOT speed up.**

LIMITED LIFETIME WARRANTY

1. **Limited Lifetime Warranty (“Warranty”).** Cequent Performance Products, Inc. (“We”, “Us” or “Our”) warrants to the original consumer purchaser only (“You” or “Your”) that the product will be free from material defects in both material and workmanship, ordinary wear and tear excepted. The Warranty is valid only if (a) the products are returned to Us for inspection and testing; (b) Our inspection discloses to Our satisfaction that any alleged nonconformance are material and have not been caused by misuse, neglect, wear and tear, improper installation, unsuitable storage, improper repair, alteration, or accident; and (c) the products were installed, maintained and used in accordance with Our instructions. THE WARRANTY IS MADE IN LIEU OF ALL OTHER WARRANTIES, EXPRESS OR IMPLIED (OTHER THAN THE WARRANTY OF TITLE AS PROVIDED BY THE UNIFORM COMMERCIAL CODE IN EFFECT IN MICHIGAN), INCLUDING WITHOUT LIMITATION, ANY WARRANTIES OF MERCHANTABILITY OR FITNESS FOR A PARTICULAR PURPOSE, SAID WARRANTIES BEING EXPRESSLY DISCLAIMED.
2. **Obligations of Purchaser.** Any returned product that is replaced by Us becomes our property. You may be responsible for return shipping costs. Please retain your purchase receipt to verify date of purchase and that You are the original consumer purchaser. The product and the purchase receipt must be provided to Us in order to process Your Warranty claim.
3. **Exclusive Remedy.** Product replacement is Your sole and exclusive remedy under this Warranty. We shall not be liable for service or labor charges incurred in removing or replacing a product. IN NO EVENT WILL WE BE RESPONSIBLE FOR ANY INDIRECT, SPECIAL, CONSEQUENTIAL OR PUNITIVE DAMAGES.
4. **Assumption of Risk.** You acknowledge and agree that any use of the product for any purpose other than the specified use(s) stated in the product instructions is at Your own risk.
5. **Governing Law.** This Warranty gives You specific legal rights, and You also may have other rights which vary from state to state. This Warranty is governed by the laws of the State of Michigan, without regard to rules pertaining to conflicts of law. The state courts located in Oakland County, Michigan shall have exclusive jurisdiction for any disputes relating to this Warranty.



Installation Instructions

PART NUMBERS: 76138, 84138, CQT76138

Applications:

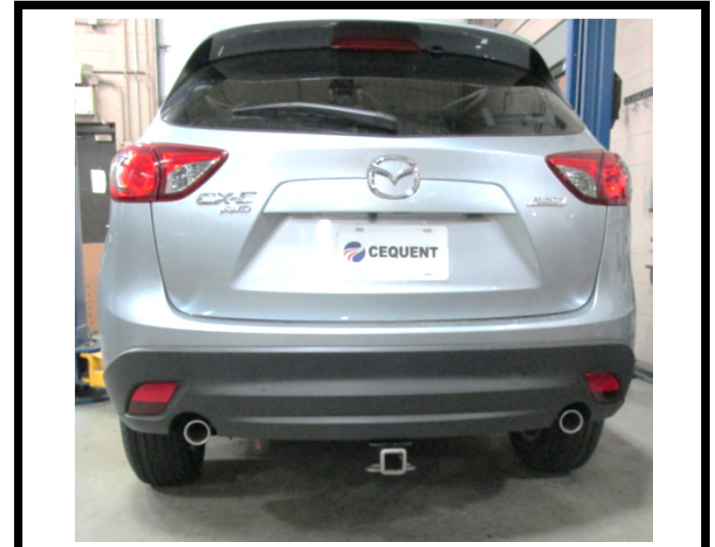
Years	Make	Models
-------	------	--------

2013-Current*	Mazda	CX-5
---------------	-------	------

*Visit our website for the most up to date information regarding application years and trim levels.

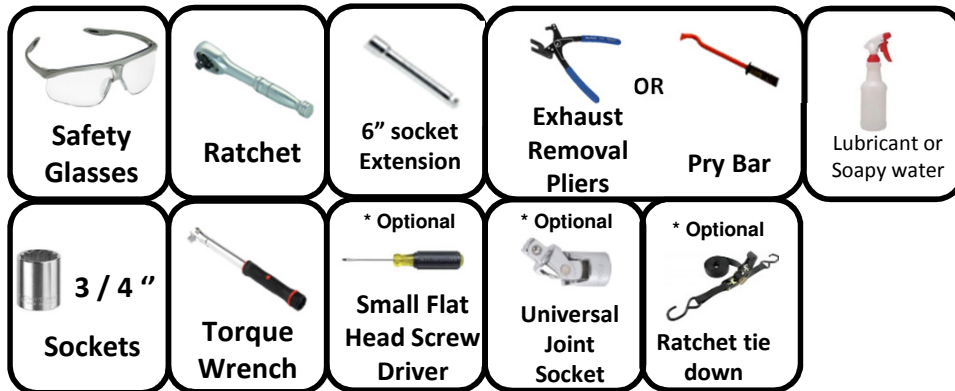
Installation Time: **20 Min.**

The time listed above is the average time for professional installers. If you do not feel comfortable performing this installation on your own or are in need of assistance, please contact a professional installer.



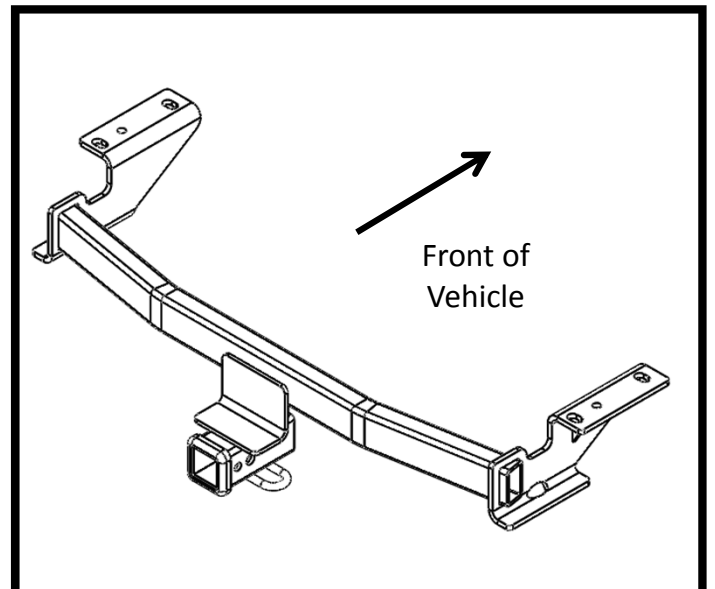
Representative Vehicle Photo

Equipment Required:



DO NOT EXCEED LOWER OF TOWING VEHICLE MANUFACTURER'S RATING OR:

Hitch Type	Max Gross Trailer Weight	Max Tongue Weight
Weight Carrying	4500 lb. (2043 kg)	675 lb. (306 kg)
Weight Distributing	DO NOT USE WITH	SPRING BARS








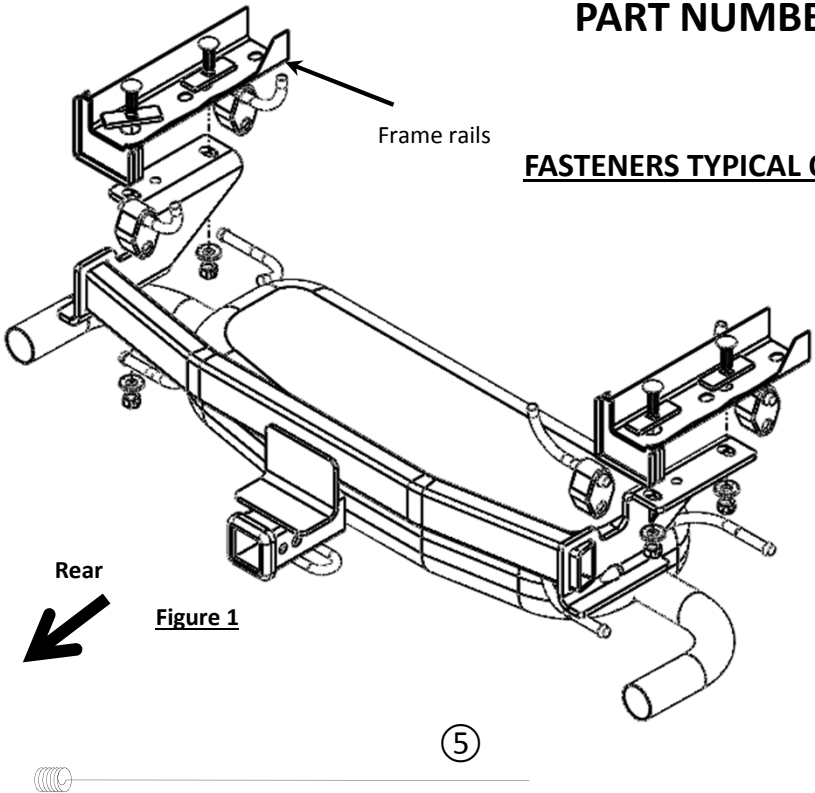
Hitch Illustration

Always wear SAFETY GLASSES when installing hitch

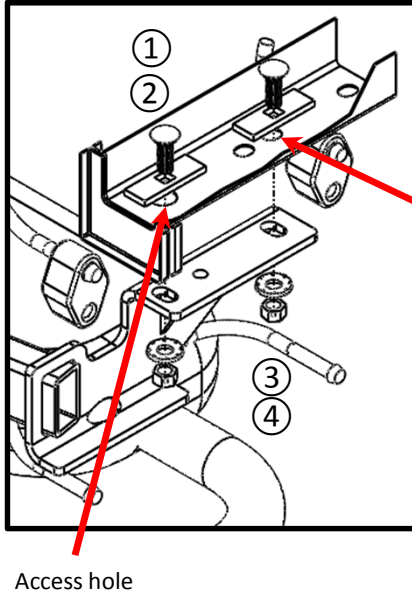
Installation Instructions

PART NUMBERS: 76138, 84138, CQT76138

Fastener Kit : 76138F			
①	Qty. (4)	Carriage bolt ½-13 x 1.25 GR5	
②	Qty. (4)	Spacer .250 x 1 x3	
③	Qty. (4)	Conical washer ½"	
④	Qty. (4)	Hex Nut ½ -13 GR5	
⑤	Qty. (4)	Fish wire ½-13	

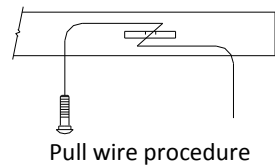


FASTENERS TYPICAL ON BOTH SIDES



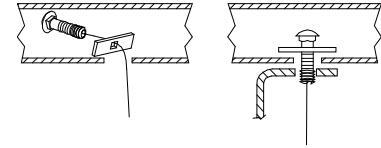
Forward attachment hole

Access hole



Pull wire procedure

Figure 2



Reverse pull wire procedure

Figure 3

- Support and lower exhaust:** Lower the exhaust by removing (4) rubber hangers, and support the exhaust to prevent it from falling under it's own weight. Spraying a lubricant or soapy water on the metal hanger rod and the rubber isolator helps removal.
 - Remove plastic rivets:** If present remove the plastic rivets that fasten the fascia tabs to the vehicle. Note: Remove the center of the rivet with a flat screwdriver. Keep for re-installation.
 - Install fasteners:** Feed the coiled end of the pull wire (5) through the bolt forward attachment hole in the frame and out the access hole. Attach feed spacer (2) onto the pull wire (5) and thread the carriage bolt (1) onto the pull wire (5). Pull the pull wire (5) with fasteners into location through the hole. Leave pull wire (5) attached. Repeat the same process on the both frame rails. See figure 2. Using the reverse pull wire procedure thread carriage bolt (1) onto the pull wire (5) and feed it into the access hole on the frame rail then feed the spacer (2) onto the pull wire (5) and feed it into the access hole and pull the carriage bolt (1) into position through the spacer. Leave the pull wire (5) attached. See figure 3.
 - Install hitch:** Raise the hitch above exhaust, feed pull wires (5) through the attachment points on hitch brackets. (Gently pull fascia rearward as needed to gain access between the fascia and exhaust hanger.)
 - Install fastener:** Feed conical washer (3) over pull wire (5), using the washer to hold the bolt in place remove the pull wires (5) and attach the hex nut (4). Hand tighten both sides.
 - Tighten all 1/2 GR5 fasteners to 75 lb-ft. (102 N*M)** Note : A universal joint socket may be needed to tighten the rearward fasteners on both sides.
- ⚠ Proper torque is needed to keep the hitch secure to the vehicle when towing.**
- Reinstall exhaust:** Raise the exhaust back into position and remove the ratchet strap. Spraying a lubricant or soapy water on the metal hanger rod and the rubber isolator helps with reinstalling.
 - Reinstall plastic rivets if removed in step 2.

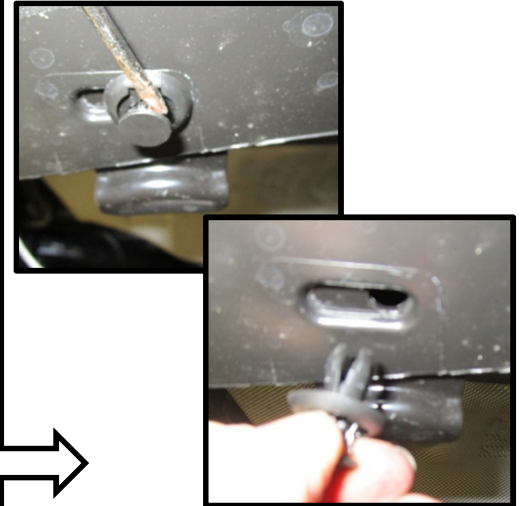
Note: check hitch frequently, making sure all fasteners and ball are properly tightened. If hitch is removed, plug all holes in trunk pan or other body panels to prevent entry of water and exhaust fumes. A hitch or ball which has been damaged should be removed and replaced. Observe safety precautions when working beneath a vehicle and wear eye protection. Do not cut access or attachment holes with a torch.

This product complies with safety specifications and requirements for connecting devices and towing systems of the state of New York, V.E.S.C. Regulation V-5 and SAE J684.

1. Support and lower exhaust: Lower the exhaust by removing (4) rubber hangers, and support the exhaust to prevent it from falling under its own weight. Spraying a lubricant or soapy water on the metal hanger rod and the rubber isolator helps removal.



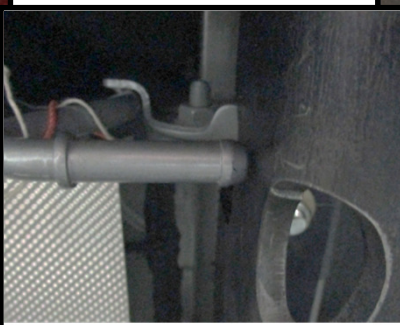
2. Remove plastic rivets: If present remove the plastic rivets that fasten the fascia tabs to the vehicle. Note: Remove the center of the rivet with a flat screwdriver. Keep for re-installation.



3. Install fasteners: Feed the coiled end of the pull wire ⑤ through the bolt forward attachment hole in the frame and out the access hole. Attach feed spacer ② onto the pull wire ⑤ and thread the carriage bolt ① onto the pull wire ⑤. Pull the pull wire ⑤ with fasteners into location through the hole. Leave pull wire ⑤ attached. Repeat the same process on the both frame rails. See figure 2. Using the reverse pull wire procedure thread carriage bolt ① onto the pull wire ⑤ and feed it into the access hole on the frame rail then feed the spacer ② onto the pull wire ⑤ and feed it into the access hole and pull the carriage bolt ① into position through the spacer. Leave the pull wire ⑤ attached. See figure 3.



4. Install hitch: Raise the hitch above exhaust, feed pull wires ⑤ through the attachment points on hitch brackets. (Gently pull fascia rearward as needed to gain access between the fascia and exhaust hanger.)



5. Install fastener: Feed conical washer ③ over pull wire ⑤, using the washer to hold the bolt in place remove the pull wires ⑤ and attach the hex nut ④. Hand tighten both sides.

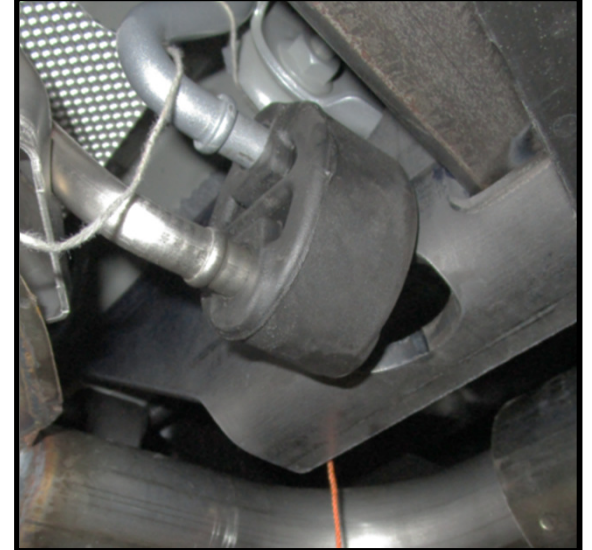
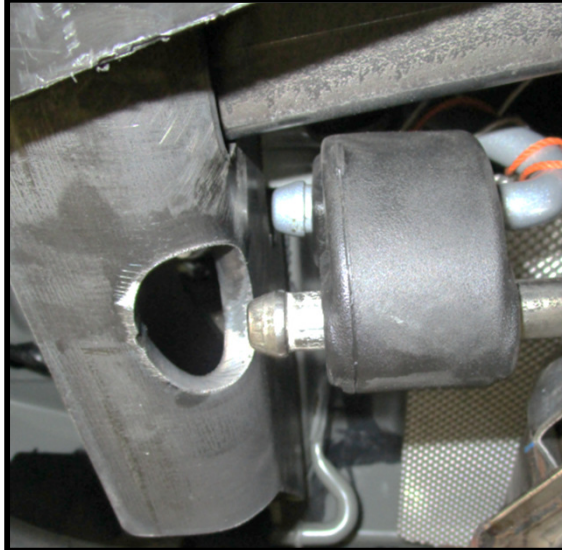
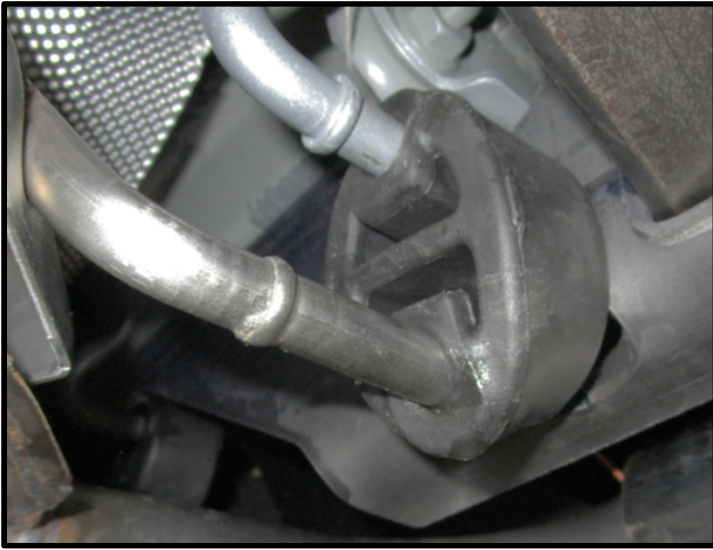


6. Tighten all 1/2 GR5 fasteners to 75 lb-ft. (102 N*M) Note : A universal joint socket may be needed to tighten the rearward fasteners on both sides.

⚠ Proper torque is needed to keep the hitch secure to the vehicle when towing.



7. **Reinstall exhaust:** Raise the exhaust back into position and remove the ratchet strap. Spraying a lubricant or soapy water on the metal hanger rod and the rubber isolator helps with reinstalling.



8. Reinstall plastic rivets if removed in step 2.

