



Installation Instructions

PART NUMBERS: 76078, 84078, CQT76078

⚠ WARNING

To prevent **SERIOUS INJURY, DEATH or PROPERTY DAMAGE:**

- **ALWAYS read, understand and follow warnings and instructions for your hitch BEFORE installation. Keep for future reference.**
- **DO NOT cut, weld or modify this receiver.**
- **CHECK all fasteners are tight and your hitch is securely mounted to your vehicle periodically.**
- **ALWAYS read, understand and follow all warnings and instructions for your vehicle and for other accessories you will use with your hitch BEFORE use.**
- **LOAD the trailer heavier in front.**
- **DO NOT exceed lower of towing vehicle manufacturer’s rating or:**

Hitch Type	Max Gross Trailer Weight	Max Tongue Weight
Weight Carrying	8000 lb. (3629 kg)	800 lb. (363 kg)
Weight Distributing	8000 lb. (3629 kg)	800 lb. (363 kg)

- **ALWAYS wear your seatbelt.**
- **SLOW DOWN when towing, NEVER exceed any posted speed limit.**
- **If EXCESS SWAY occurs, take your foot off the gas pedal and hold the steering wheel as steady as possible. DO NOT apply your brakes and DO NOT speed up.**

LIMITED LIFETIME WARRANTY

1. **Limited Lifetime Warranty (“Warranty”).** Cequent Performance Products, Inc. (“We”, “Us” or “Our”) warrants to the original consumer purchaser only (“You” or “Your”) that the product will be free from material defects in both material and workmanship, ordinary wear and tear excepted. The Warranty is valid only if (a) the products are returned to Us for inspection and testing; (b) Our inspection discloses to Our satisfaction that any alleged nonconformance are material and have not been caused by misuse, neglect, wear and tear, improper installation, unsuitable storage, improper repair, alteration, or accident; and (c) the products were installed, maintained and used in accordance with Our instructions. **THE WARRANTY IS MADE IN LIEU OF ALL OTHER WARRANTIES, EXPRESS OR IMPLIED (OTHER THAN THE WARRANTY OF TITLE AS PROVIDED BY THE UNIFORM COMMERCIAL CODE IN EFFECT IN MICHIGAN), INCLUDING WITHOUT LIMITATION, ANY WARRANTIES OF MERCHANTABILITY OR FITNESS FOR A PARTICULAR PURPOSE, SAID WARRANTIES BEING EXPRESSLY DISCLAIMED.**
2. **Obligations of Purchaser.** Any returned product that is replaced by Us becomes our property. You may be responsible for return shipping costs. Please retain your purchase receipt to verify date of purchase and that You are the original consumer purchaser. The product and the purchase receipt must be provided to Us in order to process Your Warranty claim.
3. **Exclusive Remedy.** Product replacement is Your sole and exclusive remedy under this Warranty. We shall not be liable for service or labor charges incurred in removing or replacing a product. **IN NO EVENT WILL WE BE RESPONSIBLE FOR ANY INDIRECT, SPECIAL, CONSEQUENTIAL OR PUNITIVE DAMAGES.**
4. **Assumption of Risk.** You acknowledge and agree that any use of the product for any purpose other than the specified use(s) stated in the product instructions is at Your own risk.
5. **Governing Law.** This Warranty gives You specific legal rights, and You also may have other rights which vary from state to state. This Warranty is governed by the laws of the State of Michigan, without regard to rules pertaining to conflicts of law. The state courts located in Oakland County, Michigan shall have exclusive jurisdiction for any disputes relating to this Warranty.



Installation Instructions

PART NUMBERS: 76078, 84078, CQT76078

Applications:

Years	Make	Models
2016-Current	Nissan	Navara NP300

*Visit our website for the most up to date information regarding application years and trim levels.

Installation Time: **30 min.**

The time listed above is the average time for professional installers. If you do not feel comfortable performing this installation on your own or are in need of assistance, please contact a professional installer.



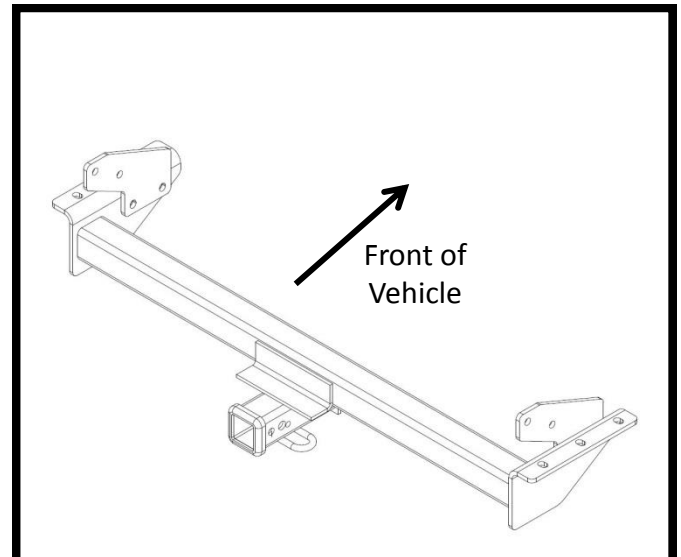
Representative Vehicle Photo

Equipment Required:

	
Safety Glasses	Ratchet
	
Torque Wrench	19 mm Sockets

DO NOT EXCEED LOWER OF TOWING VEHICLE MANUFACTURER'S RATING OR:

Hitch Type	Max Gross Trailer Weight	Max Tongue Weight
Weight Carrying	8000 lb. (3629 kg)	800 lb. (363 kg)
Weight Distributing	8000 lb. (3629 kg)	800 lb. (363 kg)



Hitch Illustration



Always wear **SAFETY GLASSES** when installing hitch

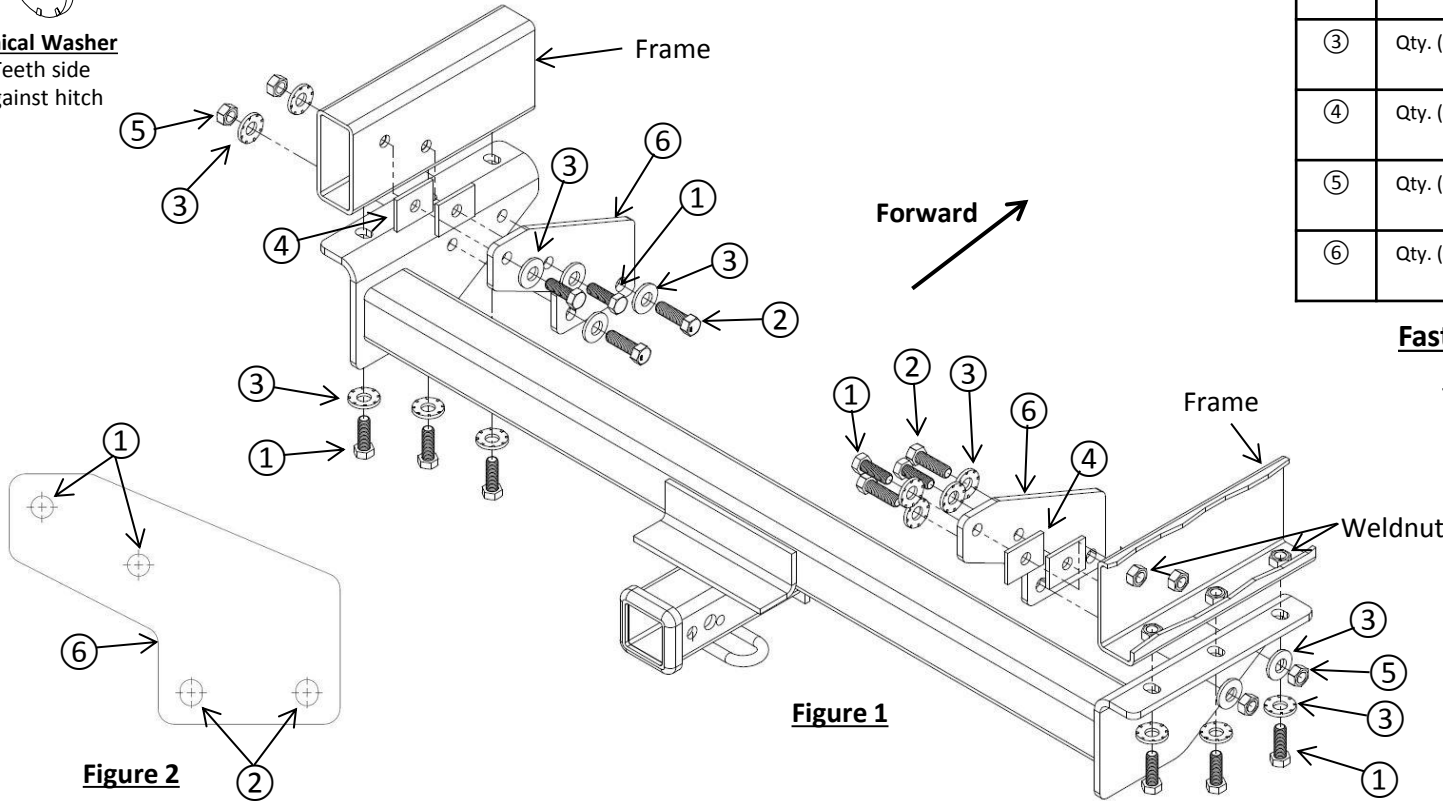
Installation Instructions

PART NUMBERS: 76078, 84078, CQT76078

Fastener Kit: 76078F

①	Qty. (10)	Hex Bolt CL 8.8 M12 x 1.25 x 35mm	
②	Qty. (4)	Hex Bolt CL 10.9 M12 x 1.25 x 40mm	
③	Qty. (18)	Conical Washer 1/2"	
④	Qty. (4)	Spacer .188 x 1.50" x 2.00"	
⑤	Qty. (4)	Hex Nut CL 10.9 M12 x 1.25	
⑥	Qty. (2)	Bolt Plate	

Conical Washer
Teeth side
Against hitch



**Fasteners Typical Both
Sides of Vehicle**

Figure 1

Figure 2

- 1. Unbolt Bolt Plates from Hitch** – Remove the (1) M12 bolt (item 2) and (1) M12 nut from the hitch and retain for reuse for Hitch installation.
- 2. Remove Tow Hook** – Remove the tow hook from the rear driver frame by uninstalling (5) existing M12 bolts ((2) from the bottom and (3) from the inside). Return bolts and tow hook to owner.
- 3. Attach Hitch to Vehicle Frame**– Raise the hitch into position and align the (3) holes on each hitch bracket with the (3) holes on each frame. Install (3) M12 bolts (item 1) and (3) conical washers through the holes on each hitch bracket and into the weldnuts of the frame.
Note – If more clearance is required, loosen or lower the spare tire or lower the exhaust.
- 3. Install Bolt Plate** – Install (2) M12 bolts (item 1) and (2) conical washers through the top (2) holes of each bolt plates. On each bolt put (1) spacer then thread the bolt into the weldnut in the frame as shown in Figure 1. In the bottom (2) holes of each bolt plate and each hitch bracket thread (1) M12 bolt (item 2) and (1) conical washer and secure each bolt with (1) conical washer and (1) M12 nut.
- 4. Tighten all M12 CL 8.8 fasteners with torque wrench to 57 ft-lbs (77 N-m) & tighten all M12 CL 10.9 fasteners with torque wrench to 130 ft-lbs (176 N-m).**
▲ Proper torque is needed to keep the hitch secure to the vehicle when towing.

Note: check hitch frequently, making sure all fasteners and ball are properly tightened. If hitch is removed, plug all holes in trunk pan or other body panels to prevent entry of water and exhaust fumes. A hitch or ball which has been damaged should be removed and replaced. Observe safety precautions when working beneath a vehicle and wear eye protection. Do not cut access or attachment holes with a torch.

This product complies with safety specifications and requirements for connecting devices and towing systems of the state of New York, V.E.S.C. Regulation V-5 and SAE J684.