



Installation Instructions

PART NUMBERS: 76050, 84050, CQT76050

! WARNING

To prevent **SERIOUS INJURY, DEATH** or **PROPERTY DAMAGE**:

- **ALWAYS** read, understand and follow warnings and instructions for your hitch **BEFORE** installation. Keep for future reference.
- **DO NOT** cut, weld or modify this receiver.
- **CHECK** all fasteners are tight and your hitch is securely mounted to your vehicle periodically.
- **ALWAYS** read, understand and follow all warnings and instructions for your vehicle and for other accessories you will use with your hitch **BEFORE** use.
- **LOAD** the trailer heavier in front.
- **DO NOT** exceed lower of towing vehicle manufacturer’s rating or:

Hitch Type	Max Gross Trailer Weight	Max Tongue Weight
Weight Carrying	5000 lb. (2270 kg)	500 lb. (227 kg)
Weight Distributing	DO NOT USE WITH	SPRING BARS

- **ALWAYS** wear your seatbelt.
- **SLOW DOWN** when towing, **NEVER** exceed any posted speed limit.
- If **EXCESS SWAY** occurs, take your foot off the gas pedal and hold the steering wheel as steady as possible. **DO NOT** apply your brakes and **DO NOT** speed up.

LIMITED LIFETIME WARRANTY

1. **Limited Lifetime Warranty (“Warranty”).** Cequent Performance Products, Inc. (“We”, “Us” or “Our”) warrants to the original consumer purchaser only (“You” or “Your”) that the product will be free from material defects in both material and workmanship, ordinary wear and tear excepted. The Warranty is valid only if (a) the products are returned to Us for inspection and testing; (b) Our inspection discloses to Our satisfaction that any alleged nonconformance are material and have not been caused by misuse, neglect, wear and tear, improper installation, unsuitable storage, improper repair, alteration, or accident; and (c) the products were installed, maintained and used in accordance with Our instructions. **THE WARRANTY IS MADE IN LIEU OF ALL OTHER WARRANTIES, EXPRESS OR IMPLIED (OTHER THAN THE WARRANTY OF TITLE AS PROVIDED BY THE UNIFORM COMMERCIAL CODE IN EFFECT IN MICHIGAN), INCLUDING WITHOUT LIMITATION, ANY WARRANTIES OF MERCHANTABILITY OR FITNESS FOR A PARTICULAR PURPOSE, SAID WARRANTIES BEING EXPRESSLY DISCLAIMED.**
2. **Obligations of Purchaser.** Any returned product that is replaced by Us becomes our property. You may be responsible for return shipping costs. Please retain your purchase receipt to verify date of purchase and that You are the original consumer purchaser. The product and the purchase receipt must be provided to Us in order to process Your Warranty claim.
3. **Exclusive Remedy.** Product replacement is Your sole and exclusive remedy under this Warranty. We shall not be liable for service or labor charges incurred in removing or replacing a product. **IN NO EVENT WILL WE BE RESPONSIBLE FOR ANY INDIRECT, SPECIAL, CONSEQUENTIAL OR PUNITIVE DAMAGES.**
4. **Assumption of Risk.** You acknowledge and agree that any use of the product for any purpose other than the specified use(s) stated in the product instructions is at Your own risk.
5. **Governing Law.** This Warranty gives You specific legal rights, and You also may have other rights which vary from state to state. This Warranty is governed by the laws of the State of Michigan, without regard to rules pertaining to conflicts of law. The state courts located in Oakland County, Michigan shall have exclusive jurisdiction for any disputes relating to this Warranty.



Installation Instructions

PART NUMBERS: 76050, 84050, CQT76050

Applications:

Years	Make	Models
-------	------	--------

2014-Current*	Ram	Promaster
---------------	-----	-----------

*Visit our website for the most up to date information regarding application years and trim levels.

Installation Time: **45 Min.**

The time listed above is the average time for professional installers. If you do not feel comfortable performing this installation on your own or are in need of assistance, please contact a professional installer.

Equipment Required:

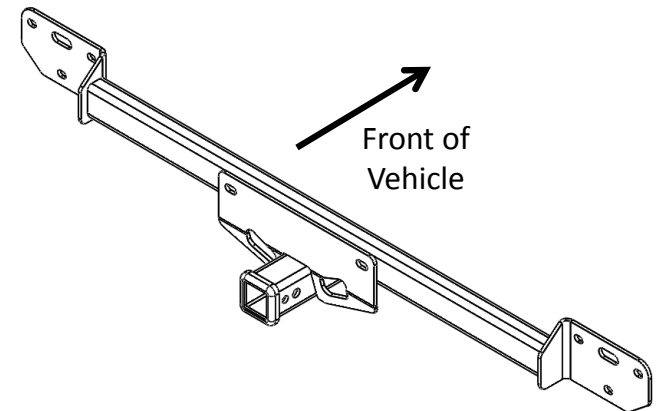


**DO NOT EXCEED LOWER OF TOWING VEHICLE
MANUFACTURER'S RATING OR:**

Hitch Type	Max Gross Trailer Weight	Max Tongue Weight
Weight Carrying	5000 lb. (2270 kg)	500 lb. (227 kg)
Weight Distributing	DO NOT USE WITH	SPRING BARS



Representative Vehicle Photo









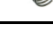
Hitch Illustration

Always wear SAFETY GLASSES when installing hitch

Installation Instructions

PART NUMBERS: 76050, 84050, CQT76050

Fastener Kit : 76050F

①	Qty. (4)	Bolt M10x1.25x40 CL10.9	
②	Qty. (4)	Lock washer 7/16"	
③	Qty. (2)	Carriage bolt ½-13 x 1.75 GR5	
④	Qty. (2)	Block .25 X 1.00 X 3.00	
⑤	Qty. (2)	Conical washer 1/2"	
⑥	Qty. (2)	Hex nut ½-13 GR5	
⑦	Qty. (2)	Fish wire ½-13	

Note: Fasteners typical both sides

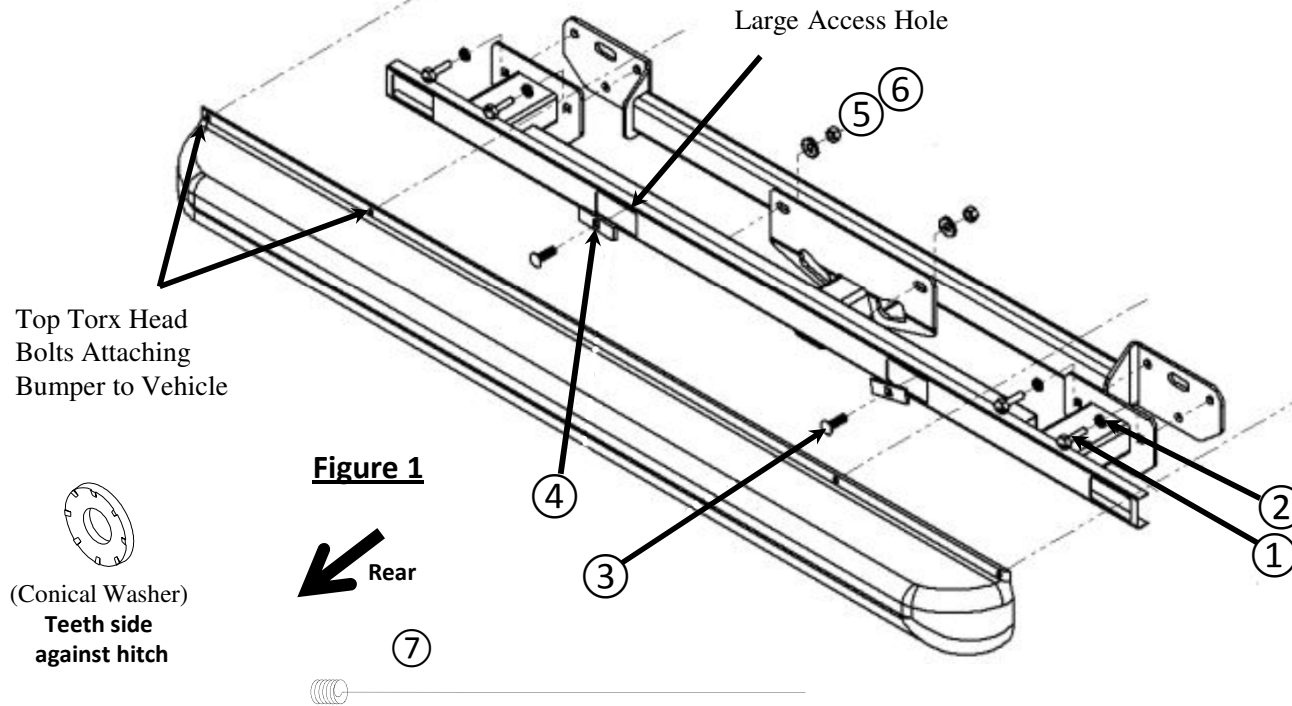
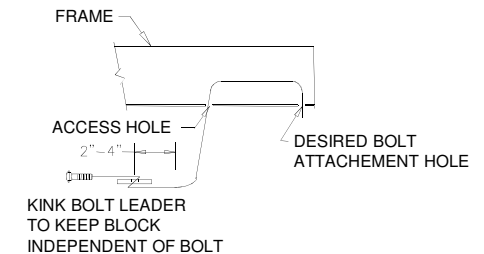


Figure 1



EXAMPLE OF BOLT LEADER PROCEDURE

- Using the T30 torx bit, remove the eight bolts attaching the bumper fascia to the vehicle frame (there are four on top of the bumper and four below) and place out of the way. NOTE: if there is a back up camera, disconnect the wires before completely removing the bumper fascia.
- Using the 16mm wrench remove the four M10 bolts and the two hex nuts that are attaching the bumper structure to the vehicle. Give the bolts to the vehicle owner however the nut will be reused.
- Using the large access holes in the bumper structure and the included bolt leaders to install carriage bolts and blocks; install the hitch onto the removed bumper structure. It is important that the hitch mates up with the bracket holes on the sides of the bumper structure.
- Raise the whole bumper structure and hitch into place on the vehicle. Using the existing two hex nuts as well as the four M10 X 1.25 X 40mm bolts included attach the structure to the vehicle. Note: if there is a back up camera pass the wires through the slot in the middle of the side attachment brackets.
- Torque all hardware to the specification given below.
- Reattach the back up camera, if included and the bumper fascia.
- Tighten all ½"-13 GR5 fasteners with torque wrench to 75 Lb.-Ft. (102 N*M), Tighten all M10X1.25 CL10.9 fasteners with torque wrench to 71Lb.-Ft. (96 N*M)**

⚠ Proper torque is needed to keep the hitch secure to the vehicle when towing.

Note: check hitch frequently, making sure all fasteners and ball are properly tightened. If hitch is removed, plug all holes in trunk pan or other body panels to prevent entry of water and exhaust fumes. A hitch or ball which has been damaged should be removed and replaced. Observe safety precautions when working beneath a vehicle and wear eye protection. Do not cut access or attachment holes with a torch.

This product complies with safety specifications and requirements for connecting devices and towing systems of the state of New York, V.E.S.C. Regulation V-5 and SAE J684.