



Installation Instructions

**PART NUMBERS: 24935, 60373, 77322,
CQT24935**

LIMITED LIFETIME WARRANTY

WARNING

To prevent SERIOUS INJURY, DEATH or PROPERTY DAMAGE:

- **ALWAYS read, understand and follow warnings and instructions for your hitch BEFORE installation. Keep for future reference.**
- **DO NOT cut, weld or modify this receiver.**
- **CHECK all fasteners are tight and your hitch is securely mounted to your vehicle periodically.**
- **ALWAYS read, understand and follow all warnings and instructions for your vehicle and for other accessories you will use with your hitch BEFORE use.**
- **LOAD the trailer heavier in front.**
- **DO NOT exceed lower of towing vehicle manufacturer's rating or:**

Hitch Type	Max Gross Trailer Weight	Max Tongue Weight
Weight Carrying	2000 lb. (907 kg)	200 lb. (91 kg)
Weight Distributing	N/A	N/A

- **ALWAYS wear your seatbelt.**
- **SLOW DOWN when towing, NEVER exceed any posted speed limit.**
- **If EXCESS SWAY occurs, take your foot off the gas pedal and hold the steering wheel as steady as possible. DO NOT apply your brakes and DO NOT speed up.**

1. **Limited Lifetime Warranty (“Warranty”).** Cequent Performance Products, Inc. (“We”, “Us” or “Our”) warrants to the original consumer purchaser only (“You” or “Your”) that the product will be free from material defects in both material and workmanship, ordinary wear and tear excepted. The Warranty is valid only if (a) the products are returned to Us for inspection and testing; (b) Our inspection discloses to Our satisfaction that any alleged nonconformance are material and have not been caused by misuse, neglect, wear and tear, improper installation, unsuitable storage, improper repair, alteration, or accident; and (c) the products were installed, maintained and used in accordance with Our instructions. **THE WARRANTY IS MADE IN LIEU OF ALL OTHER WARRANTIES, EXPRESS OR IMPLIED (OTHER THAN THE WARRANTY OF TITLE AS PROVIDED BY THE UNIFORM COMMERCIAL CODE IN EFFECT IN MICHIGAN), INCLUDING WITHOUT LIMITATION, ANY WARRANTIES OF MERCHANTABILITY OR FITNESS FOR A PARTICULAR PURPOSE, SAID WARRANTIES BEING EXPRESSLY DISCLAIMED.**
2. **Obligations of Purchaser.** Any returned product that is replaced by Us becomes our property. You may be responsible for return shipping costs. Please retain your purchase receipt to verify date of purchase and that You are the original consumer purchaser. The product and the purchase receipt must be provided to Us in order to process Your Warranty claim.
3. **Exclusive Remedy.** Product replacement is Your sole and exclusive remedy under this Warranty. We shall not be liable for service or labor charges incurred in removing or replacing a product. **IN NO EVENT WILL WE BE RESPONSIBLE FOR ANY INDIRECT, SPECIAL, CONSEQUENTIAL OR PUNITIVE DAMAGES.**
4. **Assumption of Risk.** You acknowledge and agree that any use of the product for any purpose other than the specified use(s) stated in the product instructions is at Your own risk.
5. **Governing Law.** This Warranty gives You specific legal rights, and You also may have other rights which vary from state to state. This Warranty is governed by the laws of the State of Michigan, without regard to rules pertaining to conflicts of law. The state courts located in Oakland County, Michigan shall have exclusive jurisdiction for any disputes relating to this Warranty.



Installation Instructions

PART NUMBERS: 24935, 60373, 77322, CQT24935

Applications:

Years	Make	Models
2013-Current*	Scion/Subaru	FR-S/BRZ

*Visit our website for the most up to date information regarding application years and trim levels.



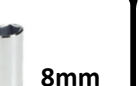




Installation Time: 75 min.

The time listed above is the average time for professional installers. If you do not feel comfortable performing this installation on your own or are in need of assistance, please contact a professional installer.



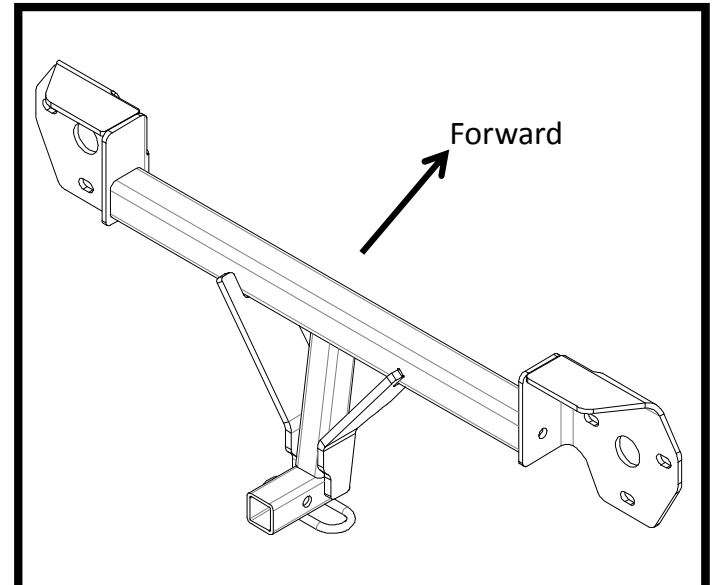
Representative Vehicle Photo

Equipment Required:

 Safety Glasses	 Ratchet	 8mm 15mm Sockets	 Torque Wrench	 6" Socket Extension
 Universal Joint Socket	 Philips Screwdriver			

DO NOT EXCEED LOWER OF TOWING VEHICLE MANUFACTURER'S RATING OR:

Hitch Type	Max Gross Trailer Weight	Max Tongue Weight
Weight Carrying	2000 lb. (907 kg)	200 lb. (91 kg)
Weight Distributing	N/A	N/A



Hitch Illustration



Always wear SAFETY GLASSES
when installing hitch

Installation Instructions

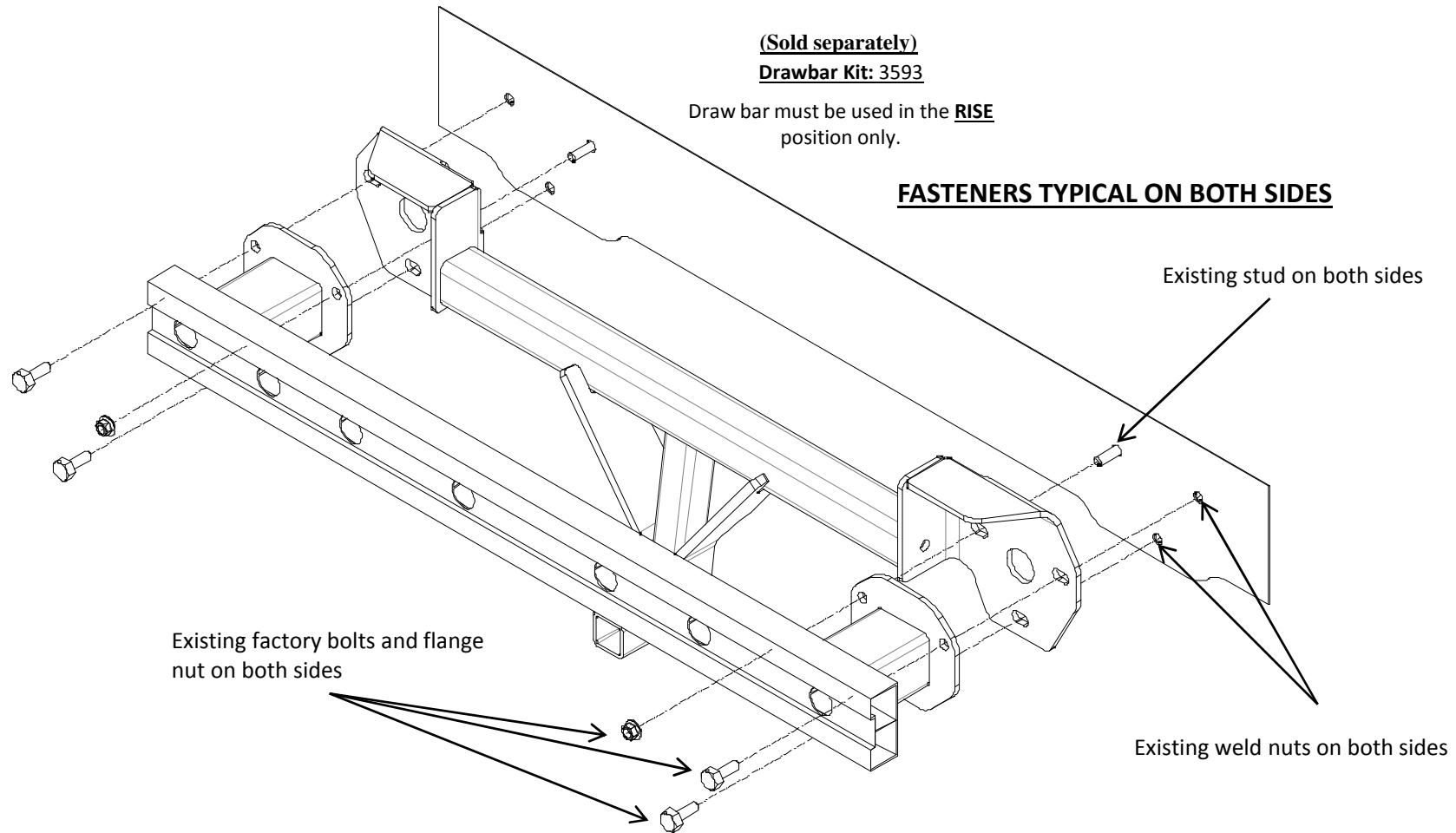
PART NUMBERS: 24935, 60373, 77322, CQT24935

(Sold separately)

Drawbar Kit: 3593

Draw bar must be used in the **RISE**
position only.

FASTENERS TYPICAL ON BOTH SIDES



1. Remove (3) underneath rivets and (2) rivets on the wheel well on both sides.
2. Open tail gate and remove (1) screw below each taillight with a phillips screwdriver on both sides.
3. Remove (2) rivets inside trunk on both sides to get access to the tail light fasteners.
4. Disconnect wire for taillights and remove (4) flange nuts on both sides with an 8mm socket to take off the taillights.
5. Gently pull away the sides of the bumper cover until it detaches from vehicle. Disconnect the harness at the bumper, and put the bumper cover aside.
6. Remove (4) bolts and (2) nuts with a 15mm socket and put the bumper aside.
7. Raise the hitch into position, sandwich the hitch between vehicle frame and bumper, and loosely install the factory bolts.
8. **Tighten all 10mm fasteners to 42 lb-ft (57 N*M).** Reinstall the bumper cover, harness and taillights in reverse order.

⚠ Proper torque is needed to keep the hitch secure to the vehicle when towing.

Note: Check hitch frequently, making sure all fasteners and ball are properly tightened. If hitch is removed, plug all holes in trunk pan or other body panels to prevent entry of water and exhaust fumes. A hitch or ball which has been damaged should be removed and replaced. Observe safety precautions when working beneath a vehicle and wear eye protection. Do not cut access or attachment holes with a torch.

This product complies with safety specifications and requirements for connecting devices and towing systems of the state of New York, V.E.S.C. Regulation V-5 and SAE J684.