



Installation Instructions

PART NUMBERS: 24931, 60369, 77318

! WARNING

To prevent **SERIOUS INJURY, DEATH** or **PROPERTY DAMAGE**:

- **ALWAYS** read, understand and follow warnings and instructions for your hitch **BEFORE** installation. Keep for future reference.
- **DO NOT** cut, weld or modify this receiver.
- **CHECK** all fasteners are tight and your hitch is securely mounted to your vehicle periodically.
- **ALWAYS** read, understand and follow all warnings and instructions for your vehicle and for other accessories you will use with your hitch **BEFORE** use.
- **LOAD** the trailer heavier in front.
- **DO NOT** exceed lower of towing vehicle manufacturer’s rating or:

Hitch Type	Max Gross Trailer Weight	Max Tongue Weight
Weight Carrying	2000 lb. (908 kg)	200 lb. (90.8 kg)
Weight Distributing	X	X

- **ALWAYS** wear your seatbelt.
- **SLOW DOWN** when towing, **NEVER** exceed any posted speed limit.
- If **EXCESS SWAY** occurs, take your foot off the gas pedal and hold the steering wheel as steady as possible. **DO NOT** apply your brakes and **DO NOT** speed up.

LIMITED LIFETIME WARRANTY

1. **Limited Lifetime Warranty (“Warranty”).** Cequent Performance Products, Inc. (“We”, “Us” or “Our”) warrants to the original consumer purchaser only (“You” or “Your”) that the product will be free from material defects in both material and workmanship, ordinary wear and tear excepted. The Warranty is valid only if (a) the products are returned to Us for inspection and testing; (b) Our inspection discloses to Our satisfaction that any alleged nonconformance are material and have not been caused by misuse, neglect, wear and tear, improper installation, unsuitable storage, improper repair, alteration, or accident; and (c) the products were installed, maintained and used in accordance with Our instructions. **THE WARRANTY IS MADE IN LIEU OF ALL OTHER WARRANTIES, EXPRESS OR IMPLIED (OTHER THAN THE WARRANTY OF TITLE AS PROVIDED BY THE UNIFORM COMMERCIAL CODE IN EFFECT IN MICHIGAN), INCLUDING WITHOUT LIMITATION, ANY WARRANTIES OF MERCHANTABILITY OR FITNESS FOR A PARTICULAR PURPOSE, SAID WARRANTIES BEING EXPRESSLY DISCLAIMED.**
2. **Obligations of Purchaser.** Any returned product that is replaced by Us becomes our property. You may be responsible for return shipping costs. Please retain your purchase receipt to verify date of purchase and that You are the original consumer purchaser. The product and the purchase receipt must be provided to Us in order to process Your Warranty claim.
3. **Exclusive Remedy.** Product replacement is Your sole and exclusive remedy under this Warranty. We shall not be liable for service or labor charges incurred in removing or replacing a product. **IN NO EVENT WILL WE BE RESPONSIBLE FOR ANY INDIRECT, SPECIAL, CONSEQUENTIAL OR PUNITIVE DAMAGES.**
4. **Assumption of Risk.** You acknowledge and agree that any use of the product for any purpose other than the specified use(s) stated in the product instructions is at Your own risk.
5. **Governing Law.** This Warranty gives You specific legal rights, and You also may have other rights which vary from state to state. This Warranty is governed by the laws of the State of Michigan, without regard to rules pertaining to conflicts of law. The state courts located in Oakland County, Michigan shall have exclusive jurisdiction for any disputes relating to this Warranty.



Installation Instructions

PART NUMBERS: 24931, 60369, 77318

Applications:

Years	Make	Models
-------	------	--------

2014-Current*	Infiniti	Q50
---------------	----------	-----

*Visit our website for the most up to date information regarding application years and trim levels.

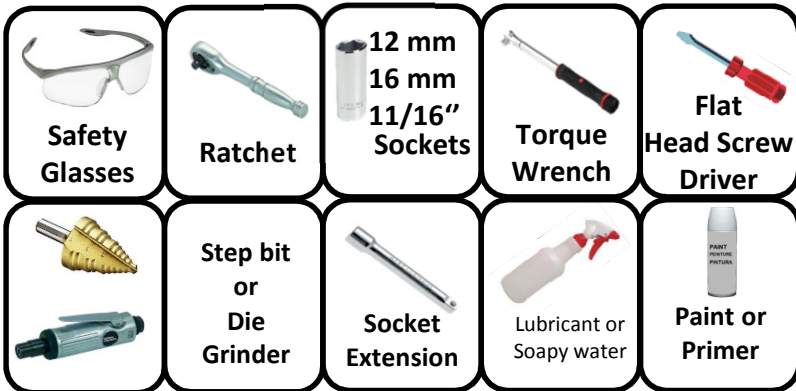
Installation Time: **40 Min.**

The time listed above is the average time for professional installers. If you do not feel comfortable performing this installation on your own or are in need of assistance, please contact a professional installer.



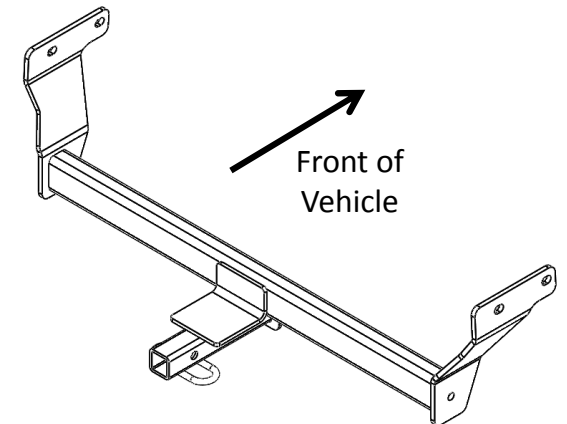
Representative Vehicle Photo

Equipment Required:



DO NOT EXCEED LOWER OF TOWING VEHICLE MANUFACTURER'S RATING OR:

Hitch Type	Max Gross Trailer Weight	Max Tongue Weight
Weight Carrying	2000 lb. (908 kg)	200 lb. (90.8 kg)
Weight Distributing	X	X








Hitch Illustration

Always wear SAFETY GLASSES when installing hitch

Installation Instructions

PART NUMBERS: 24931, 60369, 77318

①	Qty. (4)	Carriage bolt 7/16-14 x 1.75 GR5	
②	Qty. (4)	Spacer .250 x 7/8 x3	
③	Qty. (4)	Conical washer 7/16"	
④	Qty. (4)	Hex Nut 7/16-14 GR2	
⑤	Qty. (4)	Pull wire 7/16	

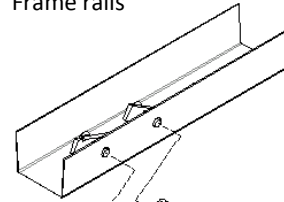

Teeth side
against hitch

Step bit
or
Die
Grinder

Paint or
Primer

Flat Washer
Hardened

Frame rails



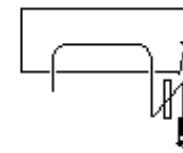
(Sold separately)

Drawbar Kit:

3592

Drawbar must be used in the
RISE position only.

Fastener Kit: 24931F



Kink Pull wire to keep spacer
independent of bolt

Example of pull wire procedure

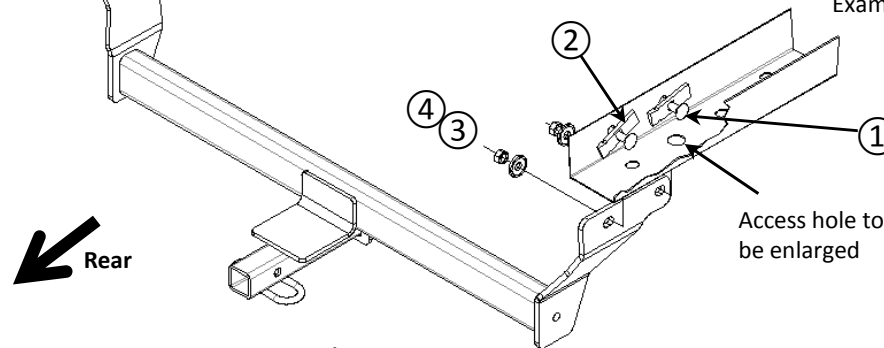
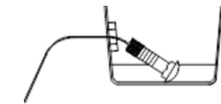



Figure 1

Figure 2



⑤

- Remove tie down bracket on passenger side frame rail if present, to enlarge access hole.
- Lower exhaust by removing (3) bolts attached to rubber isolator hanger bracket both sides. Support vehicle exhaust. For additional access remove next forward isolators. Spraying a lubricant or soapy water on the metal hanger rod and the rubber isolator helps removal.
- Using a 1" step bit or die grinder enlarge the access hole on bottom of frame to allow carriage bolt and spacer access to frame rail, both sides.
- Feed the coiled end of the pull wire through rearward hole and out the access hole. Attach spacer and carriage bolt onto pull wire and feed the fasteners into location through the hole. Push the fasteners back into the frame rails with the pull wire attached, to allow the hitch to go into position. Leave pull wires attached. Repeat the same process on the both frame rails.
- Raise the hitch into position, feeding the end of the pull through the holes in the hitch. Then pull the fasteners back through the frame rails and hitch brackets. Repeat the same process on both frame rails.
- Feed conical washer over pull wire, using the washer to hold the bolt in place remove the pull wires and attach the hex nut. Tighten to hold hitch in place, repeat with all fasteners.
- Tighten all 7/16 GR5 fasteners with torque wrench to 50 Lb.-Ft. (68 N*M)**  **Proper torque is needed to keep the hitch secure to the vehicle when towing.**
- Raise exhaust back into position, spraying a lubricant or soapy water on the metal hanger rod, if removed in step 2. Then reinstall the bolts into the rubber isolator hanger bracket.
- Paint or touch up any bare metal created while enlarging access hole on bottom of the frame rail.
- Reattach the tie down bracket, if remove in step 1.

Note: check hitch frequently, making sure all fasteners and ball are properly tightened. If hitch is removed, plug all holes in trunk pan or other body panels to prevent entry of water and exhaust fumes. A hitch or ball which has been damaged should be removed and replaced. Observe safety precautions when working beneath a vehicle and wear eye protection. Do not cut access or attachment holes with a torch.

This product complies with safety specifications and requirements for connecting devices and towing systems of the state of New York, V.E.S.C. Regulation V-5 and SAE J684.