

# Installation Instructions

Part Numbers:

**Chrysler Sebring, All inc. convertible**

**24871**

**Dodge Avenger**

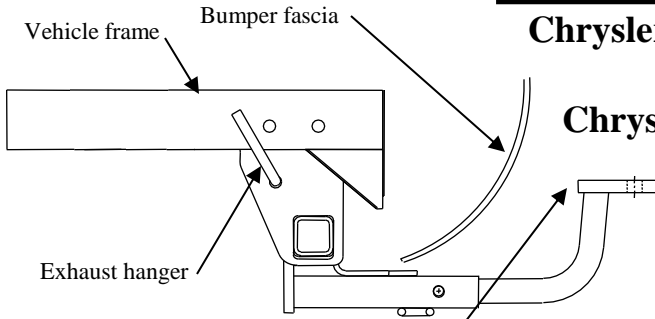
**60288**

**Chrysler 200, All inc. convertible**

**77254**

**Do Not Exceed Lower of Towing Vehicle  
Manufacturer's Rating or**

Hitch type	Max Gross Trailer WT	Max Tongue WT
Weight Carrying Ball Mount	<b>2000 lb. (908 Kg)</b>	<b>200 lb. (91 Kg)</b>



## Hitch Shown In Proper Position

**Drawbar Kit:**  
3594  
**(Sold separately)**

Drawbar must be used in the **Rise** position only.

### Equipment Required:

**Fastener Kit:** 24871F

**Wrenches:** 3/4", 7/8"

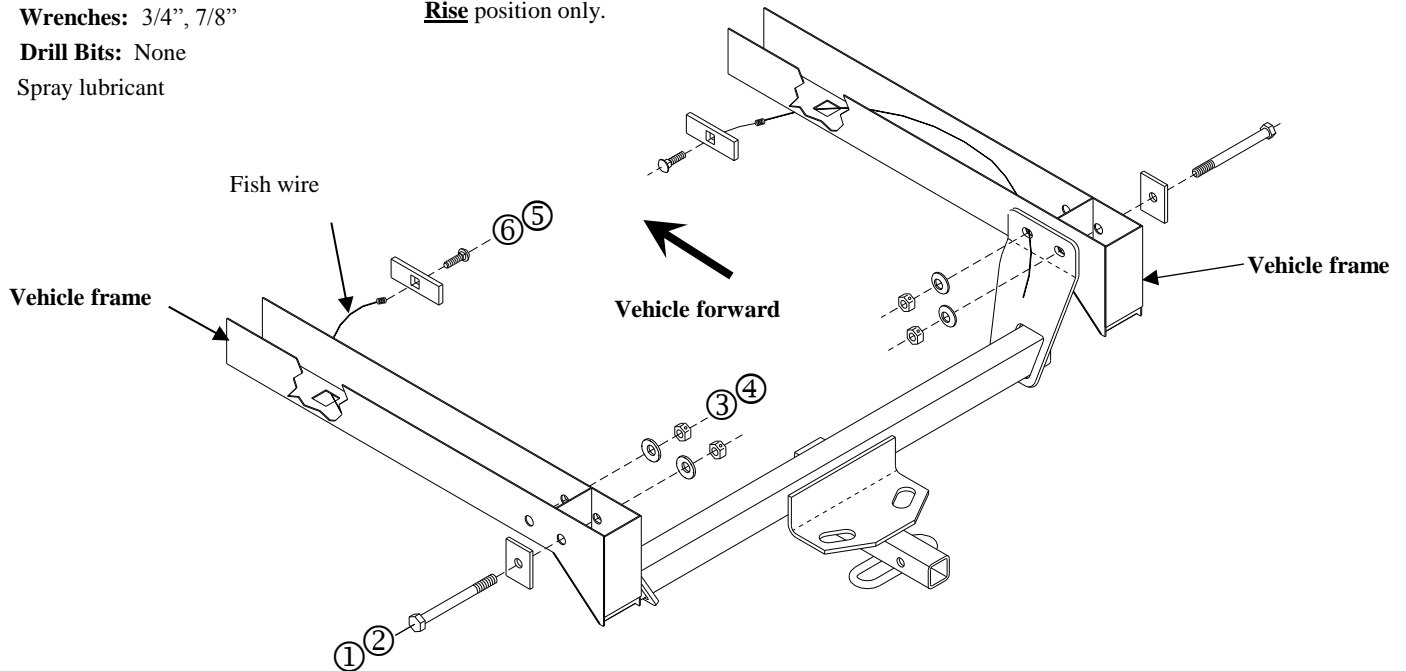
**Drill Bits:** None

Spray lubricant

**Wiring Access Location: (Sebring) PC3 & PC4**

**Wiring Access Location: (Avenger) PC1 & PC2**

**Wiring Access Location: (200) PC1 & PC2**



1	Qty. (2)	1/2"-13 X 4-1/2" Gr.5 Hex Bolts	4	Qty. (4)	1/2" Hex nuts
2	Qty. (2)	1/4" X 1-1/2" X 3" Blocks	5	Qty. (2)	1/4" X 1" X 2" Blocks
3	Qty. (4)	1/2" Conical washers	6	Qty. (2)	1/2"-13 X 1-3/4" Gr.5 Carriage Bolts

- Remove exhaust hangers both sides. Spraying a lubricant on the metal hanger rod and the rubber isolator helps removal.
- Raise hitch into position and insert 4-1/2" bolts and blocks through frame and hitch - both sides. Install conical washers and 1/2" nuts. Hand tighten only.
- Use Fishwire (provide) to install Carriage bolt and block through square hole forward on frame. Keep bolt and block separate until inside of frame. Install conical washers and 1/2" nuts. Hand tighten only.
- Tighten all (4) 1/2" fasteners installed in Step 2 and 3.

Tighten all 1/2" hex bolts with torque wrench to 40 Lb.-Ft.

Tighten all 1/2" carriage bolts with torque wrench to 75 Lb.-Ft.

Note: check hitch frequently, making sure all fasteners and ball are properly tightened. If hitch is removed, plug all holes in trunk pan or other body panels to prevent entry of water and exhaust fumes. A hitch or ball which has been damaged should be removed and replaced. Observe safety precautions when working beneath a vehicle and wear eye protection. Do not cut access or attachment holes with a torch.

This product complies with safety specifications and requirements for connecting devices and towing systems of the state of New York, V.E.S.C. Regulation V-5 and SAE J684.