

Installation Instructions

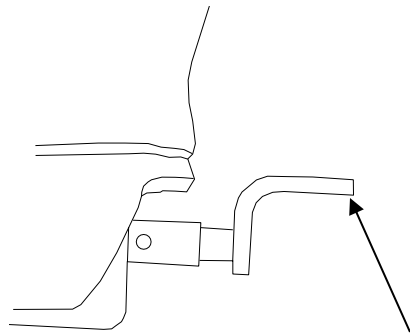
Toyota Prius

Part Numbers:

24808

60894

77179



Drawbar Kit:

3593

(Sold separately)

Drawbar must be used in the **RISE** position only.

**Do Not Exceed Lower of Towing Vehicle
Manufacturer's Rating or**

2000 LB (908 Kg) Max Gross Trailer Weight

200 LB (90.8 Kg) Max Tongue Weight

Hitch Shown In Proper Position

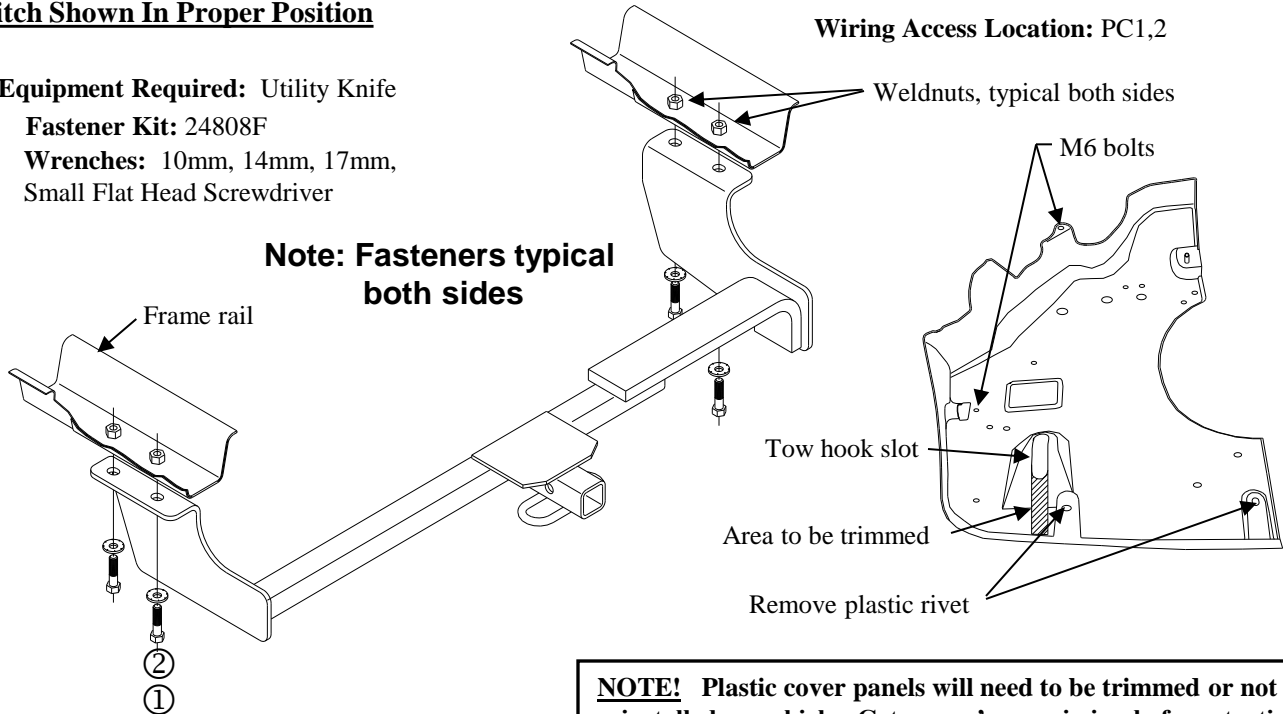
Equipment Required: Utility Knife

Fastener Kit: 24808F

Wrenches: 10mm, 14mm, 17mm,
Small Flat Head Screwdriver

Wiring Access Location: PC1,2

**Note: Fasteners typical
both sides**



NOTE! Plastic cover panels will need to be trimmed or not reinstalled on vehicle. Get owner's permission before starting installation.

①	Qty. (4)	Bolt M10 X 1.25 X 30mm CL 8.8	②	Qty. (4)	Conical Washer
---	----------	-------------------------------	---	----------	----------------

1. Remove plastic cover panel from underneath the driver side of the vehicle.
2. Remove tow hooks if present. Return tow hooks & fasteners to owner.
3. Raise hitch into position and install fasteners into existing weldnuts as shown above.
4. Torque all fasteners to specifications shown below.
5. Plastic cover panel will need to be trimmed or not reinstalled on vehicle. Obtain vehicle owners approval before cutting. With permission: Enlarge tow hook slot on plastic cover panel to fit around drivers side bracket.
6. Reinstall trimmed cover panel removed in Step 1. Or return untrimmed panel to vehicle owner.

Tighten all M10 CL8.8 fasteners with torque wrench to 35 Lb.-Ft. (47 N*M)

Note: check hitch frequently, making sure all fasteners and ball are properly tightened. If hitch is removed, plug all holes in trunk pan or other body panels to prevent entry of water and exhaust fumes. A hitch or ball which has been damaged should be removed and replaced. Observe safety precautions when working beneath a vehicle and wear eye protection. Do not cut access or attachment holes with a torch.

This product complies with safety specifications and requirements for connecting devices and towing systems of the state of New York, V.E.S.C. Regulation V-5 and SAE J684.