

# Installation Instructions

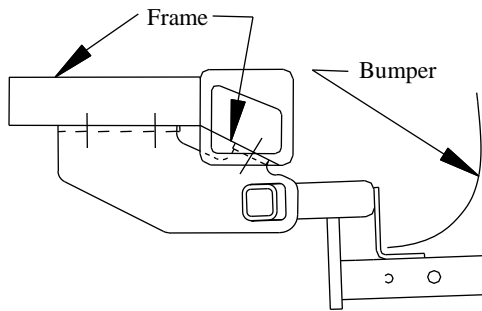
## Chrysler PT Cruiser

Part Numbers:

**24759**

**77135**

**60818**



**(Sold separately)**

**Drawbar Kit:**

3593

Drawbar must be used in the **RISE** position only.

**Do Not Exceed Lower of Towing Vehicle  
Manufacturer's Rating or**

2000 LB Max Gross Trailer Weight

200 LB Max Tongue Weight

### Hitch Shown In Proper Position

**Wiring Access Location: SUV 1, SUV 2**

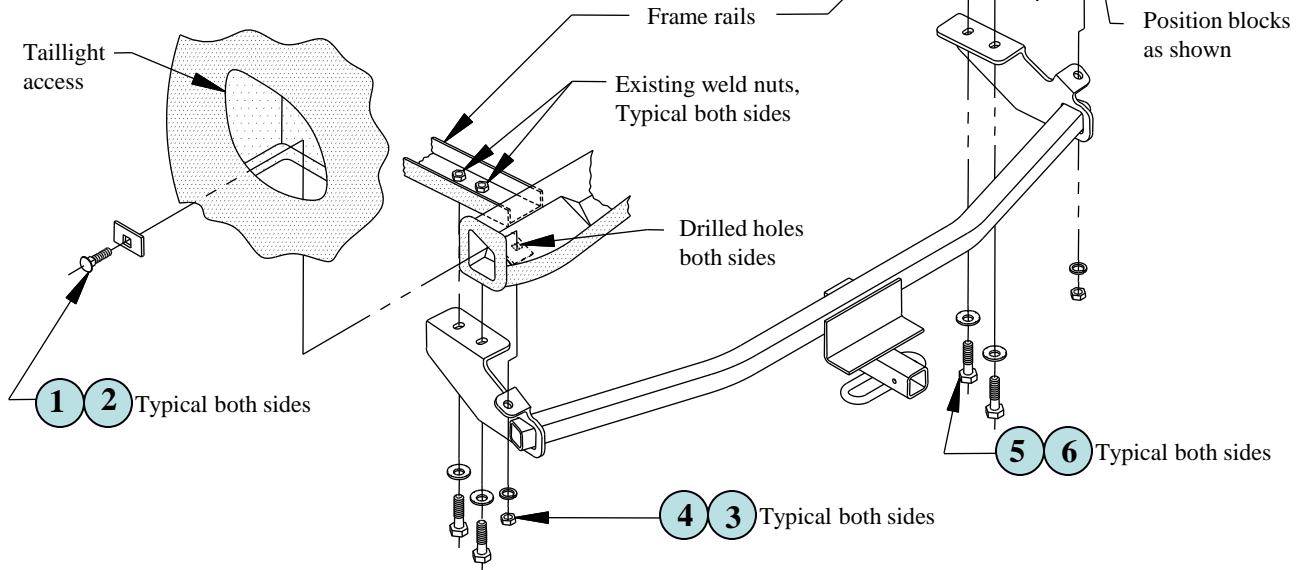
#### Equipment Required:

**Fastener Kit:** 24759N

**Wrenches:** 3/4", 15mm, 17mm

**Drill Bits:** 1/2"

**Screwdriver**



①	Qty. (2)	1/2"-13 X 1-3/4" Carriage bolt	④	Qty. (2)	1/2" Hex nut
②	Qty. (2)	1/4" X 1-1/2" X 2" Block	⑤	Qty. (4)	M10 X 1.50 X 35mm CL8.8 Hex bolt
③	Qty. (2)	1/2" Lock washer	⑥	Qty. (4)	3/8" Conical washer

1. Remove tow hooks if present. Return tow hooks & fasteners to owner.
2. Remove both taillights by removing screw at bottom of light cover.
3. Lower exhaust at (2) hangers, (1) at front and (1) at rear of muffler.
4. Position hitch as shown and install M10 fasteners provided.
5. Using hitch as a template, drill 1/2" holes in (2) places.
6. Fishwire carriage bolt and block through access holes in taillight openings, as shown.
7. Torque all fasteners to specifications shown below.
8. Re-install exhaust hangers and taillights.

Tighten all 1/2" fasteners with torque wrench to 75 Lb.-Ft.  
Tighten all M10 CL8.8 fasteners with torque wrench to 38 Lb.-Ft.

Note: check hitch frequently, making sure all fasteners and ball are properly tightened. If hitch is removed, plug all holes in trunk pan or other body panels to prevent entry of water and exhaust fumes. A hitch or ball which has been damaged should be removed and replaced. Observe safety precautions when working beneath a vehicle and wear eye protection. Do not cut access or attachment holes with a torch.

This product complies with safety specifications and requirements for connecting devices and towing systems of the state of New York, V.E.S.C. Regulation V-5 and SAE J684.